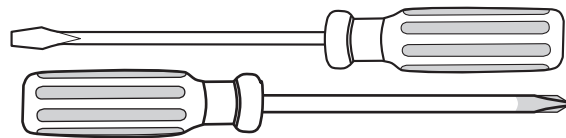
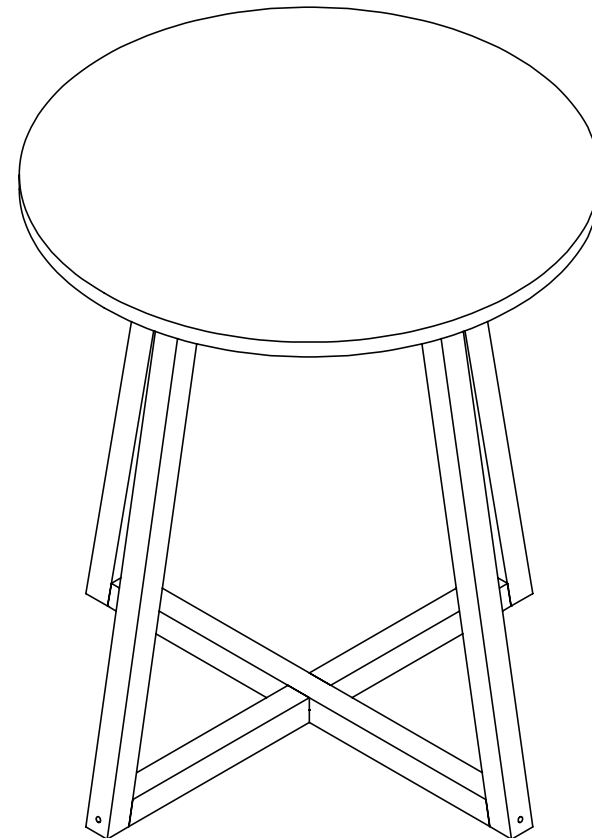
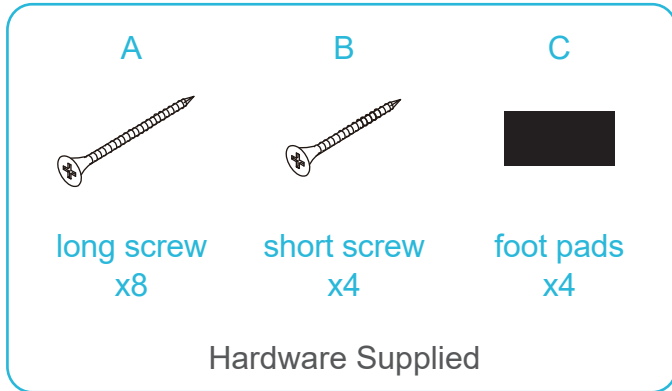


Zander Round Side Table

Assembly Instructions

Thank you for your purchase.
Please follow the instructions below for correct assembly.

mocka



Phillips & Flathead screwdrivers required.

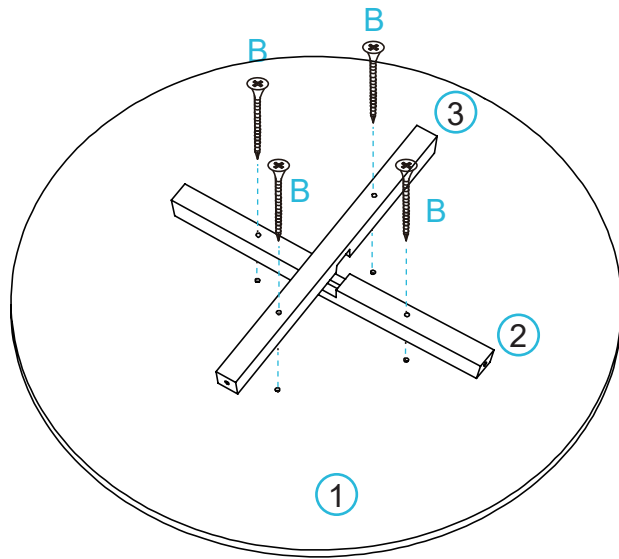
For quicker assembly, we recommend the use of a power drill on a low-speed setting.

Zander Round Side Table

Assembly Instructions

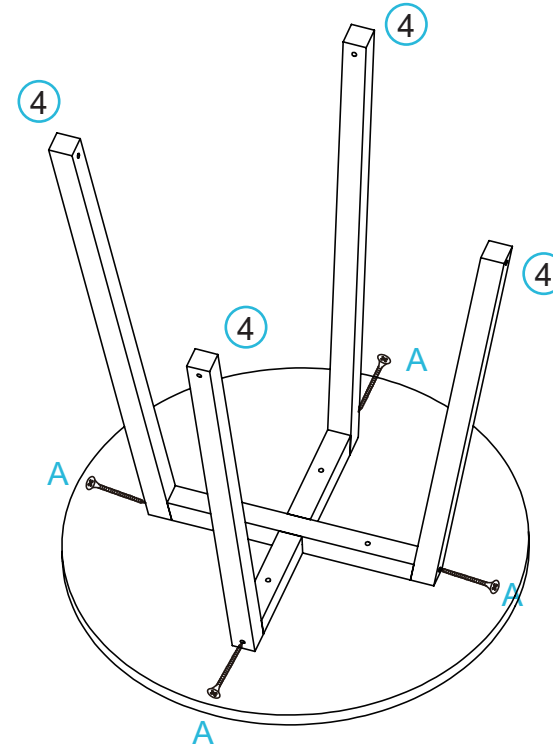
mocka

1



Attach panels [2] and [3] to panel [1] and secure with 4 x screws (B).
Tighten with a screwdriver.

2



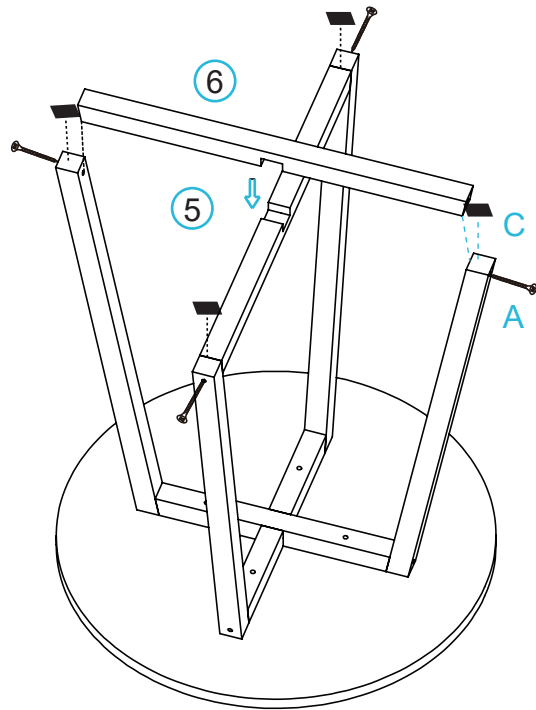
Attach 4 x legs [4] to assembled frame and secure with 4 x screws (A).
Tighten with a screwdriver.

Zander Round Side Table

Assembly Instructions

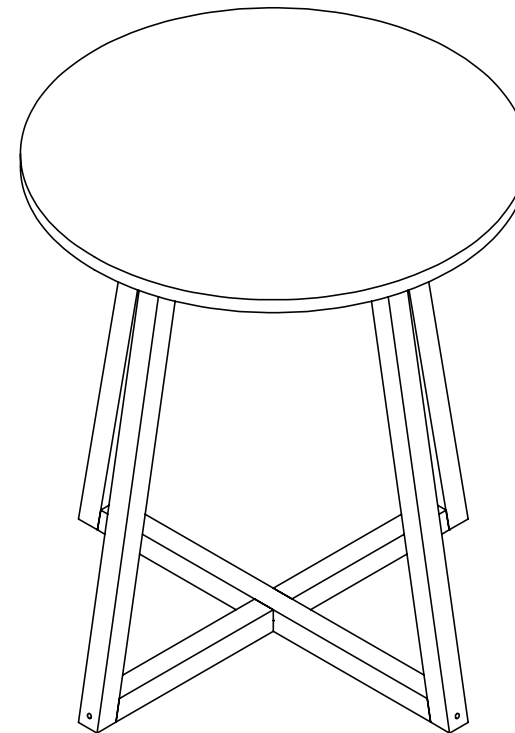
mocka

3



Attach panels [5] and [6] to assembled frame and secure with 4 x screws (A), attach 4 x footpads (C) as shown, Tighten with a screwdriver.

4



Lift the table into place, do not drag. You're done, enjoy!