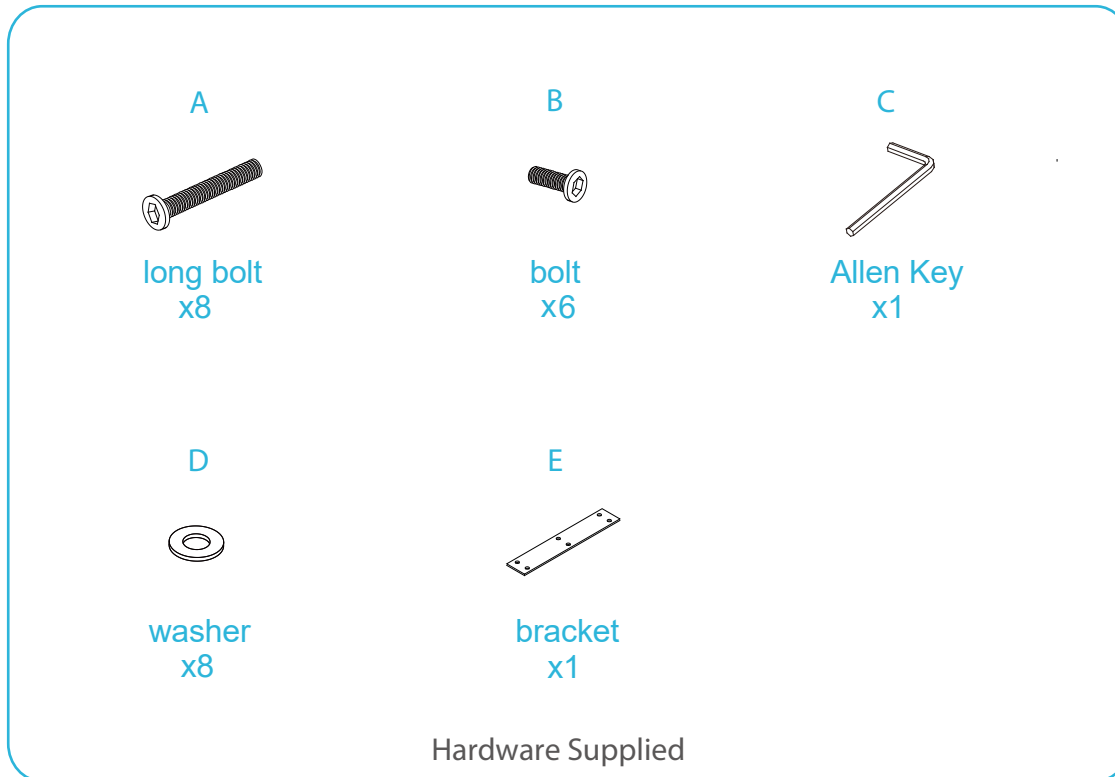


Zander Round Dining Table

Assembly Instructions

Thank you for your purchase. Please follow the instructions for correct assembly. While we took great effort to ensure these assembly instructions were correct at the time of printing, sometimes updates are required post production. For the most up to date versions please refer to the product page on our website. mocka.com.au/mocka.co.nz

mocka



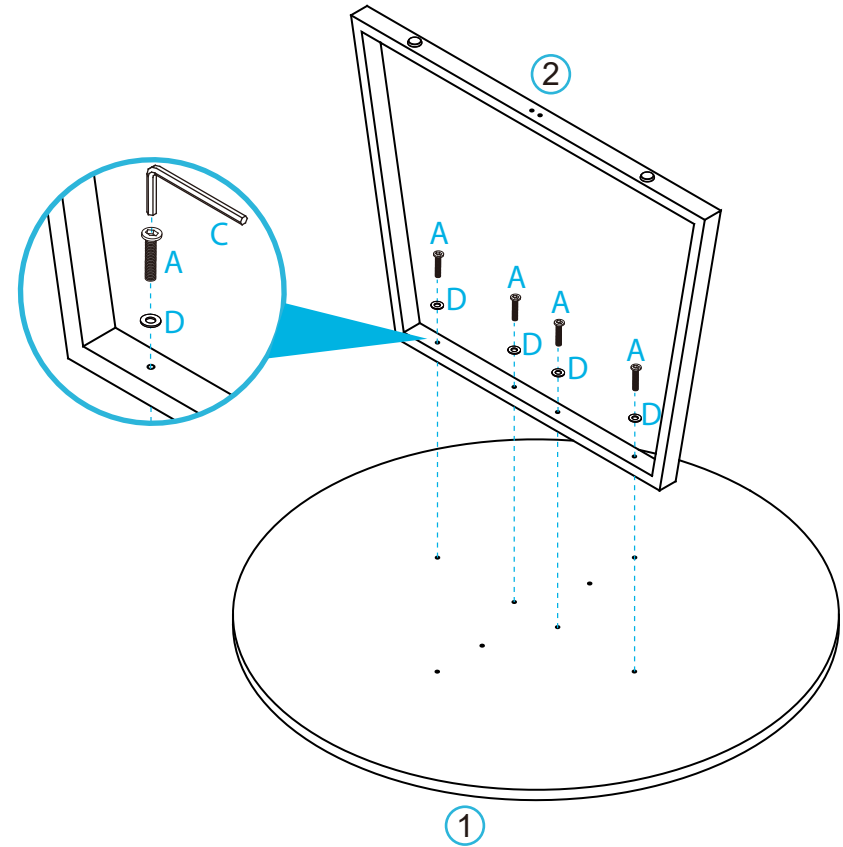
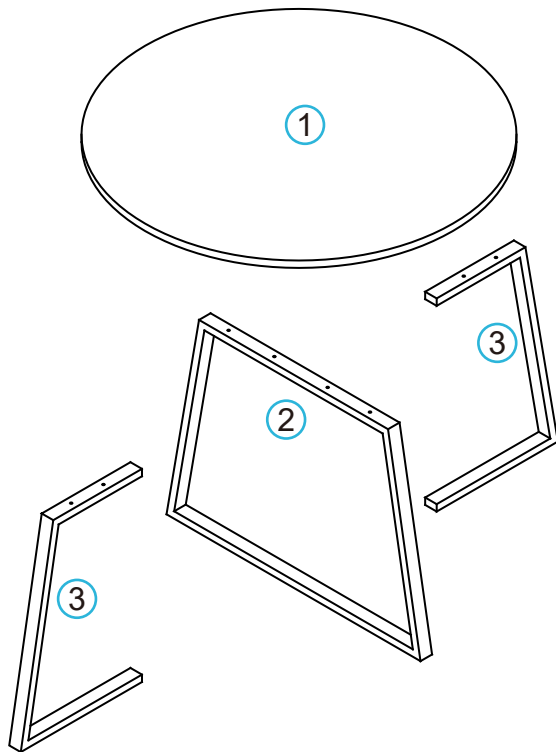
Zander Round Dining Table

Assembly Instructions

mocka

1

Panel layout



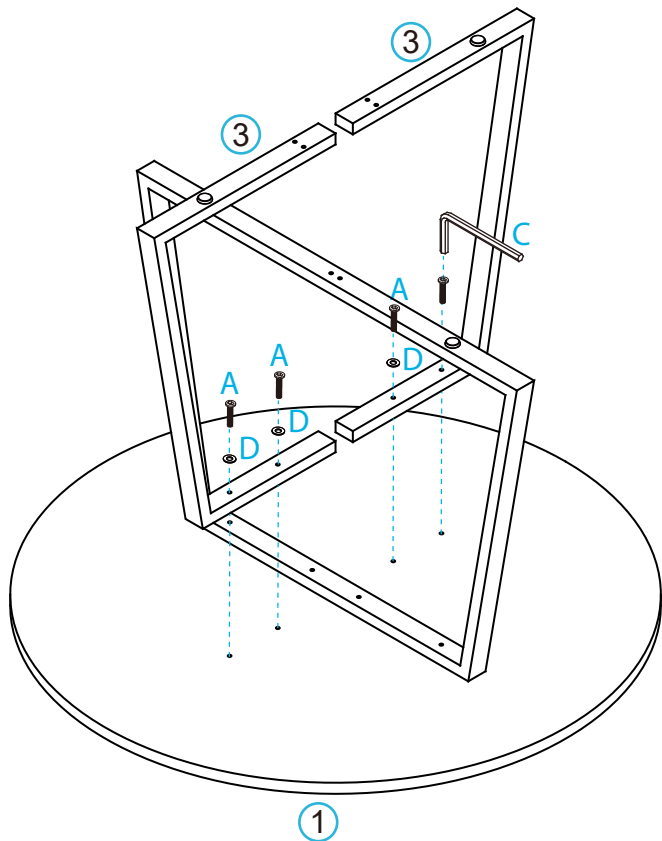
Attach panel [2] to panel [1] secure with 4x long bolts (A) and 4x washers (D). Tighten with an Allen key (C).

Zander Round Dining Table

Assembly Instructions

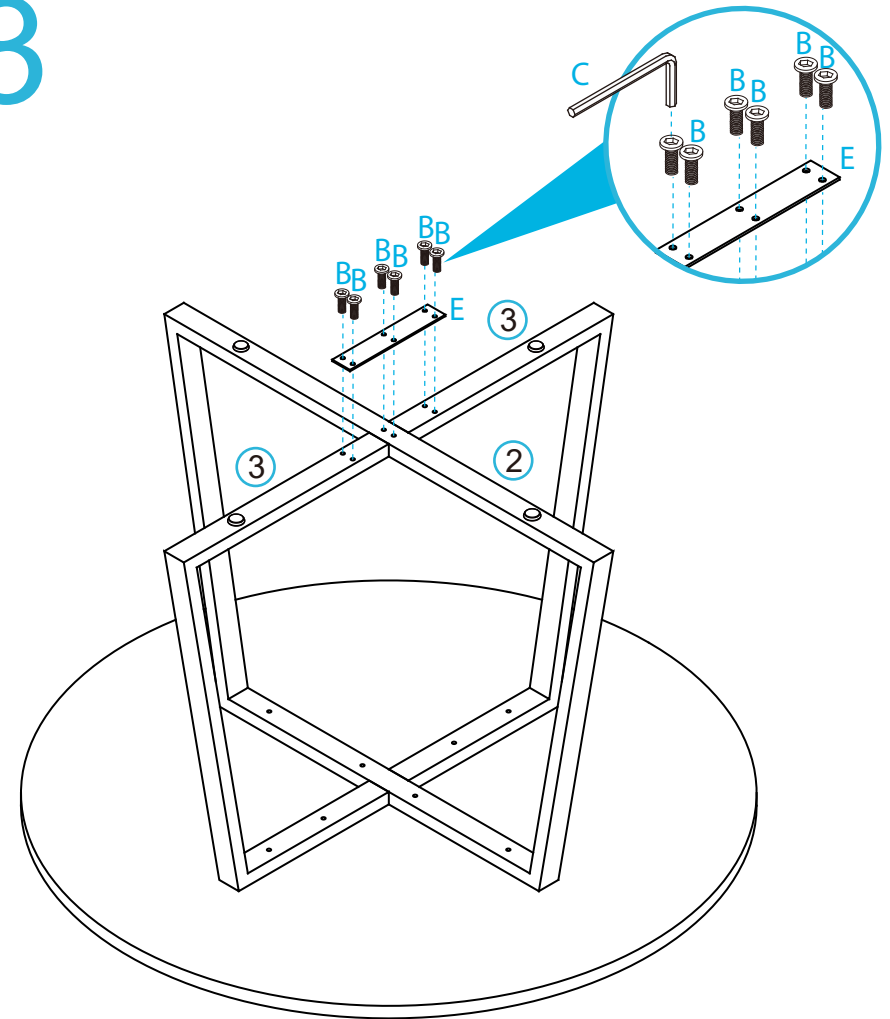
mocka

2



Attach panels [3] to panel [1] secure with 4x long bolts (A) and 4x washers (D). Tighten with an Allen key (C).

3



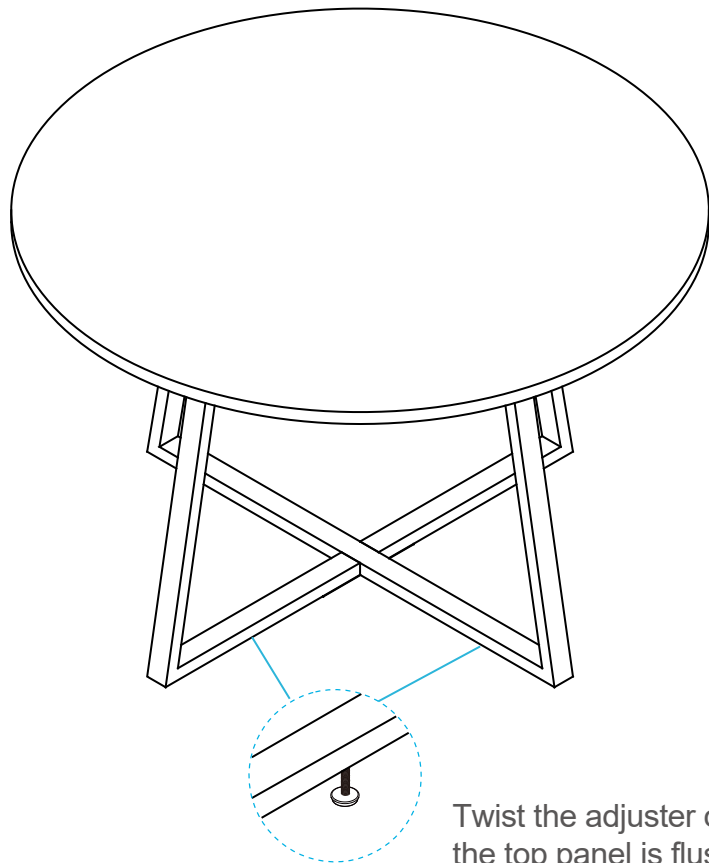
Attach use a bracket (E) to together panels [2] and [3] secure with 6x bolts (B). Tighten with an Allen key (C).

Zander Round Dining Table

Assembly Instructions

mocka

4



Once assembled lift furniture into place, do not drag. You're done, enjoy!