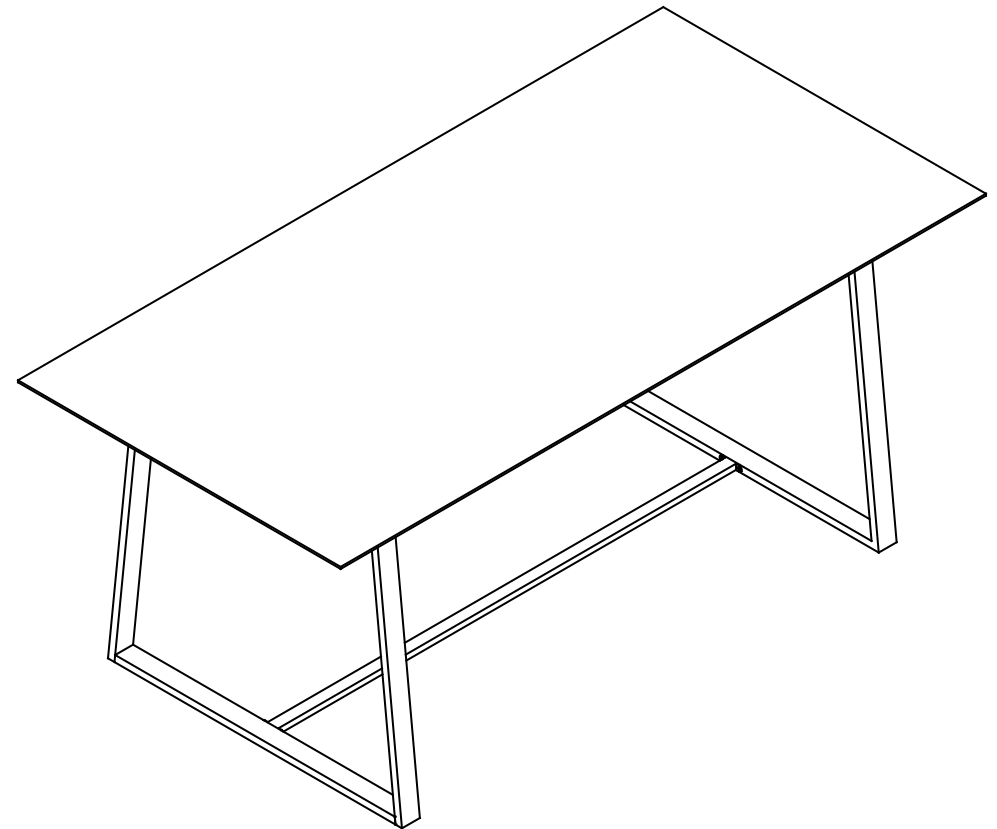
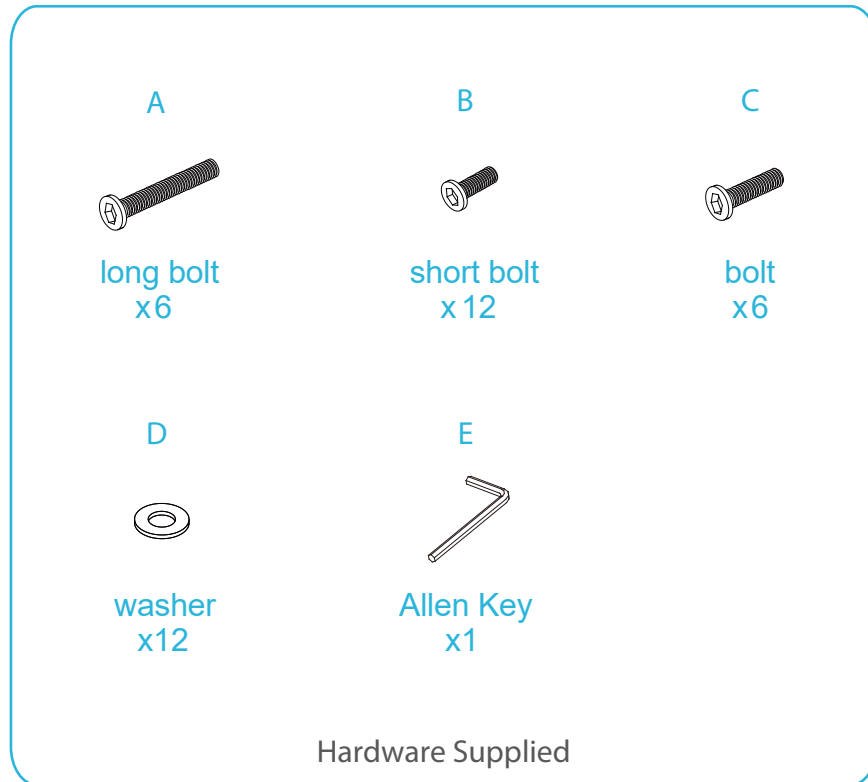


Zander Dining Table

Assembly Instructions

Thank you for your purchase. Please follow the instructions for correct assembly. While we took great effort to ensure these assembly instructions were correct at the time of printing, sometimes updates are required post production. For the most up to date versions please refer to the product page on our website. mocka.com.au/mocka.co.nz

mocka

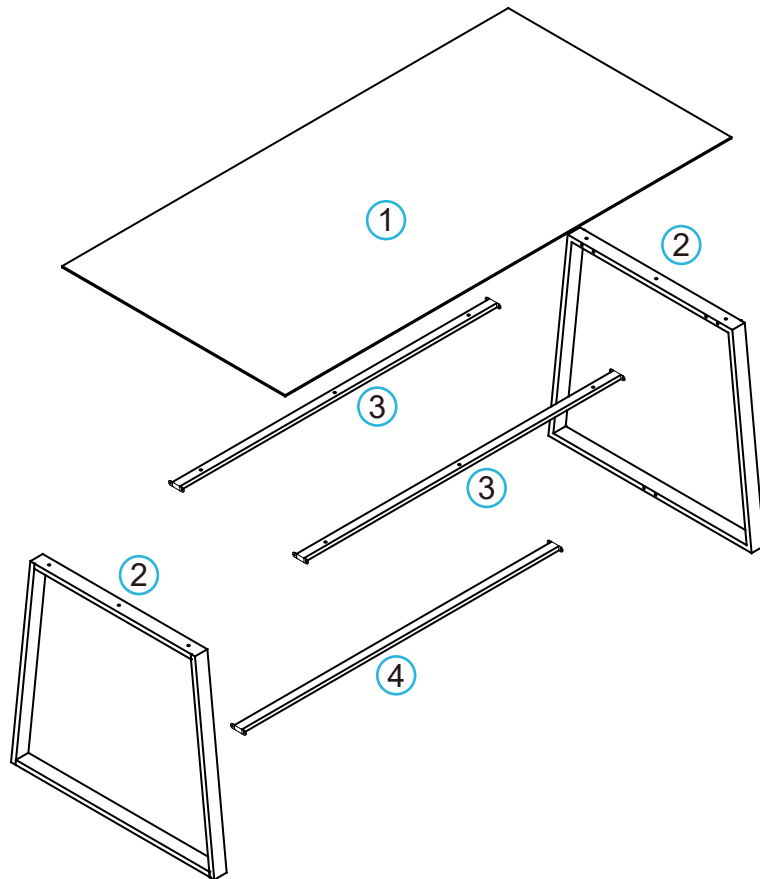


Zander Dining Table

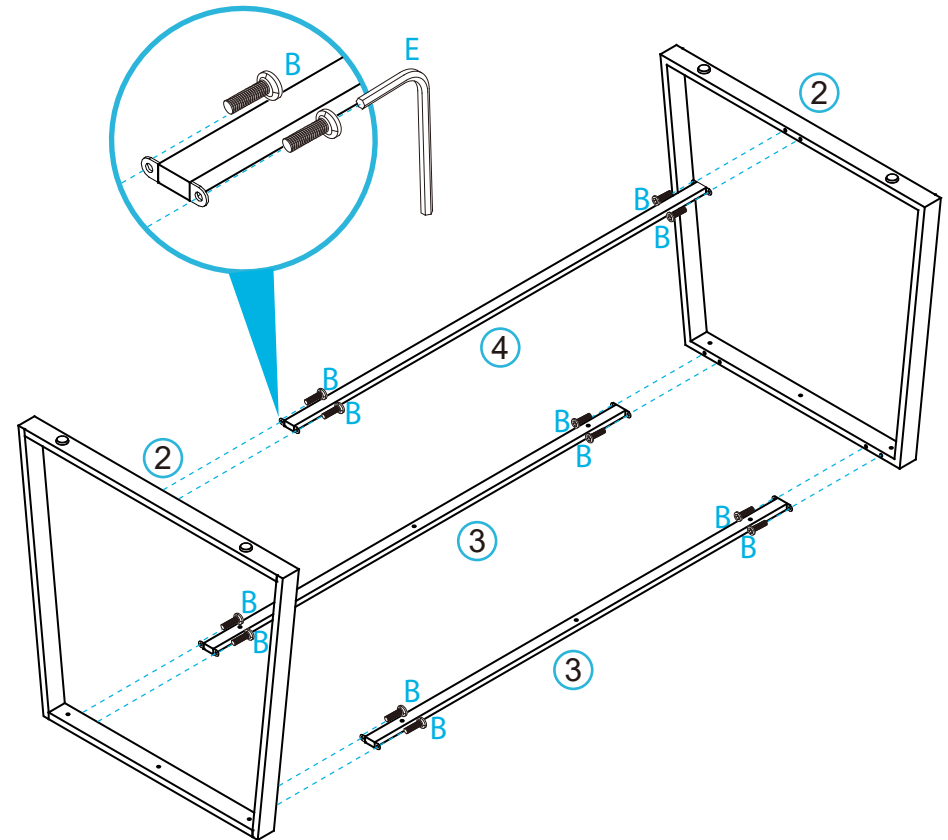
Assembly Instructions

mocka

Panel layout



1



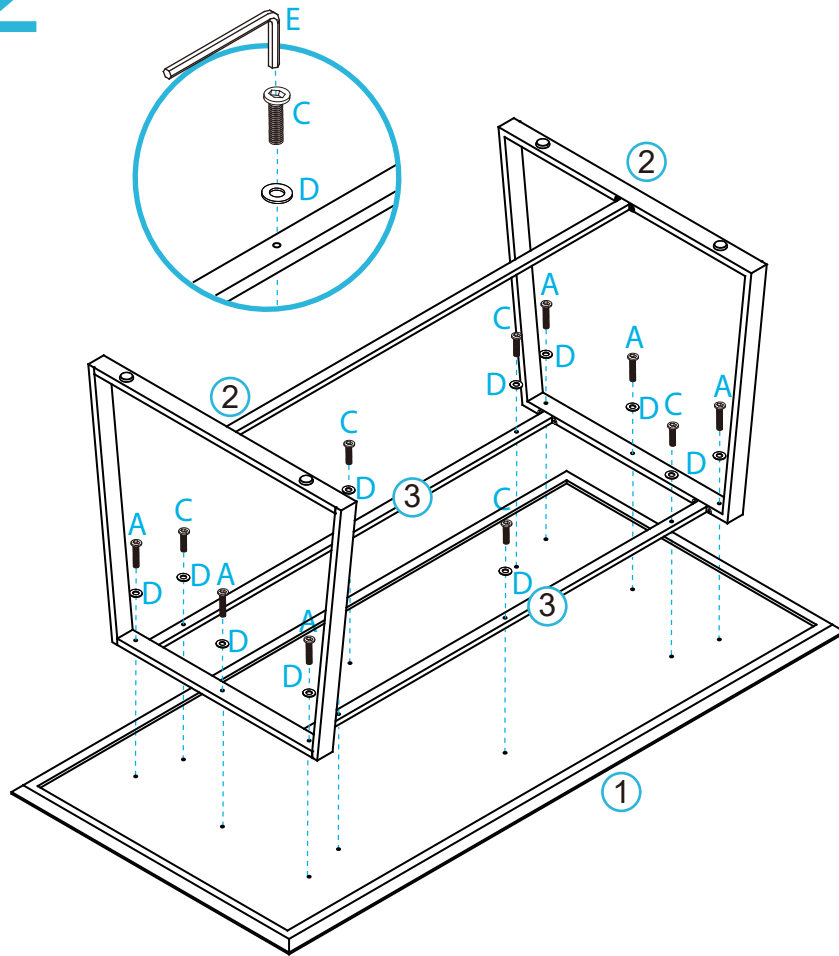
Attach panel [2] to panels [3] and [4] secure with 12x short bolts (B) and Tighten with an Allen key (E).

Zander Dining Table

Assembly Instructions

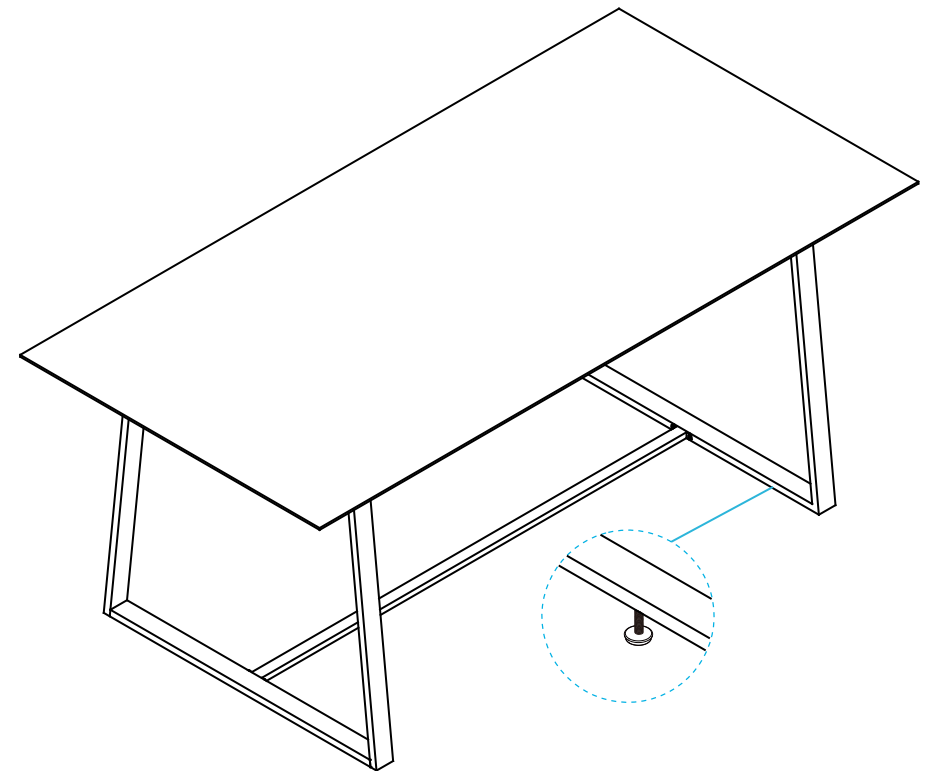
mocka

2



Attach panels [2] to panel [1] secure with 6x long bolts (A) and 6x washers (D). Tighten with an Allen key (E). Attach panels [3] to panel [1] secure with 6x bolts (C) and 6x washers (D). Tighten with an Allen key (E).

3



Twist the adjuster on leg to make the top panel is flush.

Once assembled lift furniture into place, do not drag. You're done, enjoy!