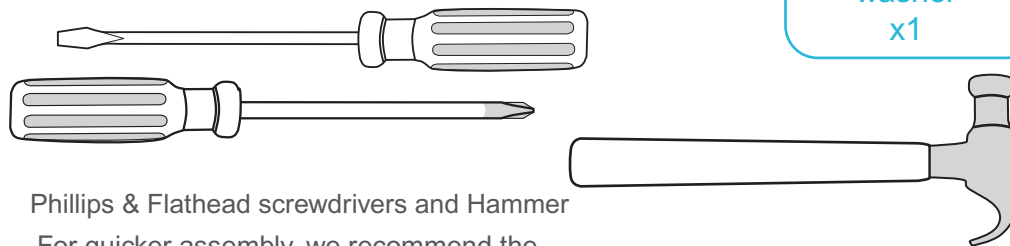
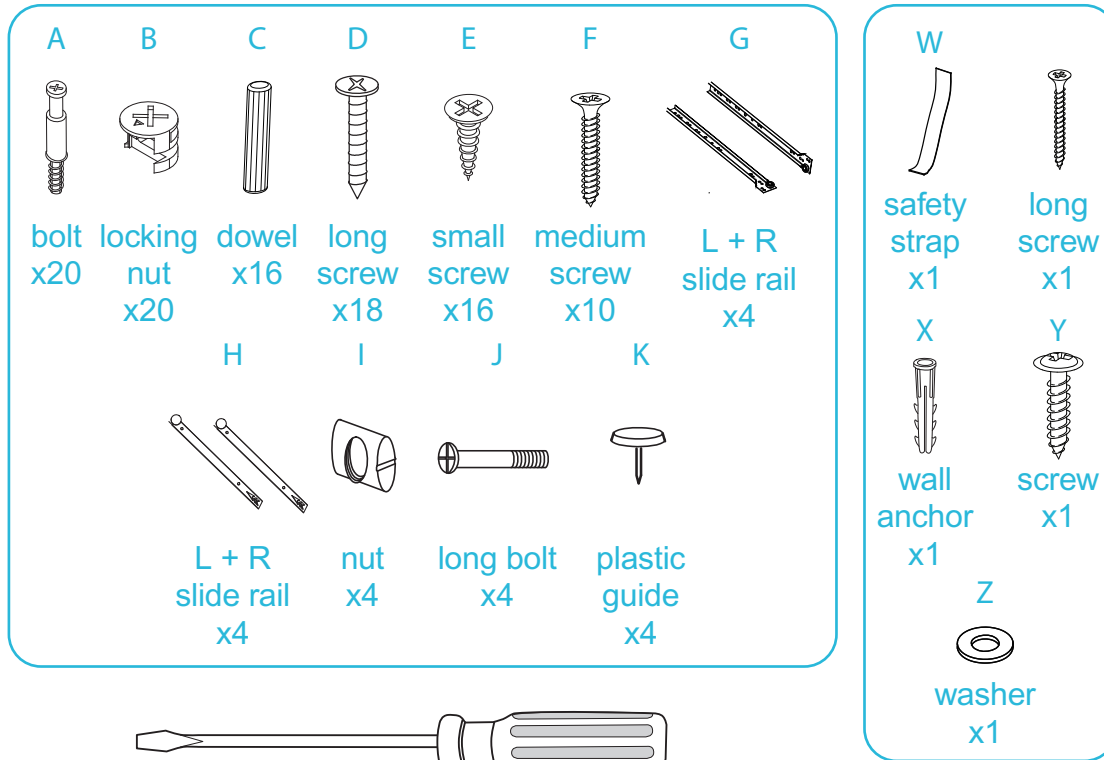


# Watson Entertainment Unit

## Assembly Instructions

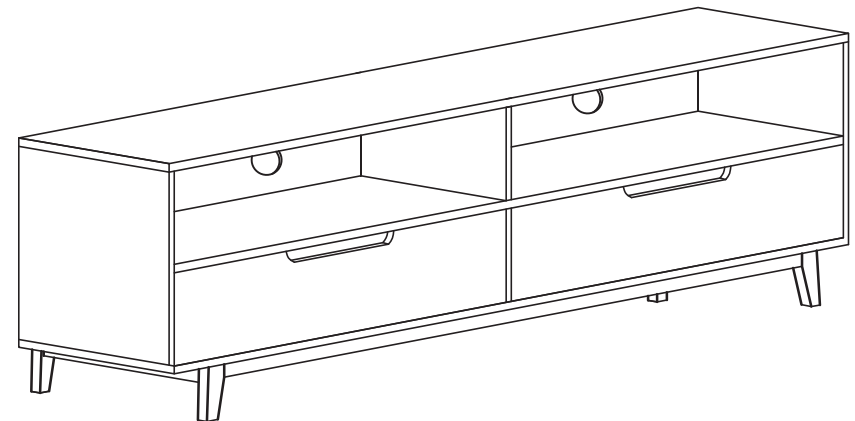
# mocka

Thank you for your purchase.  
Please follow the instructions below for correct assembly.



Phillips & Flathead screwdrivers and Hammer  
For quicker assembly, we recommend the use of a power drill on a low-speed setting.

**WARNING:** Any furniture that is not anchored to a wall has the potential to tip over in certain circumstances, i.e. if a child attempts to climb up on the furniture or in the event of an earthquake. Accordingly, we recommend that all furniture is anchored to a wall. We supply a free safety wall anchor with all furniture sold and we recommend these are used to prevent your product tipping. The fixing device provided should fit most wall types, but please note that different wall materials may require different fixing devices from those supplied.



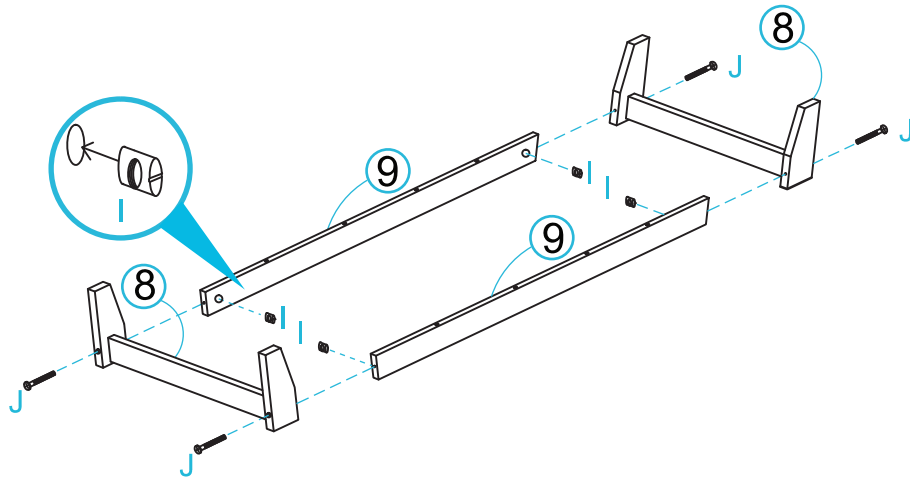
\*We recommend using a Flathead screwdriver to tighten all locking nuts 100% before first use.  
Please clear any loose wood from the locking nut holes before inserting the nut to ensure it locks 100%.

# Watson Entertainment Unit

## Assembly Instructions

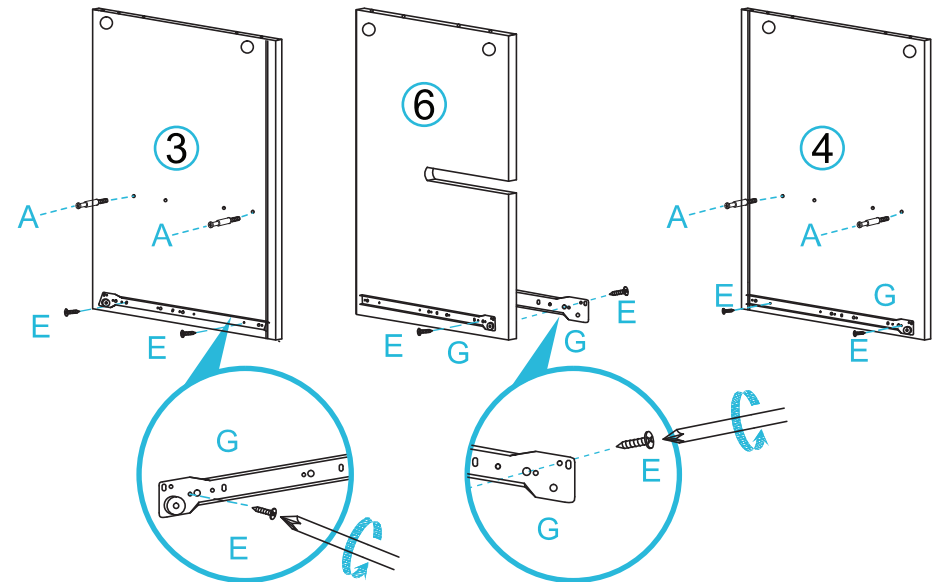
mocka

1



Insert 4 x nuts (I) into panel [9]. Attach panel [8] to panel [9] and secure with 4 x screws (J). Tighten with a screwdriver.

2



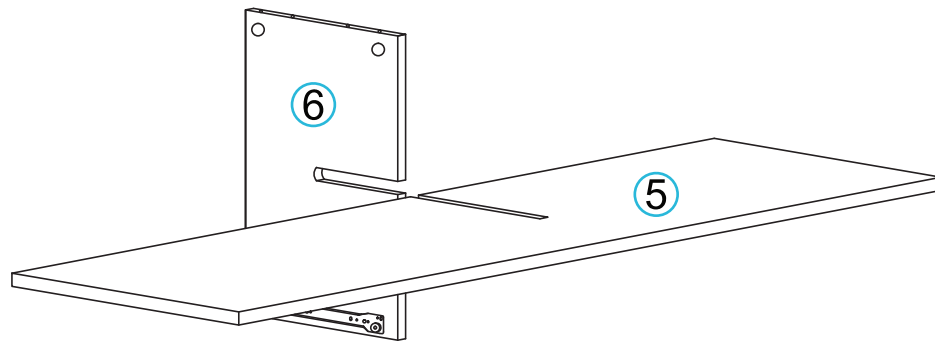
Insert 4 x bolts (A) into panels [3] and [4]. Attach 1 x left slide rail (G) to panel [3] and secure with 2 x small screw (E). Attach 1 x right slide rail (G) to panel [4] and secure with 2 x small screw (E). Attach 1 x left slide rail (G) to panel [6] and secure with 2 x small screw (E), flip panel over and attach 1 x right rail (G) to panel [6] and secure with 2 x small screw (E). Tighten with a screwdriver.

# Watson Entertainment Unit

## Assembly Instructions

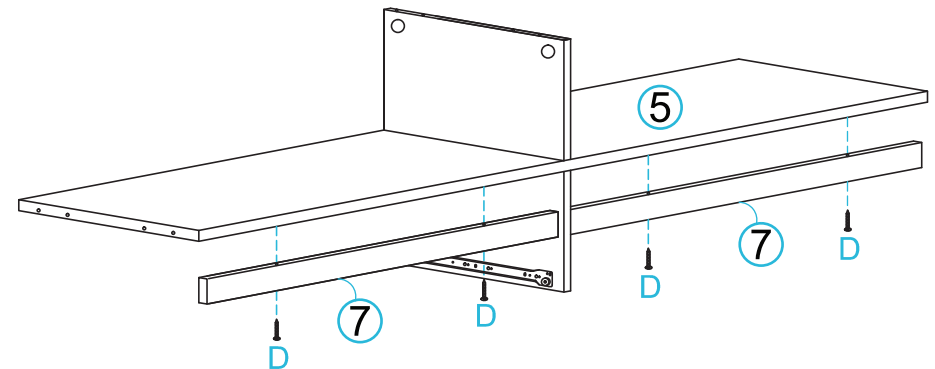
mocka

3



Slide panel [6] between the groove on panel [5] as shown.

4



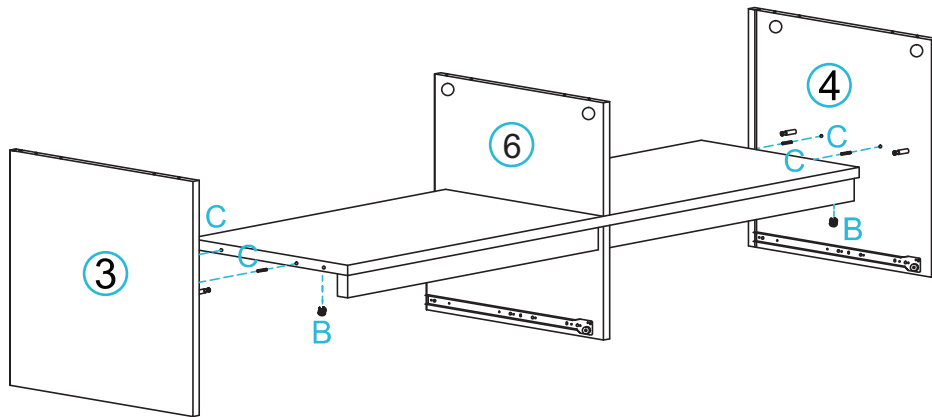
Attach panel [7] to panel [5] and secure with 4 x long screw (D). Tighten with a screwdriver.

# Watson Entertainment Unit

## Assembly Instructions

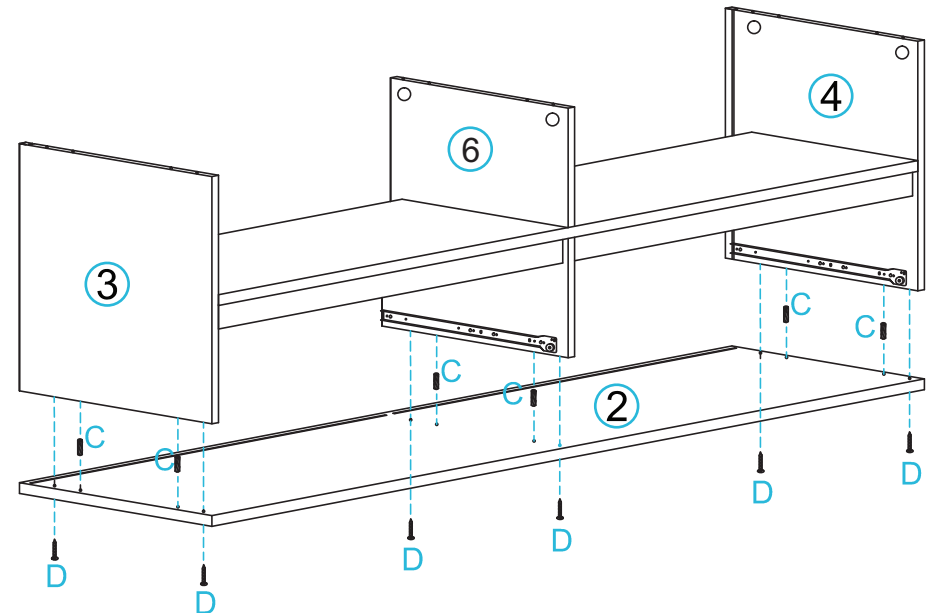
mocka

5



Insert 4 x dowels (C) into panels [3] and [4]. Attach panels [3], [4] and [6] and secure with 4 x locking nuts (B). Tighten with a screwdriver.

6



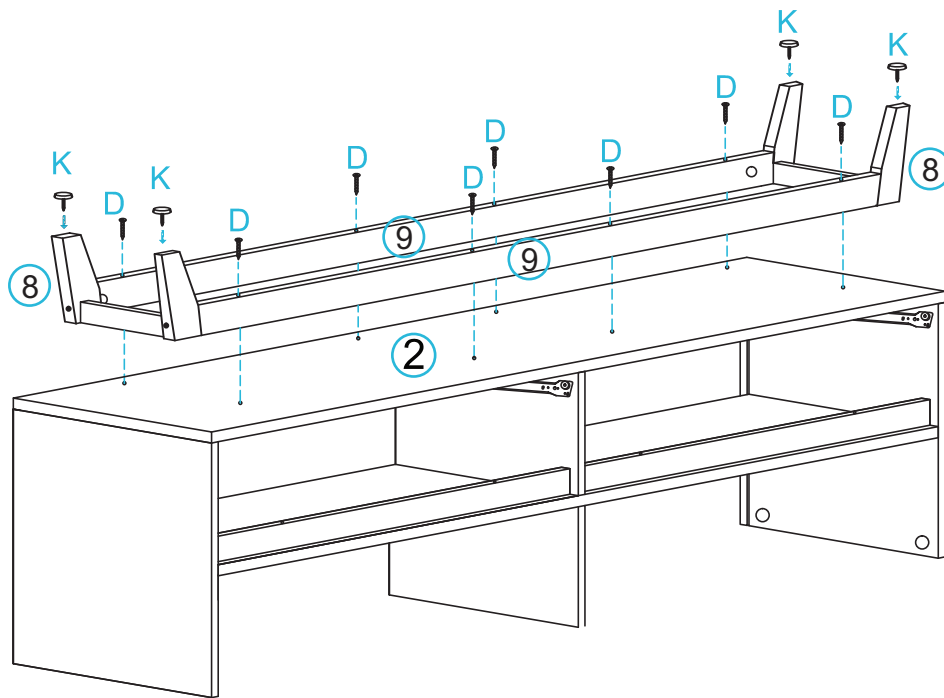
Insert 6 x dowels (C) into panel [2]. Attach panel [2] to panels [3], [4] and [6] and secure with 6 x long screws (D). Tighten with a screwdriver.

# Watson Entertainment Unit

## Assembly Instructions

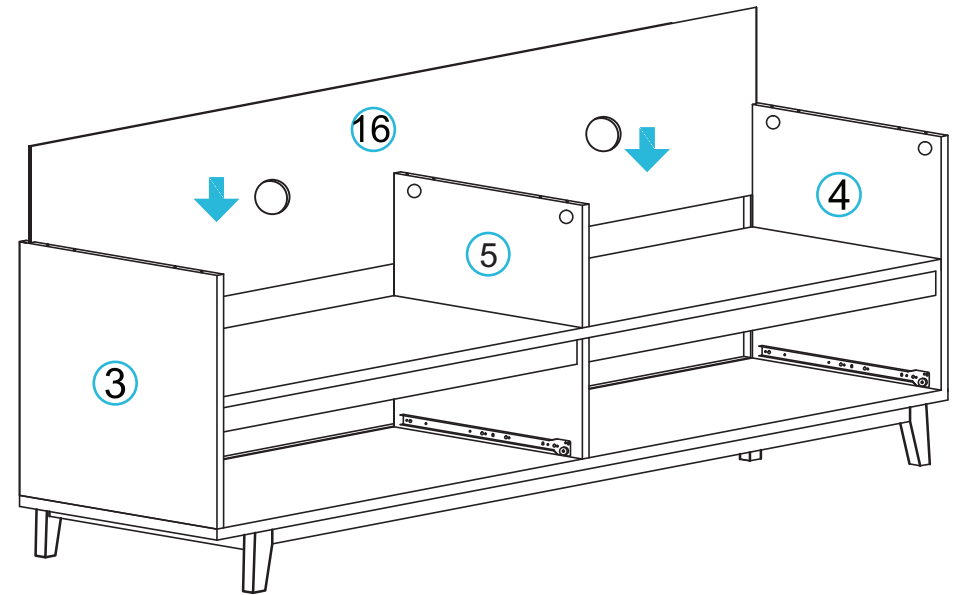
mocka

7



Attach panels [8] and [9] to panel [2] and secure with 8 x long screws (D). Tighten with a screwdriver. Attach 4 x plastic guides (K) to panel [8] with a hammer.

8



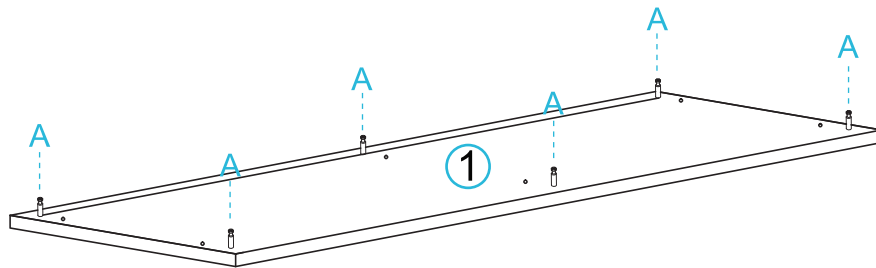
Slide panel [16] between the grooves on panels [3] and [4] to form the back of the unit as shown.

# Watson Entertainment Unit

## Assembly Instructions

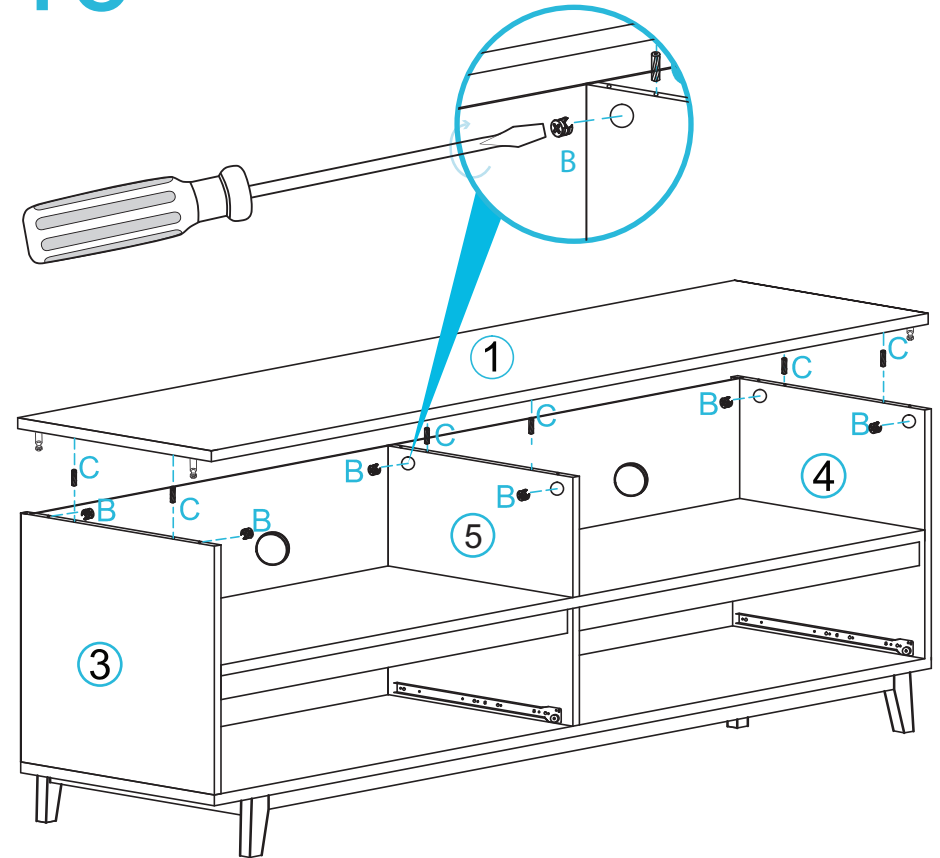
mocka

9



Insert 6 x bolt (A) into panel [1]. Tighten with a screwdriver.

10



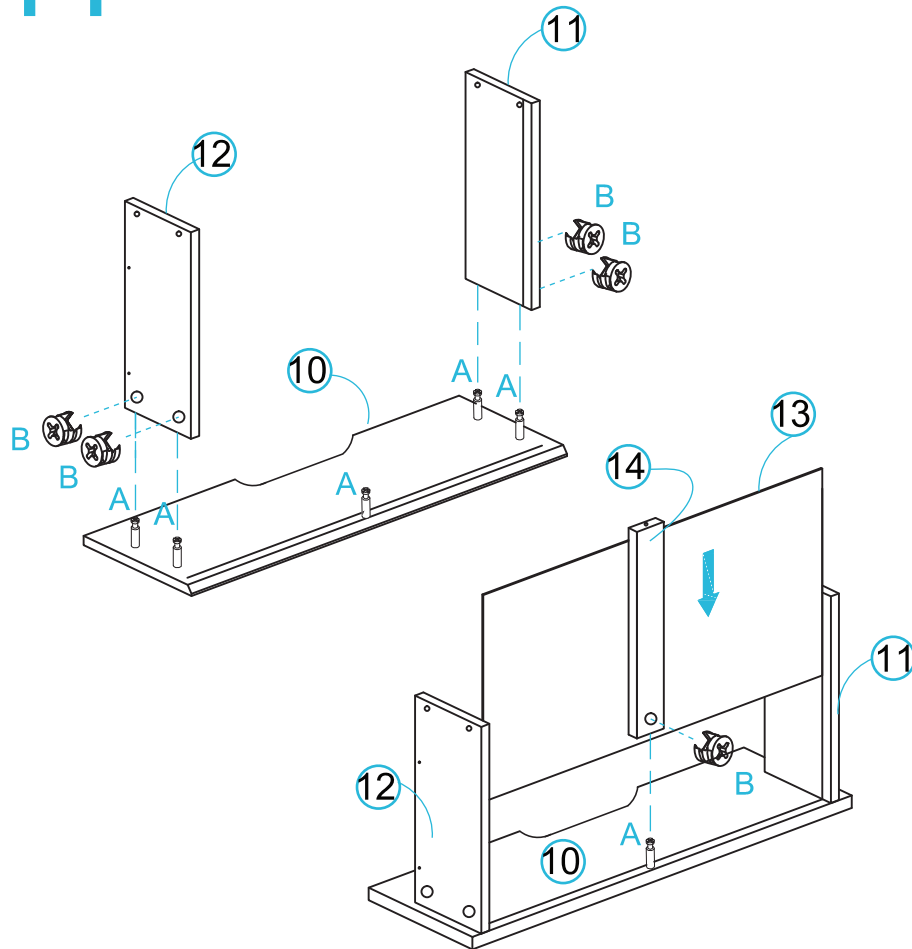
Fasten panel [1] to panels [3], [4] and [5] as shown and secure with 6 x dowel (C) and 6 x locking nut (B). Tighten with a screwdriver.

# Watson Entertainment Unit

## Assembly Instructions

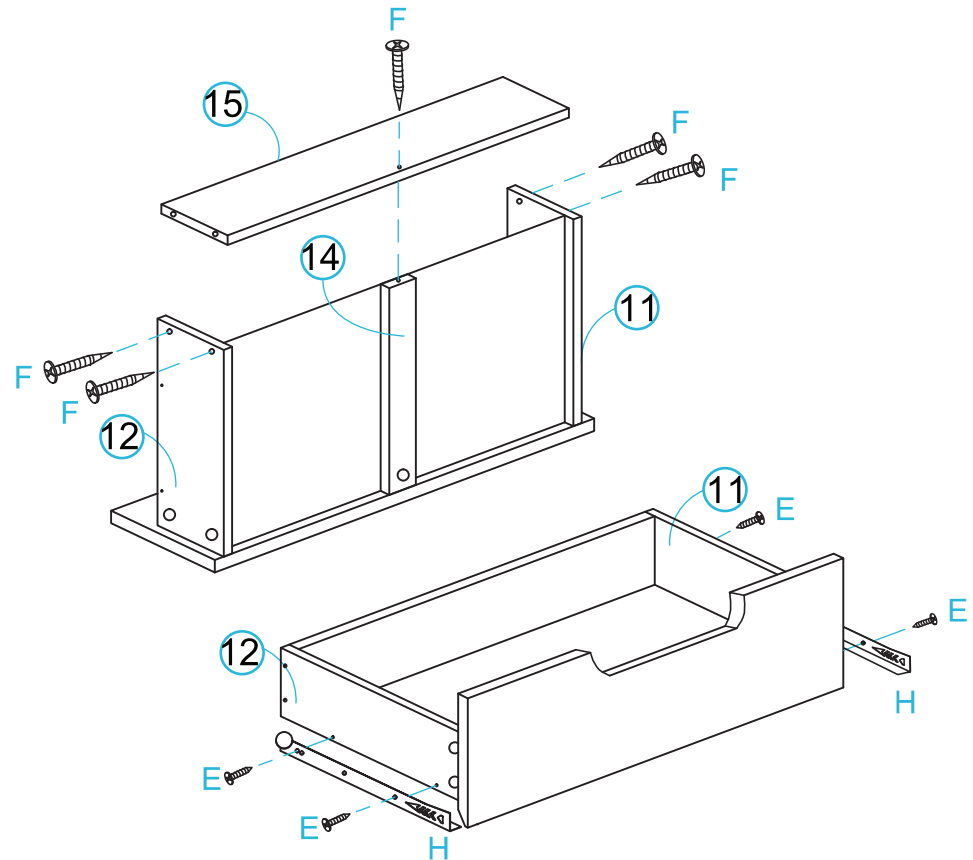
mocka

### 11 Drawer x 2



Insert 5 x bolts (A) into panel [10]. Attach panels [12] and [11] to panel [10] and secure with 4 x locking nuts (B). Slide panel [13] between the grooves on panels [12] and [11] to form the base of the drawer as shown. Attach panel [14] to panel [10] and secure with 1 x locking nut (B). Tighten with a screwdriver.

### 12 Drawer x 2



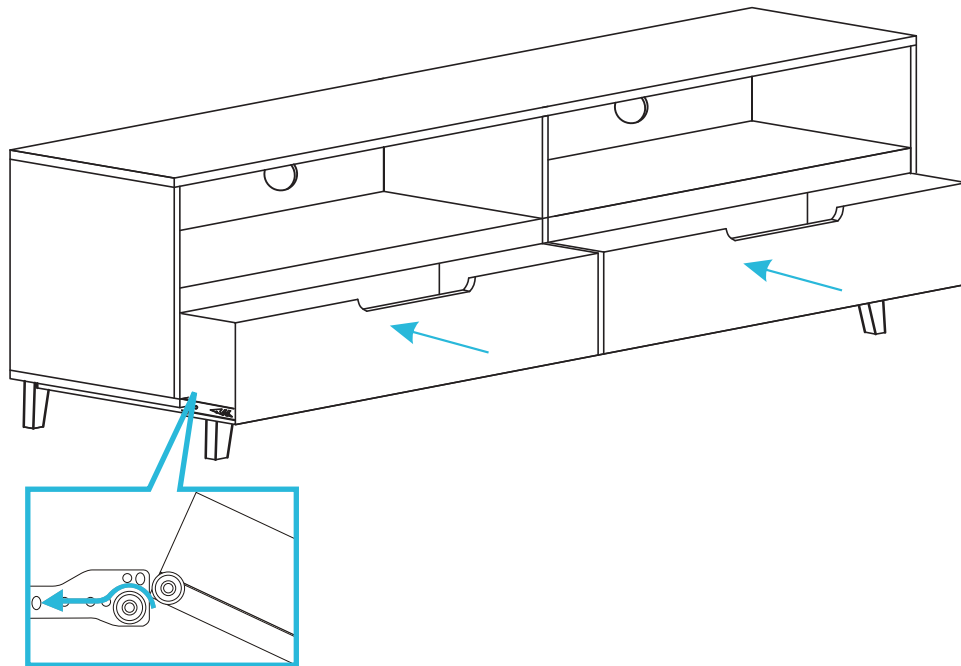
Attach panel [15] to panels [12], [11] and [14] and secure with 5 x medium screws (F). Attach 2 x slide rails (H) to panels [12] and [11] and secure with 4 x small screw (E). Tighten with a screwdriver.

# Watson Entertainment Unit

## Assembly Instructions

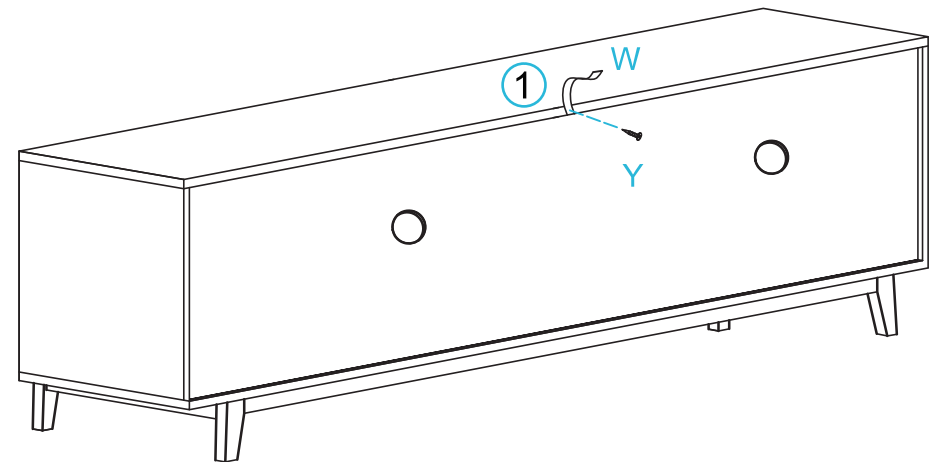
mocka

13



Insert each drawer into the unit as shown, ensuring they slide smoothly and easily along the rails.

14



Attach 1 x wall strap (W) to panel [1] using 1 x screw (Y). Tighten with a screwdriver.

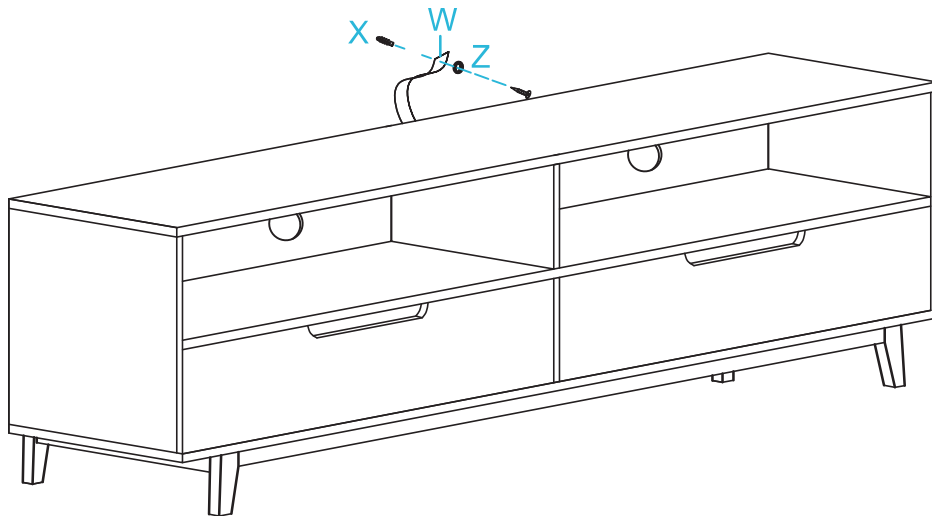


# Watson Entertainment Unit

## Assembly Instructions

mocka

15



Move the unit into the desired location up against a wall, do not drag. Use a drill to create a small hole lining up with the top of the 1 x safety strap (W) and secure with 1 x wall anchor (X), 1 x washer (Z) and 1 x long screw. Tighten with a screwdriver. Ensure the unit is balanced and steady before use. You're done, enjoy!