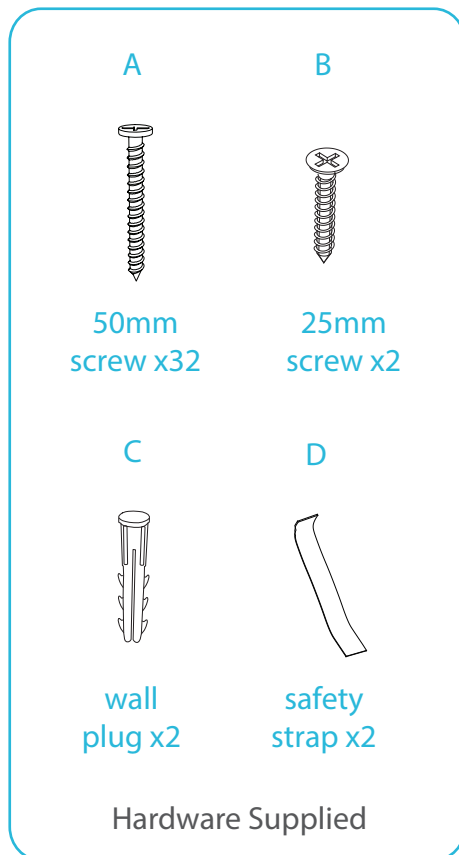


Vigo Shelf - Slim

Assembly Instructions

mocka

Thank you for your purchase.
Please follow the instructions below for correct assembly.

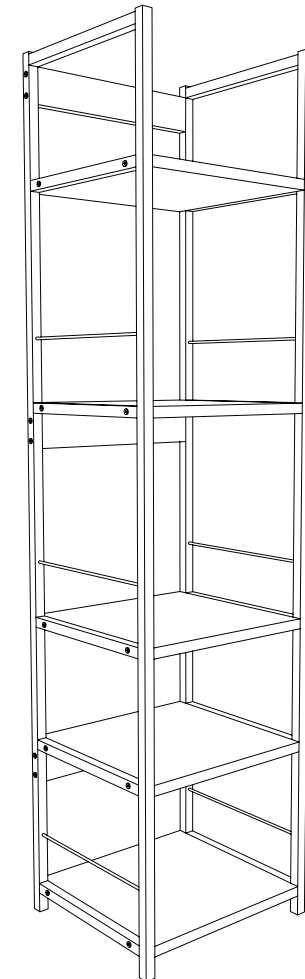


WARNING: Any furniture that is not anchored to a wall has the potential to tip over in certain circumstances, i.e. if a child attempts to climb up on the furniture or in the event of an earthquake. Accordingly, we recommend that all furniture is anchored to a wall. We supply a free safety wall anchor with all furniture sold and we recommend these are used to prevent your product tipping. The fixing device provided should fit most wall types, but please note that different wall materials may require different fixing devices from those supplied.

To ensure longevity of the wood please use a damp cloth only for cleaning.
Avoid use of household cleaners.



Phillips screwdriver required

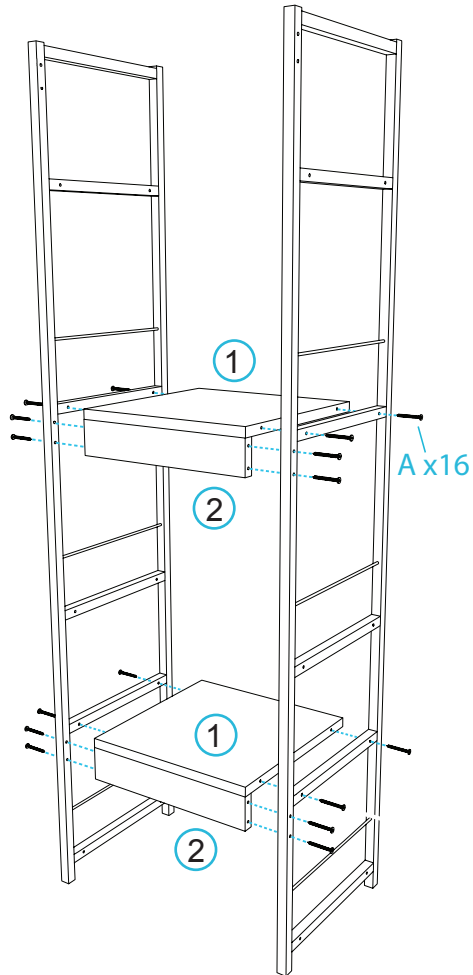


Vigo Shelf - Slim

Assembly Instructions

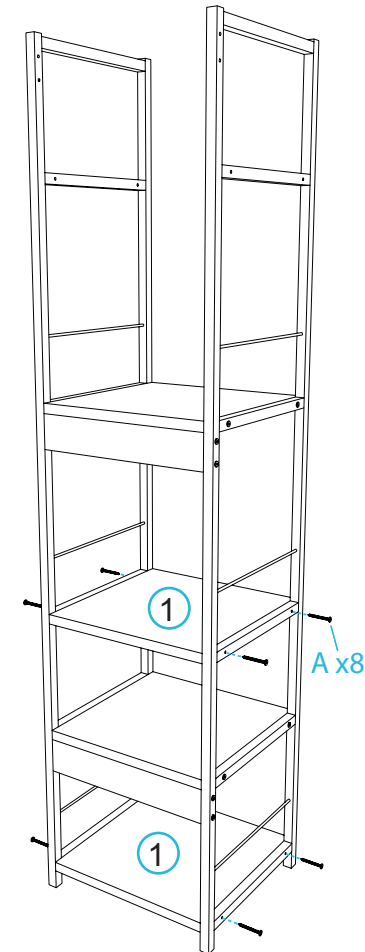
mocka

1



Bring together the legs of the shelf and attach the two lower back supports [2] with 4x screws (A) using a screwdriver. On the same level as the supports, attach a shelf [1] using 4x screws each. You may need two people to manage the first step.

2

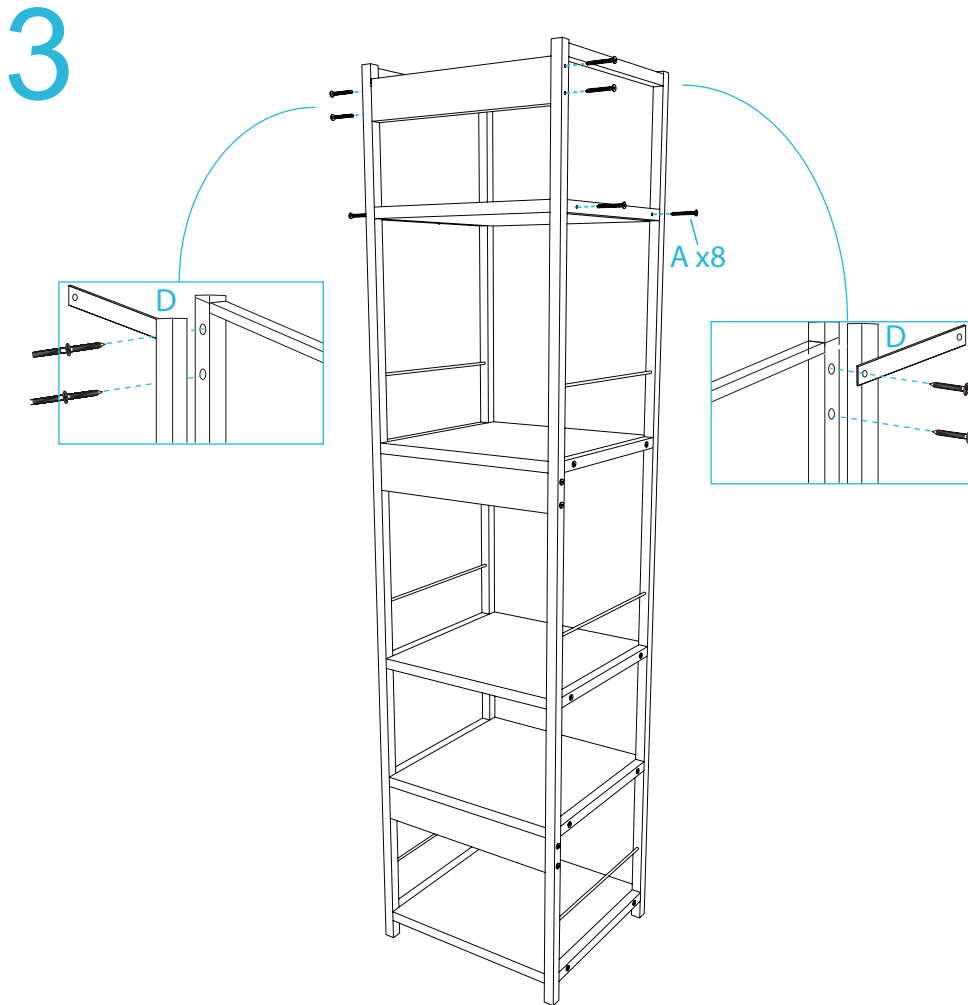


Attach the lowest shelf [1] and third shelf [1] using 4x screws (A) each.

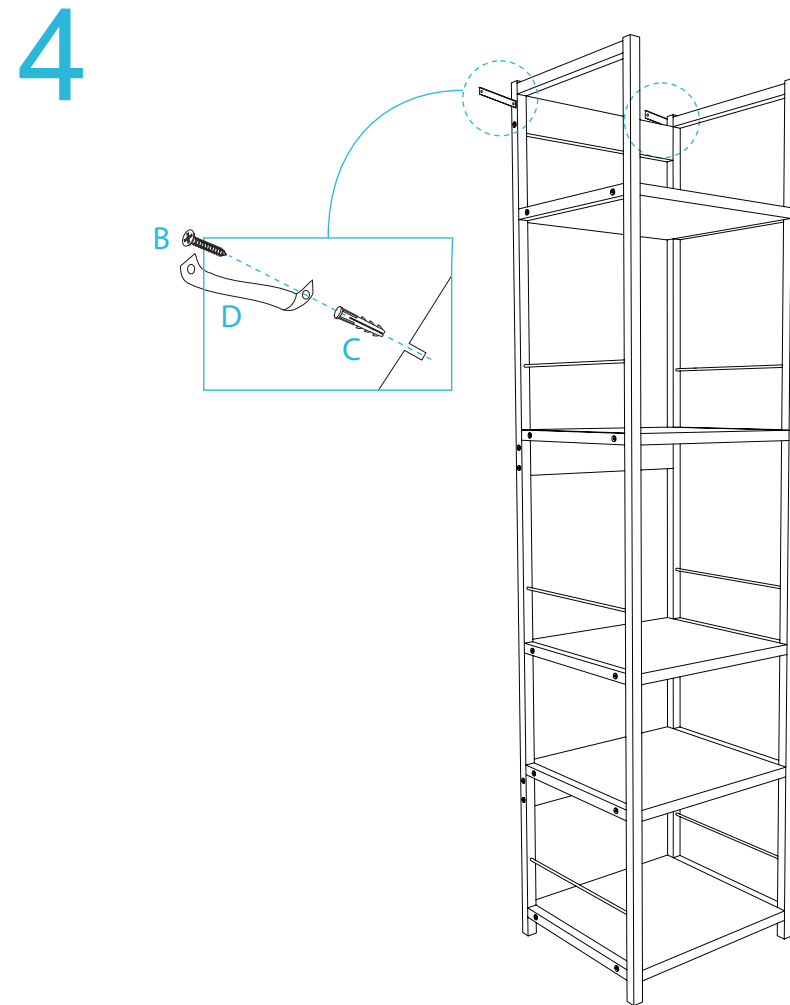
Vigo Shelf - Slim

Assembly Instructions

mocka



Attach the top shelf and the remaining support to the top with the last 8x screws (A), using 2x of them to secure the wall strap (D) as shown. Check over the shelf for stability and secure any loose screws, making sure not to overtighten. Once assembled lift furniture into place, do not drag.



Secure the other end of the safety strap (D) to the wall using 2x wall plugs (C) and 2x 25mm screws (B). All done! Regularly check all screws are secure but not overly tightened. Enjoy!