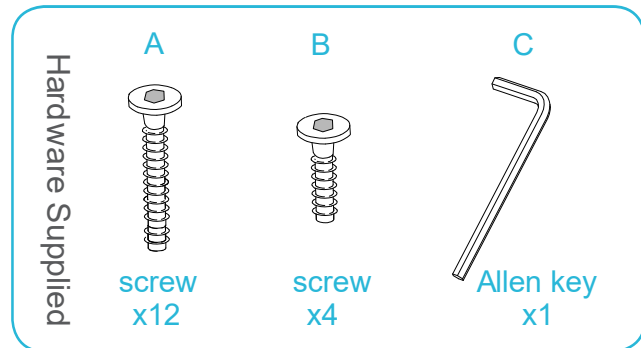


# Vermont Cot

## Assembly Instructions

Thank you for your purchase.  
Please follow the instructions below for correct assembly.



Ensure the cot is placed at a reasonable distance from curtains, blinds, heaters and power points. Keep all medications, string, elastic, small toys or small items, such as money, out of reach from any position in the cot.

### Assembly

Care must be taken when attaching sides. Do not over-tighten screws as this can cause damage to the cot.

### Care and Maintenance

Regularly check all screws for tightness or damage that could render the cot unsafe. To clean - use a damp cloth, avoiding the use of detergents or abrasives.

### Recommended mattress size

This cot has been manufactured for use with a mattress which measures 1300mm long x 690mm wide x 100mm in thickness. The width and length are specified because it is important that gaps between the mattress and the sides and ends of the cot will not exceed 40mm. This is to minimize the risk of a child's limb becoming caught in the gap. The thickness of the mattress has been specified to ensure that the depth of the cot is greater than 500mm with the mattress base in the lower position to minimize the risk of a child climbing or falling out of the cot.

# mocka



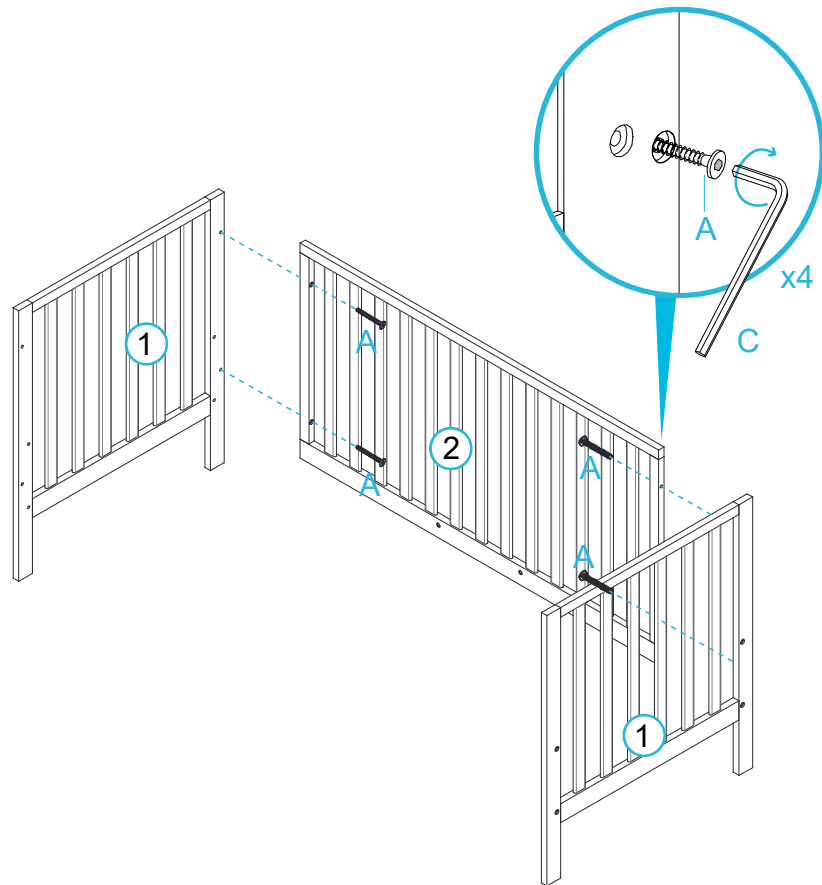
**WARNING:** TO PREVENT FALLS, THE MATTRESS BASE OF THIS COT SHOULD BE ADJUSTED TO THE LOWEST POSITION BEFORE THE CHILD CAN SIT UP

# Vermont Cot

## Assembly Instructions

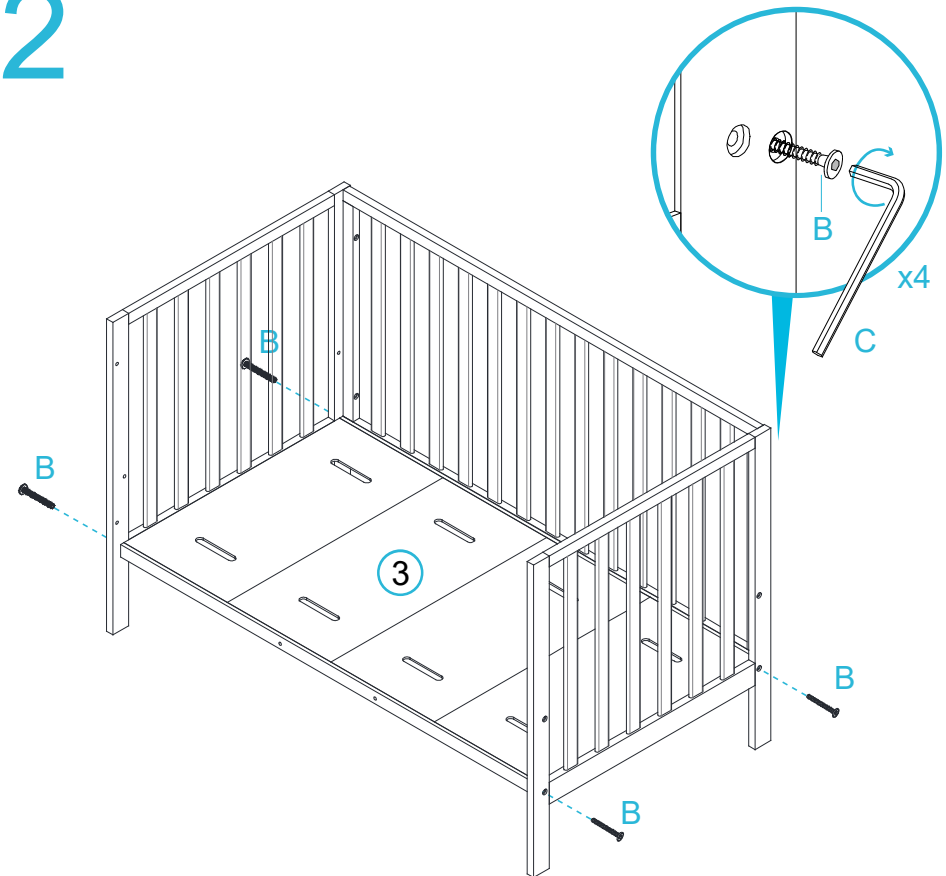
mocka

1



Attach 2 x panels [1] to panel [2] and secure with 4 x screws (A). Tighten with an allen key (C).

2



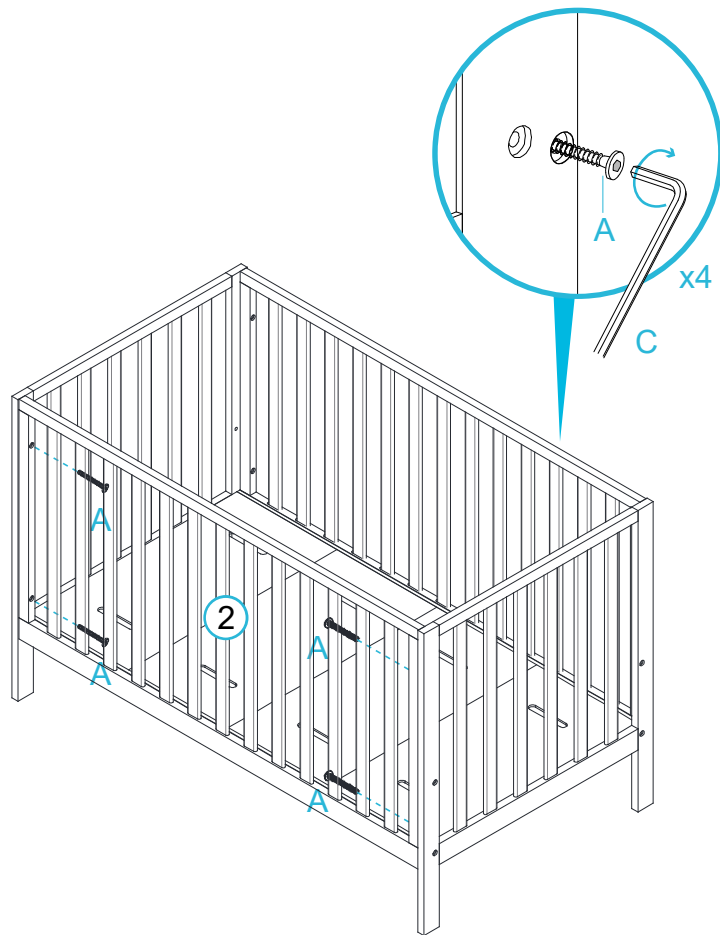
Attach the cot mattress base at the required level using 4x screws (B) as shown. Tighten all screws using the allen key (C).

# Vermont Cot

## Assembly Instructions

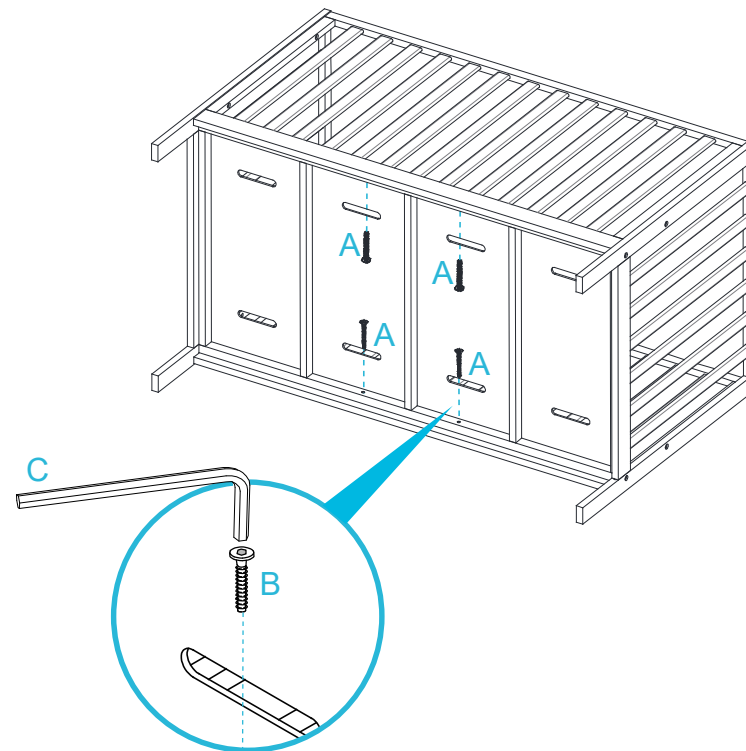
mocka

3



Slide the remaining side panel into place and attach using 4x screws (A) in the holes as shown. Tighten all screws using the allen key (C).

4



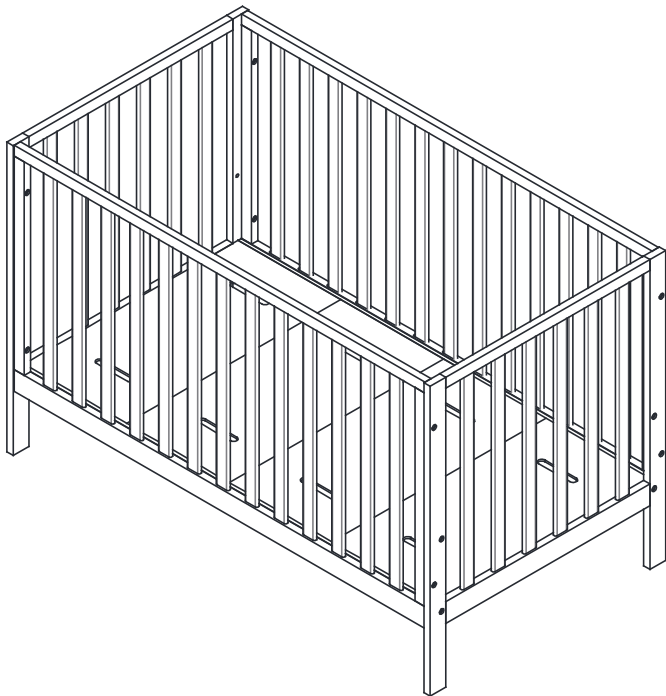
Turn the cot on the side and secure the base with 4x screws (B) in the holes as shown. Tighten all screws using the allen key (C).

# Vermont Cot

## Assembly Instructions

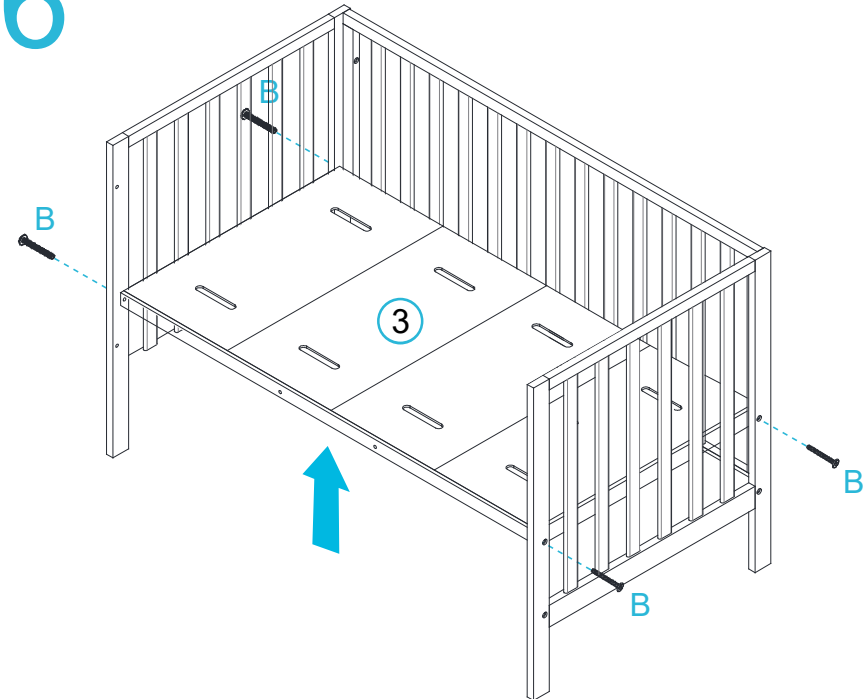
mocka

5



All done! Regularly check all screws are suitably tightened. Place the correct size mattress into the cot before use. To clean use a damp cloth, avoiding the use of detergents or abrasives. Once assembled lift furniture into place, do not drag.

6



**OPTIONAL/ MATTRESS HEIGHT ADJUSTMENT** (please keep these instructions handy for future reference)

To adjust mattress base settings, remove small plastic plugs. This will require a small amount of force, please note these are not screws and cannot be screwed out. You will need a screwdriver/ that fits into the centre hole and possibly a hammer, or similar, to gently tap the end until the plug pops out.

Repeat steps 2, 3 and 4 by removing the side panel and moving the base to corresponding holes. Securely attach again in the adjusted position.