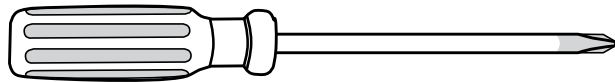
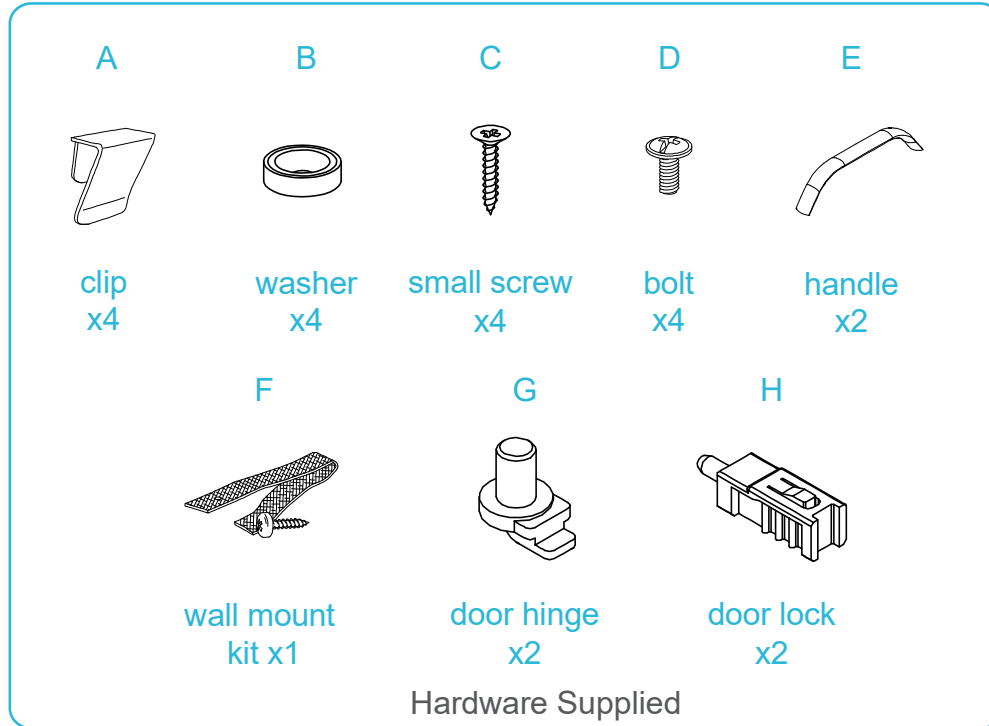


Two Door Storage Locka

Assembly Instructions

mocka

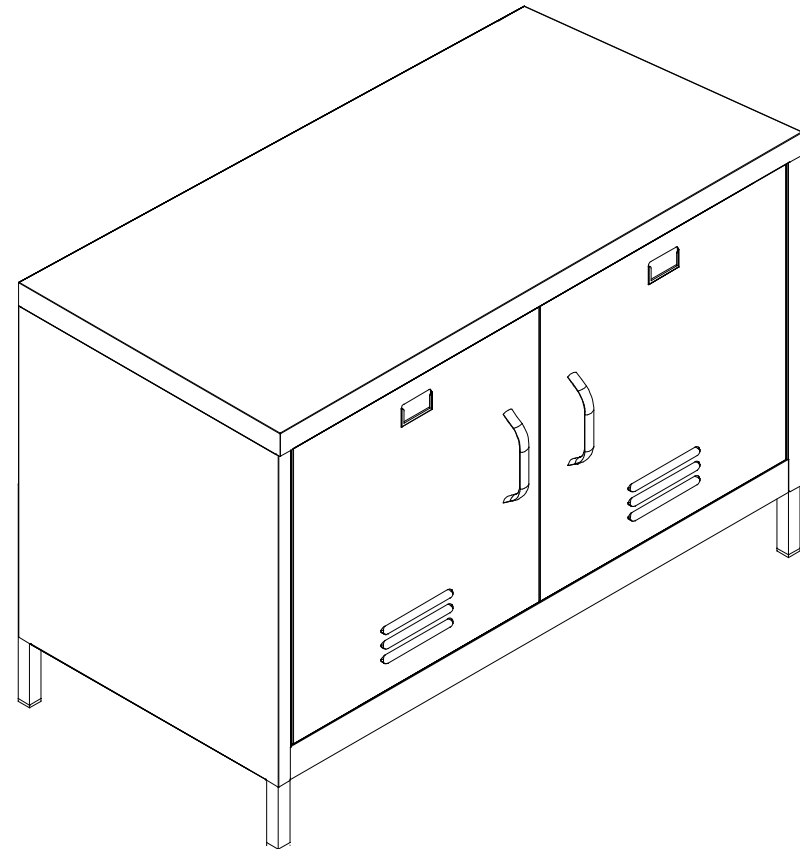
Thank you for your purchase.
Please follow the instructions below for correct assembly.



Phillips screwdriver required

For quicker assembly, we recommend the use of a power drill on a low-speed setting.

WARNING: Any furniture that is not anchored to a wall has the potential to tip over in certain circumstances, i.e. if a child attempts to climb up on the furniture or in the event of an earthquake. Accordingly, we recommend that all furniture is anchored to a wall. We supply a free safety wall anchor with all furniture sold and we recommend these are used to prevent your product tipping. The fixing device provided should fit most wall types, but please note that different wall materials may require different fixing devices from those supplied.

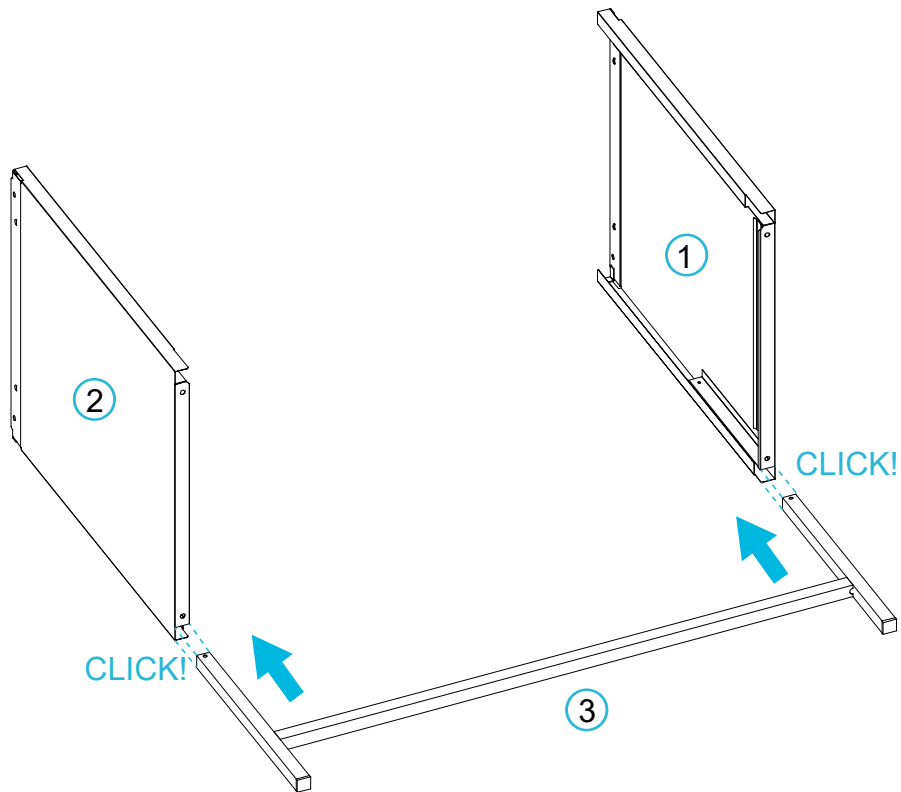


Two Door Storage Locka

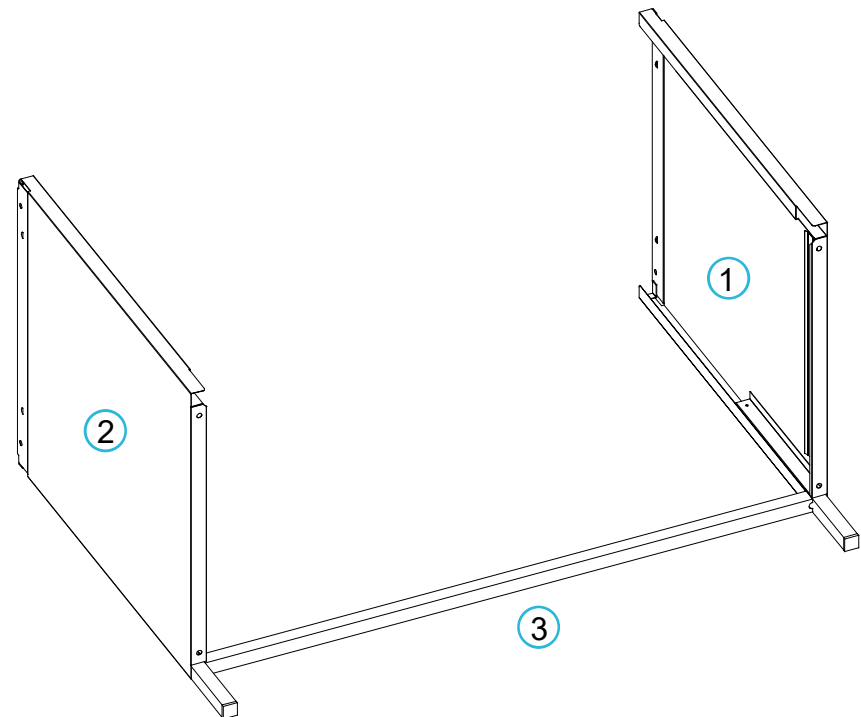
Assembly Instructions

mocka

1



2



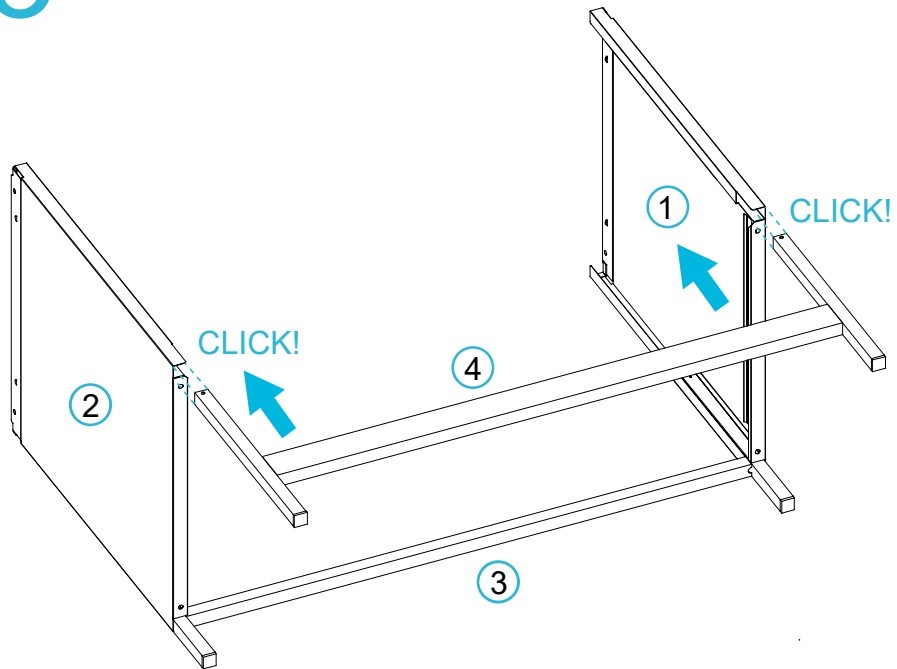
Slide the legs [3] into the bottom of panels [1] and [2] until they click into place.

Two Door Storage Locka

Assembly Instructions

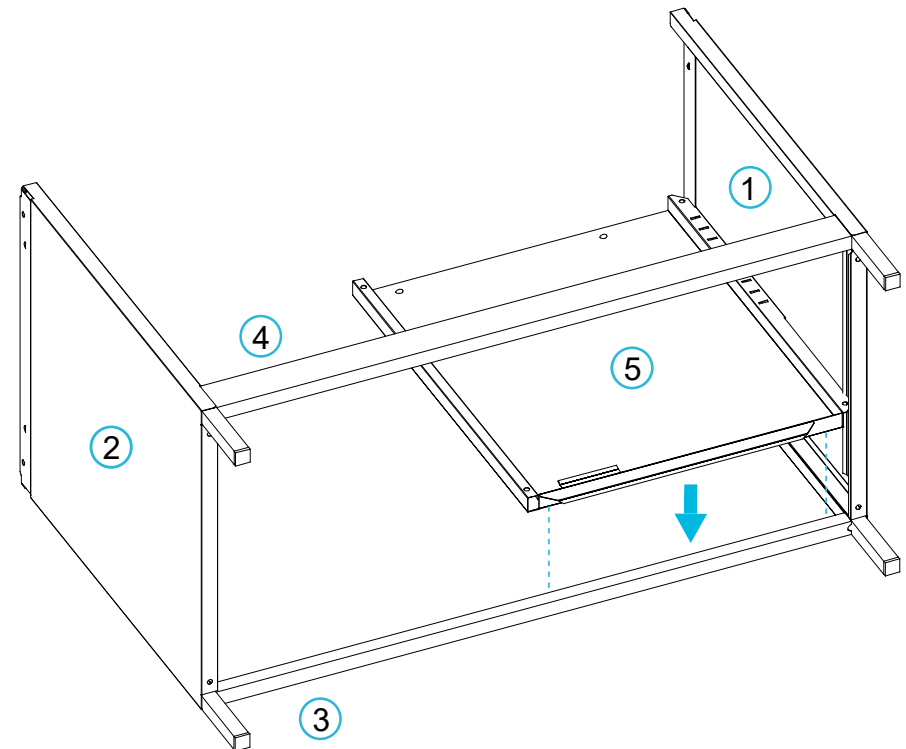
mocka

3



Slide the legs [4] into the bottom of panels [1] and [2] until they click into place.

4



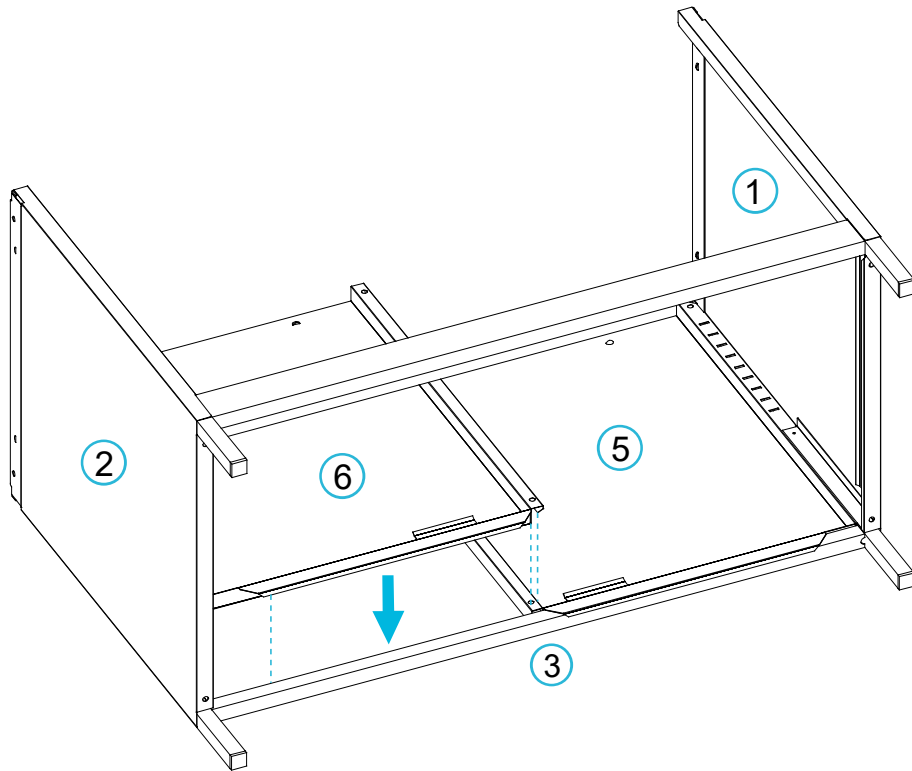
Attach panel [5] to panels [1] and [3] as shown.

Two Door Storage Locka

Assembly Instructions

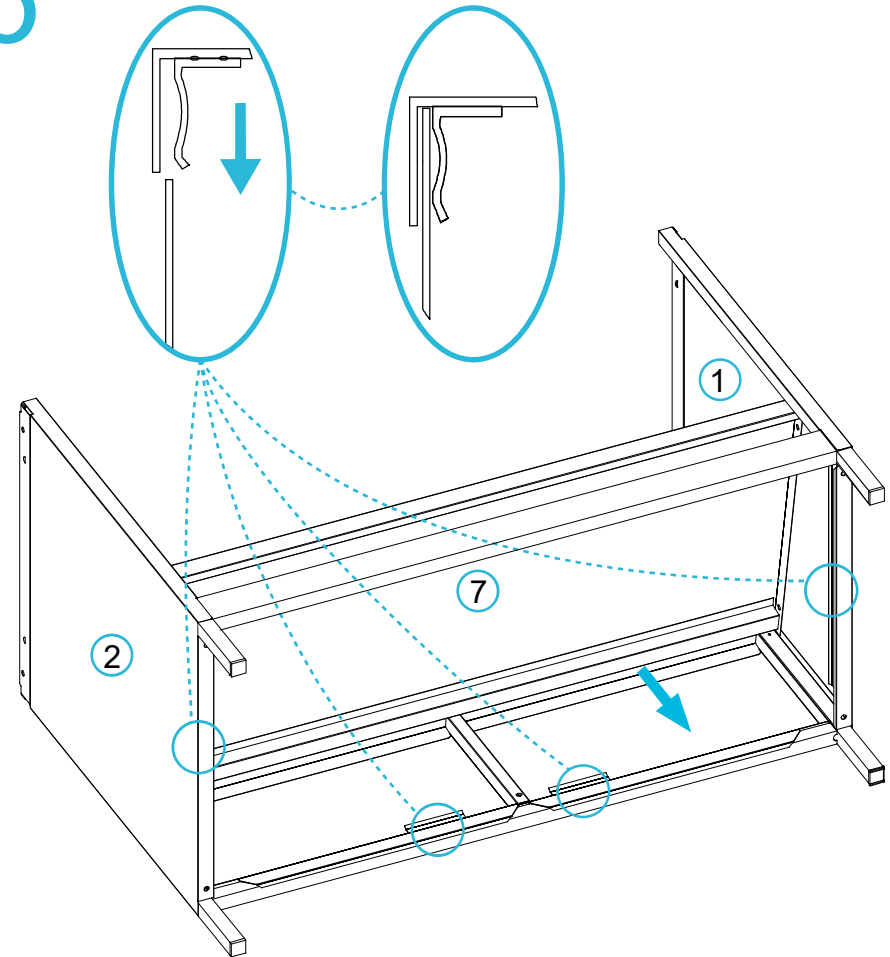
mocka

5



Attach panel [6] between panels [2], [3] and [5] as shown.

6

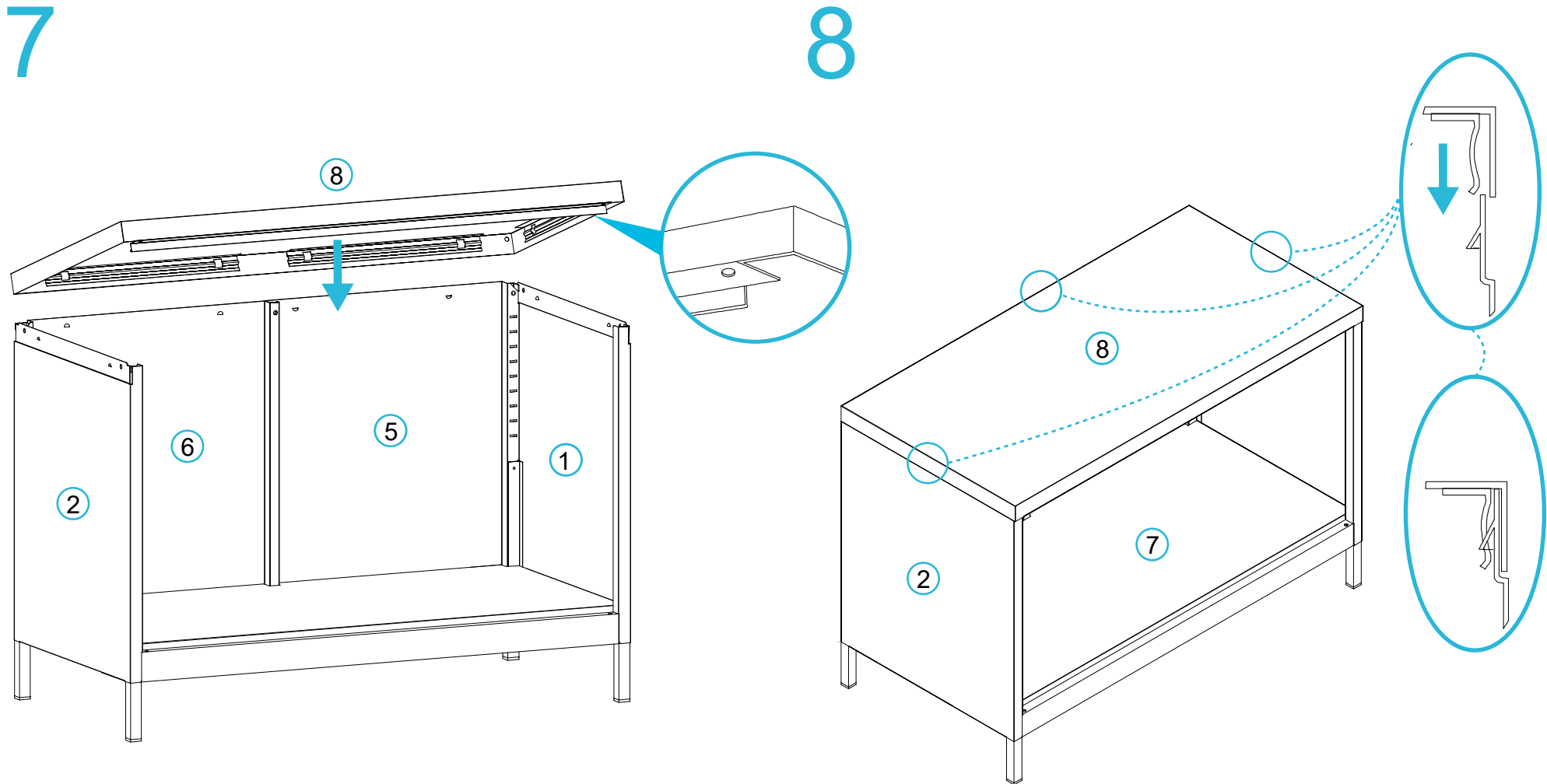


Secure the bottom panel [7] by clicking into place as shown.

Two Door Storage Locka

Assembly Instructions

mocka



Attach the top panel [8] as shown.

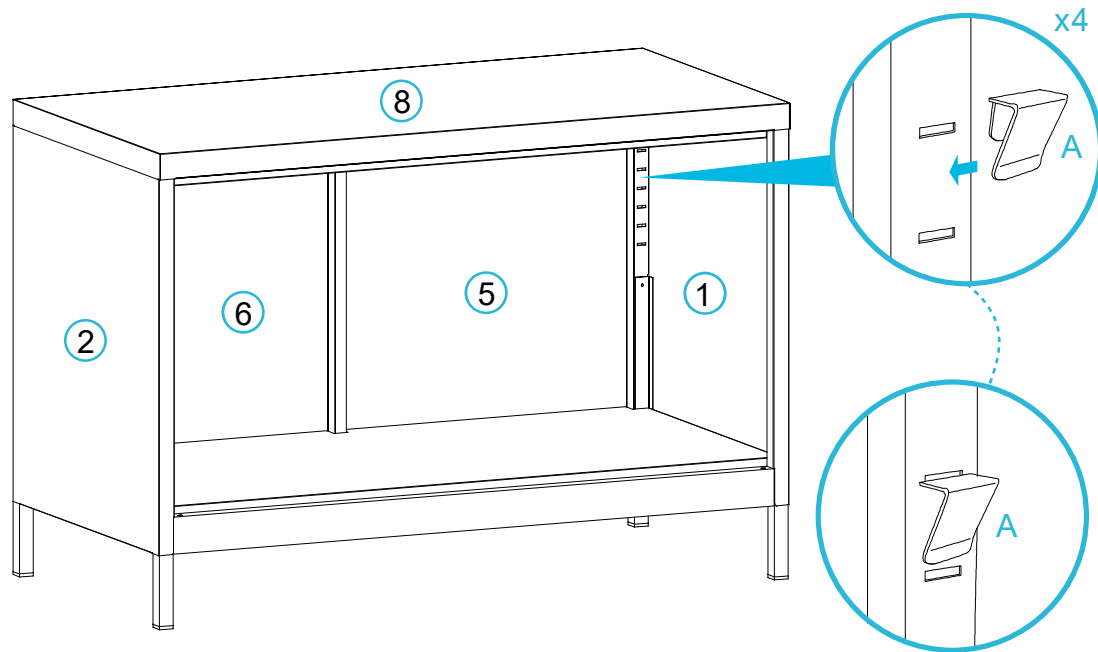
Secure the top panel [8] by clicking into place as shown.

Two Door Storage Locka

Assembly Instructions

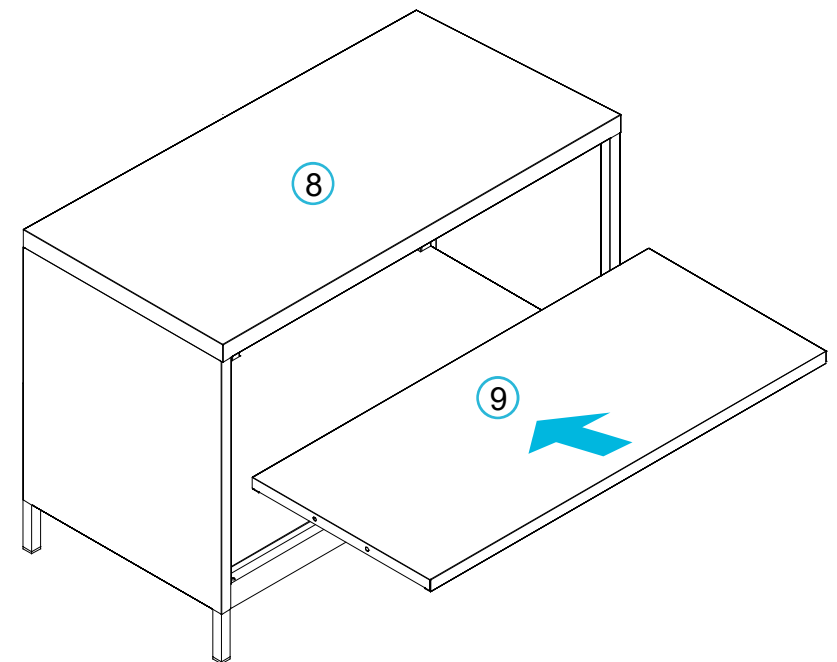
mocka

9



Insert 4x clips (A) into the back and front clip brackets at your desired shelf height as shown.

10



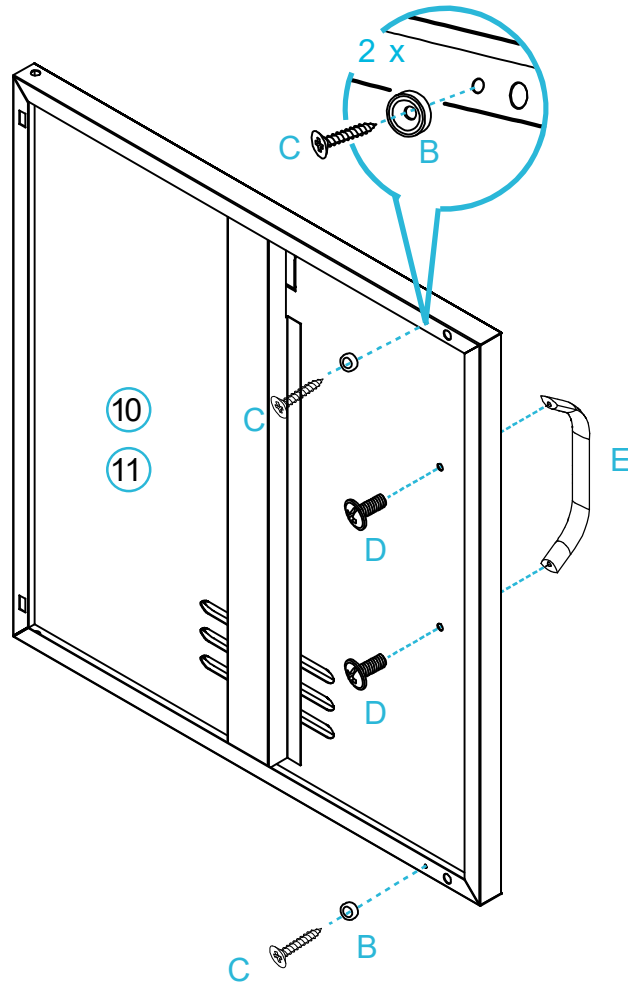
Place panel [9] into the unit over the clips to form the shelf.

Two Door Storage Locka

Assembly Instructions

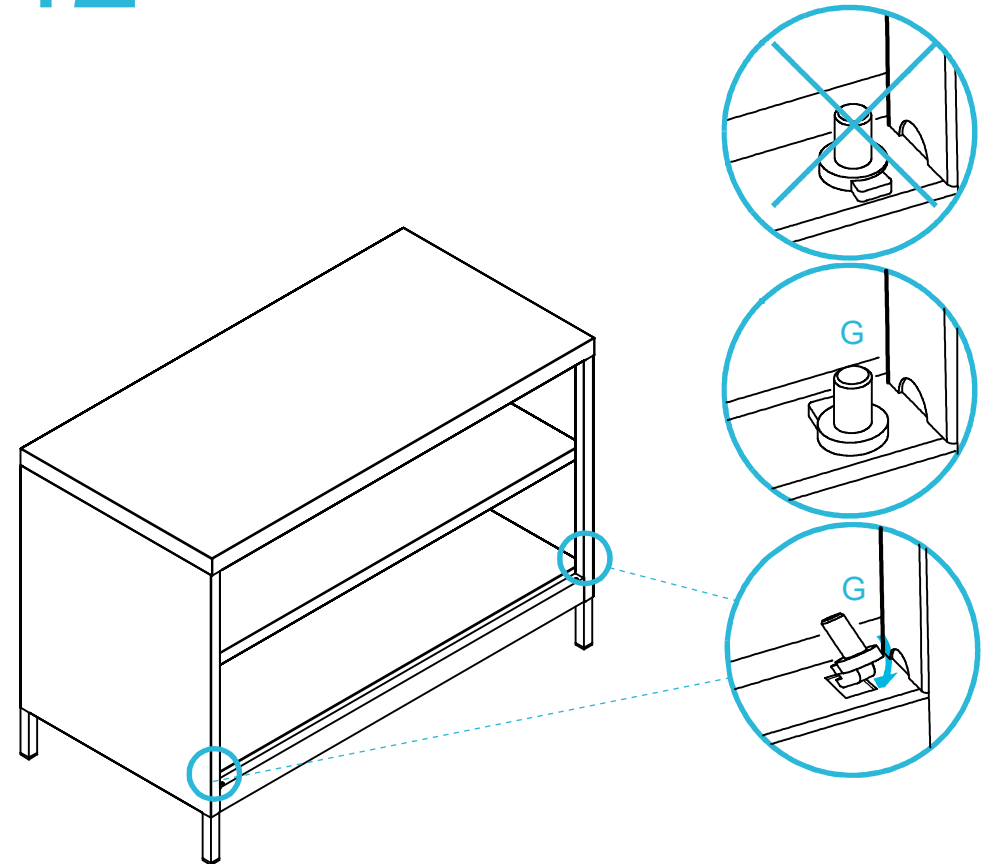
mocka

11



Attach handle (E) to panels [10] and [11] with 4x bolts (D). Insert 4 x small screws (C) and 4 x washers (B) into panels [10] and [11] as shown. Tighten with a screwdriver.

12



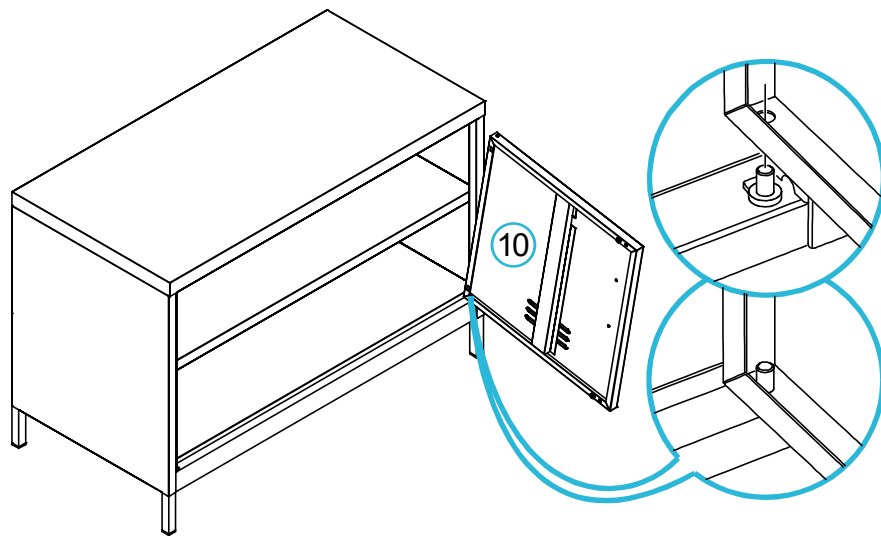
Attach 2 x door hinge (G) to base as shown. Ensure it is facing in the correct direction.

Two Door Storage Locka

Assembly Instructions

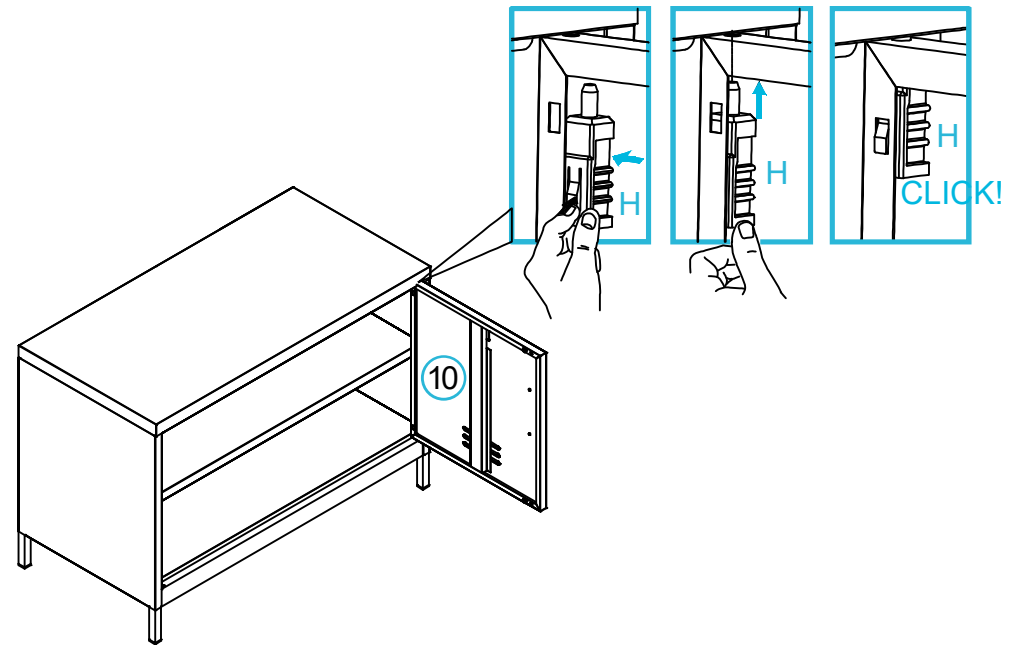
mocka

13



Attach panel [10] to door hinge (G) as shown.

14



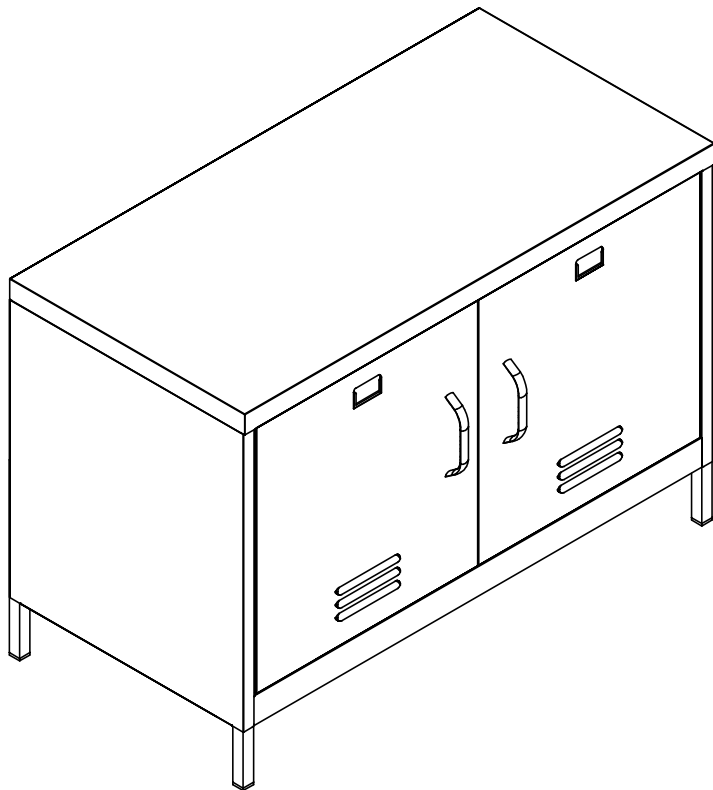
Attach 1 x door lock (H) into panel [10] as shown, ensuring it clicks into place. Repeat steps 13 to 14 for the second door panel [11].

Two Door Storage Locka

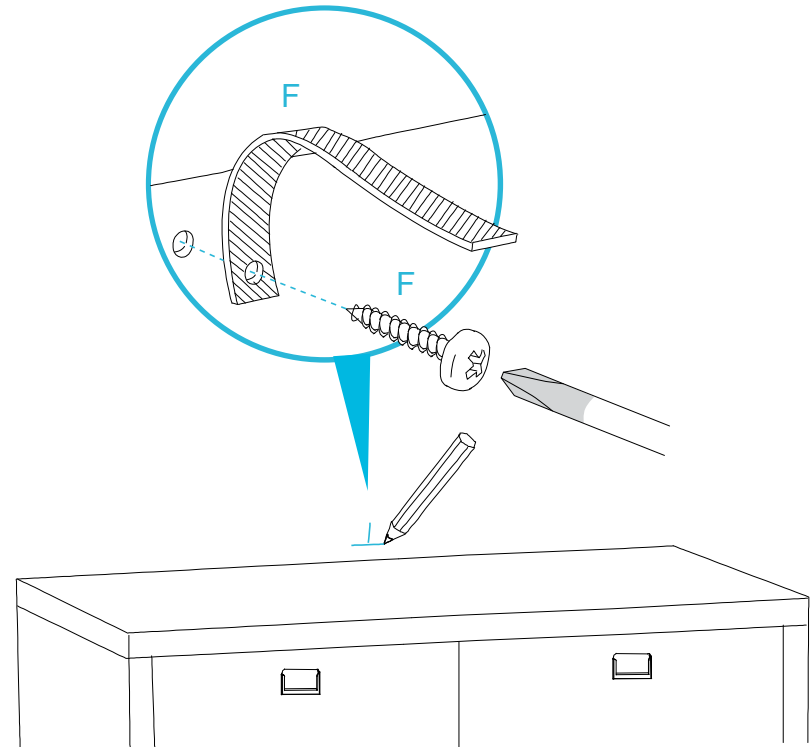
Assembly Instructions

mocka

15



16 Wall Mount



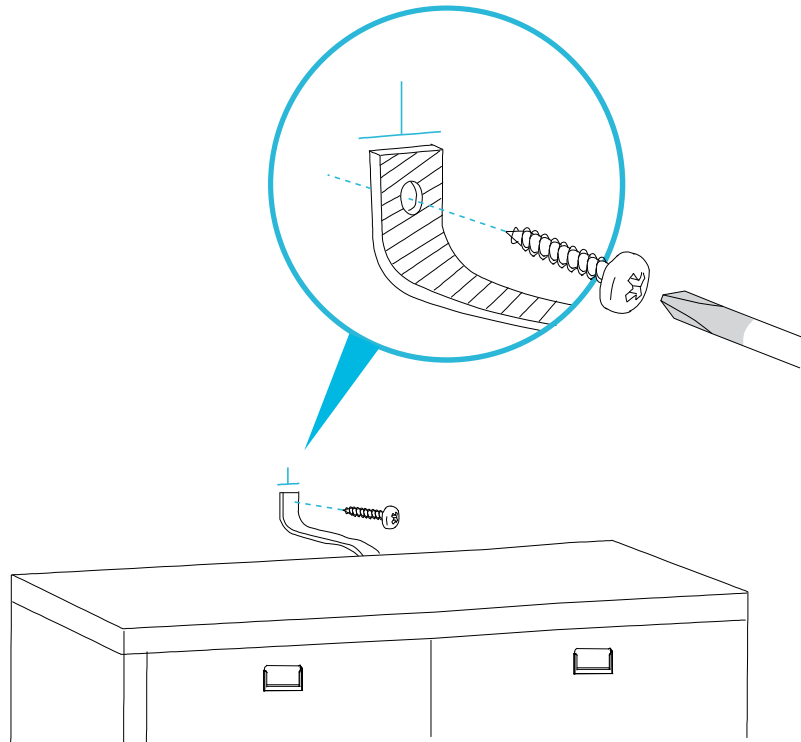
Lift the completed unit into place, do not drag. Mark its height on the wall with a pencil. Attach one end of the wall mount strap (F) to the back of the unit with a 1x screw (F).

Two Door Storage Locka

Assembly Instructions

mocka

17



Screw the other end into the wall at the marked height with a wall screw (not supplied). You're done, enjoy!