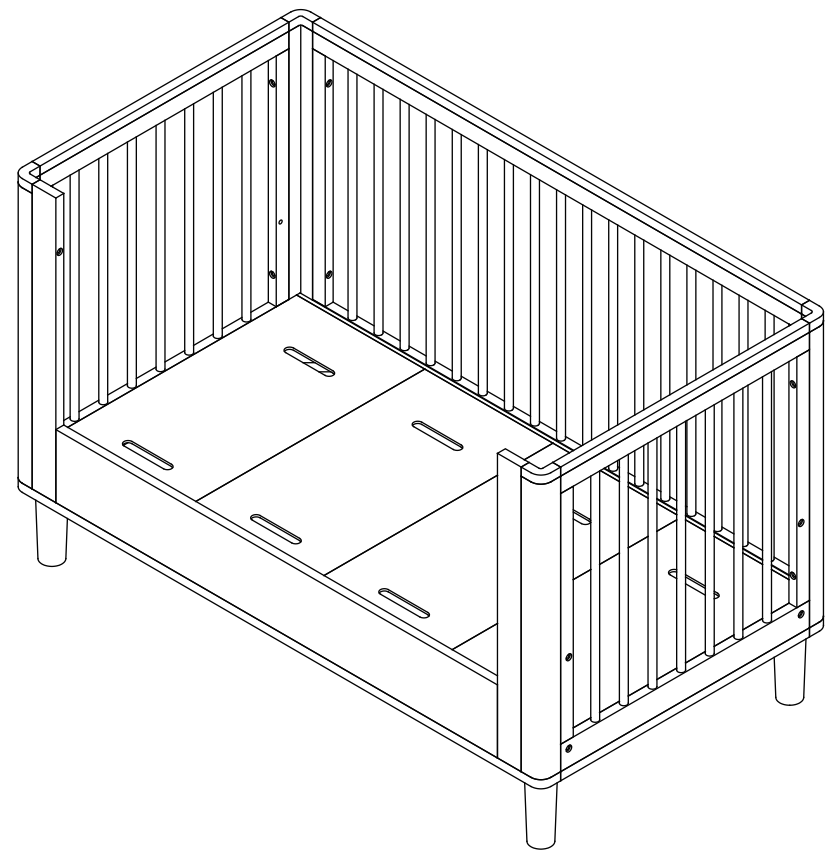
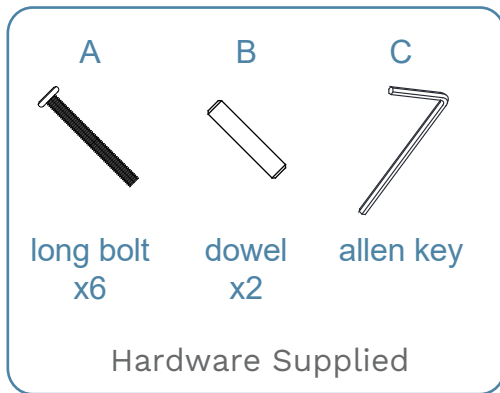


Tahoe

Cot Toddler Bed Conversion

Thank you for your purchase.
Please follow the instructions below for correct assembly

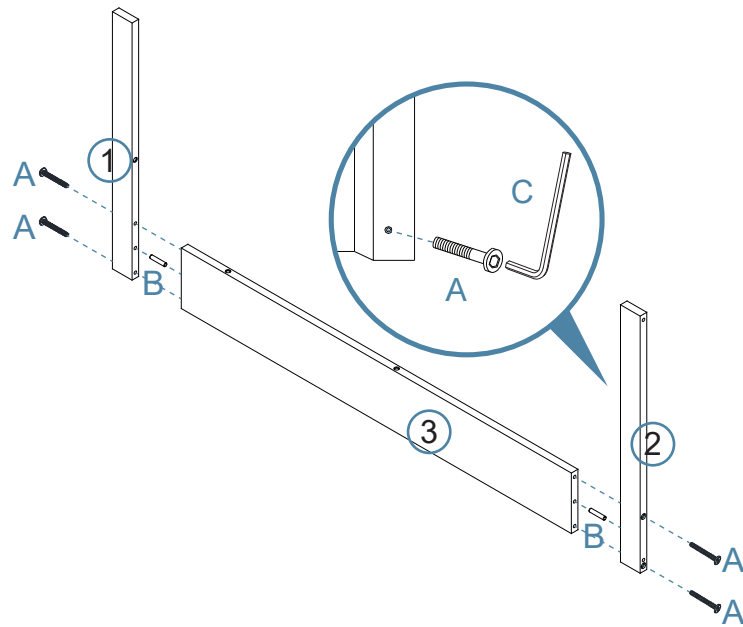


(COT NOT INCLUDED)

Tahoe

Cot Toddler Bed Conversion

1



Attach panels [1] and [2] to panel [3] and secure with 4 x bolts (A) and 2 x dowels (B). Tighten with an Allen Key (C).

2

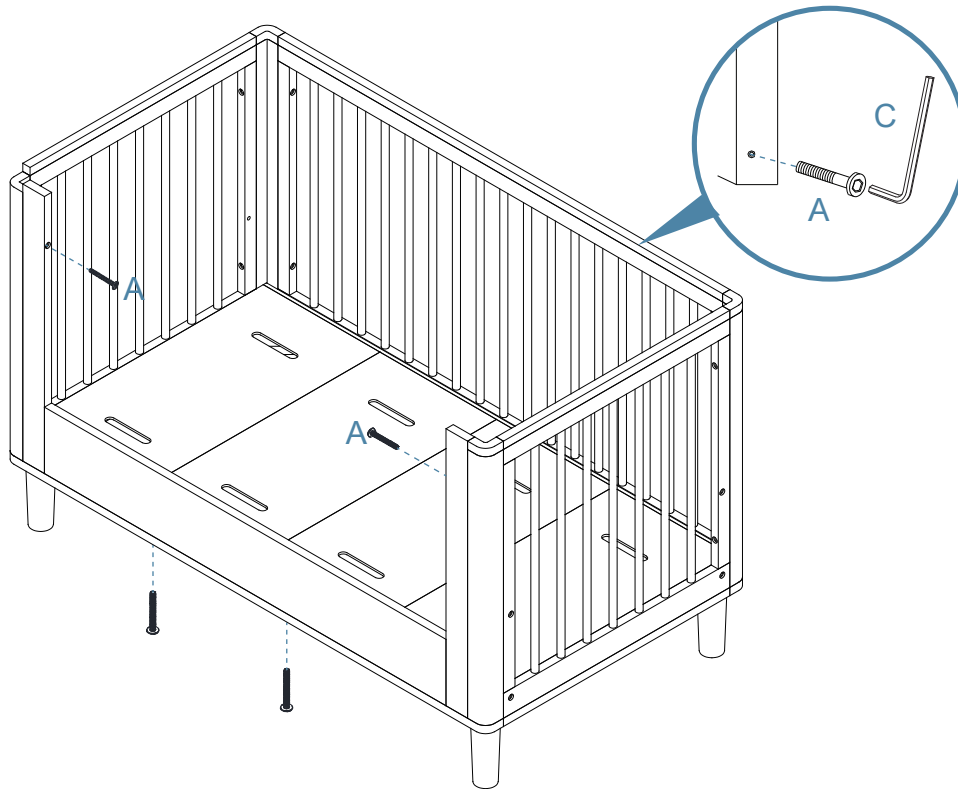


Remove current frame from assembled furniture as shown, retaining bolts.

Tahoe

Cot Toddler Bed Conversion

3



Attach bed conversion to assembled furniture as shown and secure with the 2x bolts from step 2 and 2x bolts(A). Tighten with an Allen Key (C). Once assembled lift furniture into place, do not drag. You're done, enjoy!