

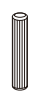
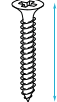



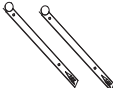


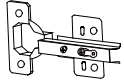

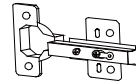


Tahoe Buffet





Assembly Instructions

Thank you for your purchase.
Please follow the instructions below for correct assembly.

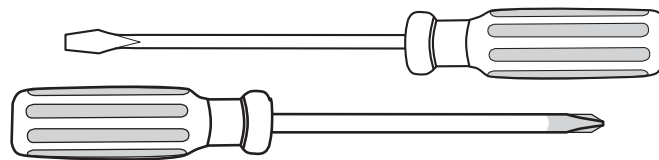
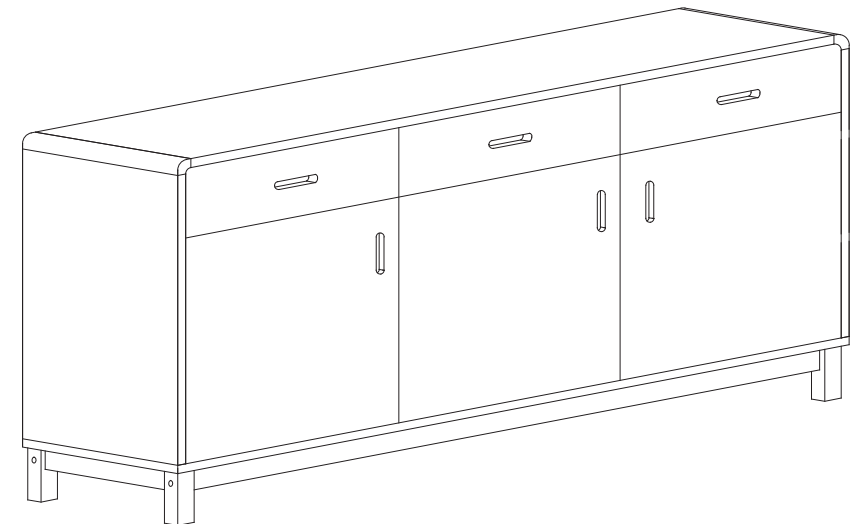
mocka

A  bolt x44	B  locking nut x44	C  dowel x32	D  long screw x10	E  small screw x24	F  long screw x12	G  L + R slide rail x6
H  L + R slide rail x6	I  nut x4	J  long screw x4	K  hinge x4	L  small x36	M  hinge x2	

Hardware Supplied

W  safety strap x1	Y  long screw x1
X  wall anchor x1	Z  washer x1

WARNING: Any furniture that is not anchored to a wall has the potential to tip over in certain circumstances, i.e. if a child attempts to climb up on the furniture or in the event of an earthquake. Accordingly, we recommend that all furniture is anchored to a wall. We supply a free safety wall anchor with all furniture sold and we recommend these are used to prevent your product tipping. The fixing device provided should fit most wall types, but please note that different wall materials may require different fixing devices from those supplied.



Phillips & Flathead screwdrivers and hammer required
For quicker assembly, we recommend the use of a power drill on a low-speed setting.

*We recommend using a Flathead screwdriver to tighten all locking nuts 100% before first use.
Please clear any loose wood from the locking nut holes before inserting the nut to ensure it locks 100%.

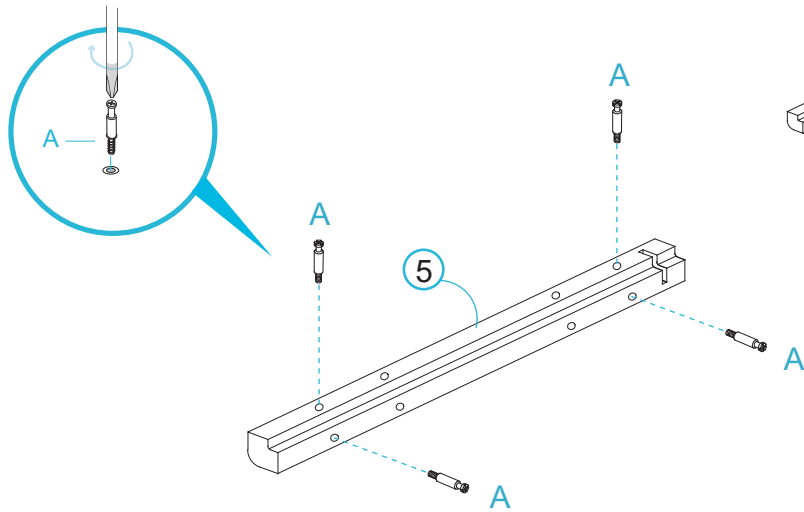
Tahoe Buffet

Assembly Instructions

mocka

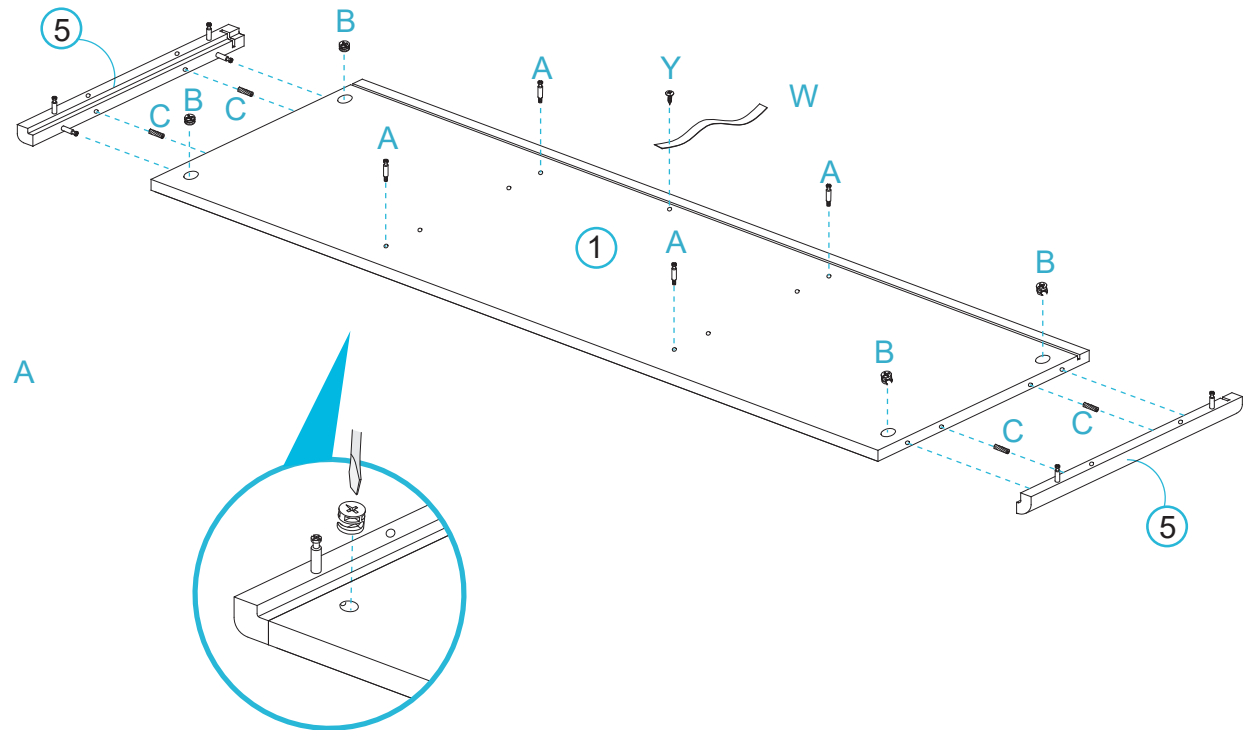
Thank you for your purchase.
Please follow the instructions below for correct assembly.

1 Drawer x 2



Insert 8 x bolt (A) into panel [5]. Tighten with a screwdriver.

2



Insert 4 x locking nut (B) into panels [1]. Attach 4 x bolt (A) into panel [1]. Attach 4 x dowel (C) to panel [1] and secure with [5]. Attach 1 x wall strap (W) to panel [1] using 1x screw(Y). Tighten with a screwdriver.

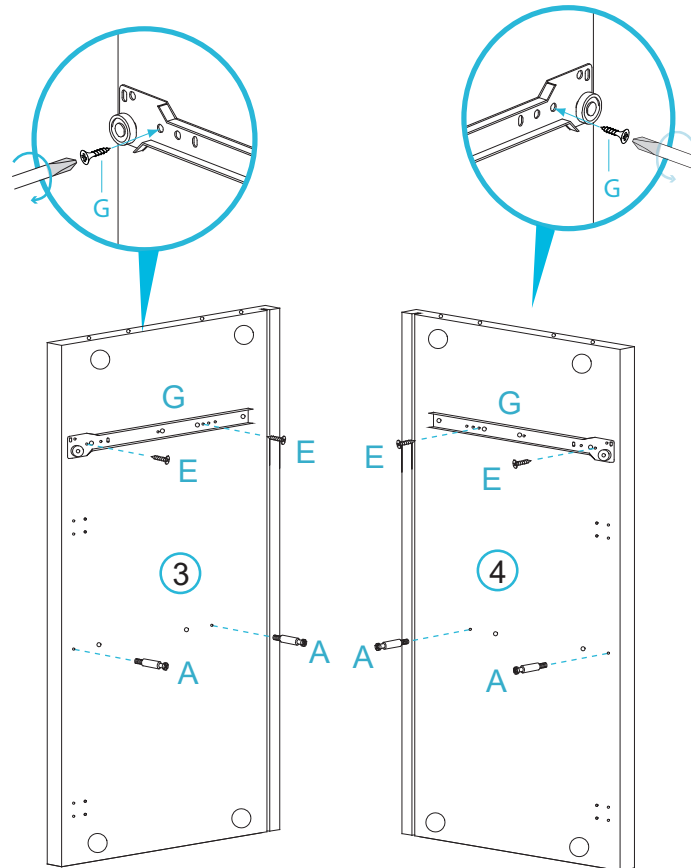
Tahoe Buffet

Assembly Instructions

mocka

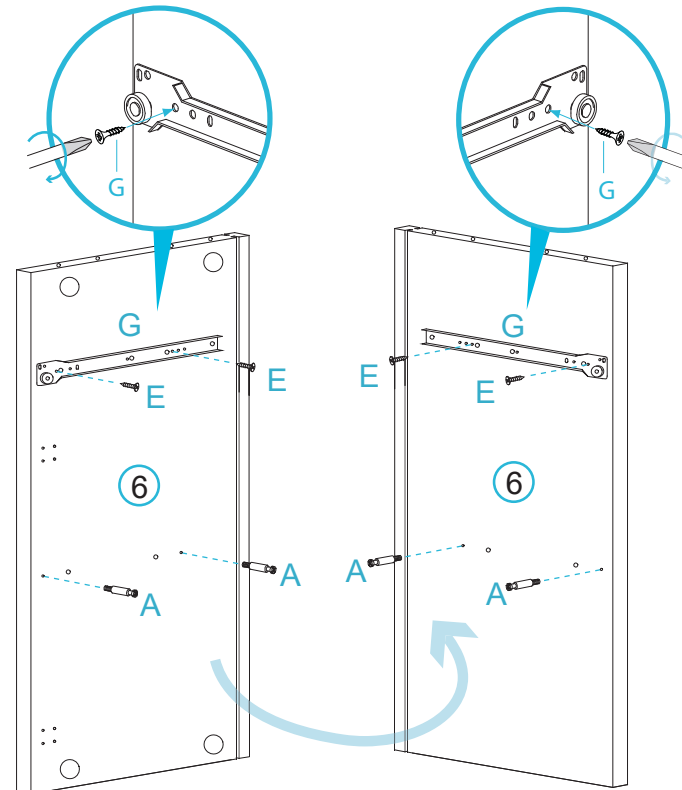
Thank you for your purchase.
Please follow the instructions below for correct assembly.

3



Attach 1 x left slide rail (G) to panel [3] and secure with 2 x small screw (E).
Attach 1 x right slide rail (G) to panel [4] and secure with 2 x small screw (E).
Insert 4 x bolt (A) into panel [3] and [4]. Tighten with a screwdriver.

4



Attach 1 x left slide rail (G) and 1 x right slide rail (G) to panel [6] and secure with 4 x small screw (E).
Insert 4 x bolt (A) into panel [6]. Tighten with a screwdriver.

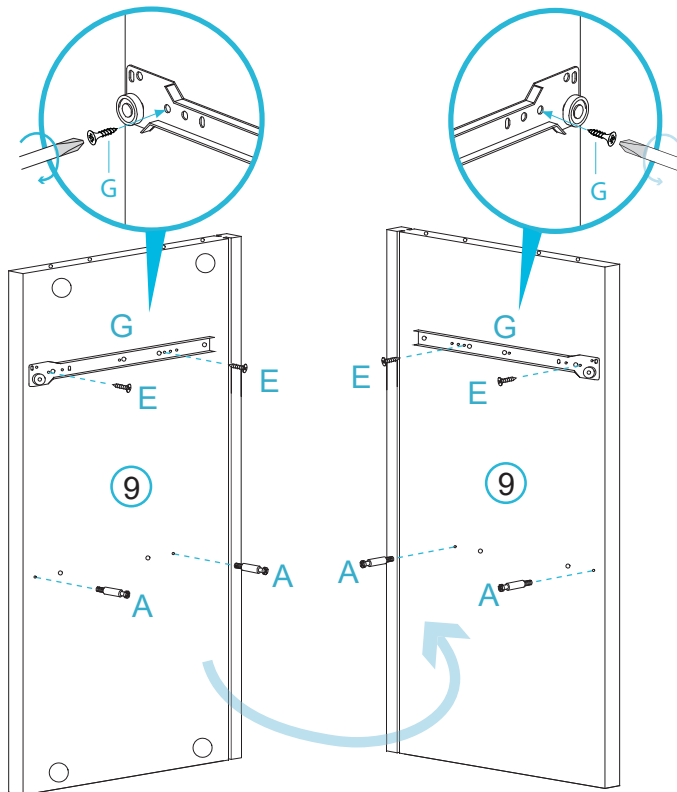
Tahoe Buffet

Assembly Instructions

Thank you for your purchase.
Please follow the instructions below for correct assembly.

mocka

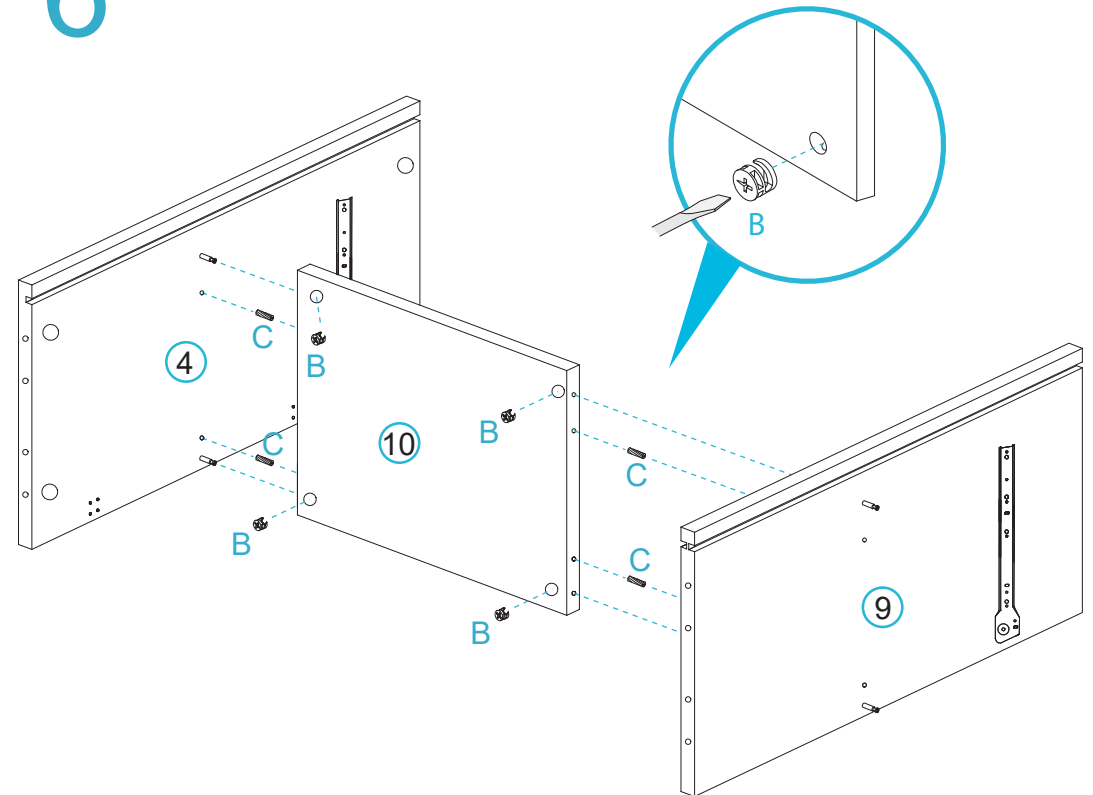
5



Attach 1 x left slide rail (G) and 1 x right slide rail (G) to panel [9] and secure with 4 x small screw (E). Insert 4 x bolt (A) into panel [9]. Tighten with a screwdriver.

mocka.co.nz | mocka.com.au

6



Insert 4 x dowel (C) into panel [10]. Attach panel [10] to panels [4] and [9] and secure with 4 x locking nuts (B). Tighten with a screwdriver.

4

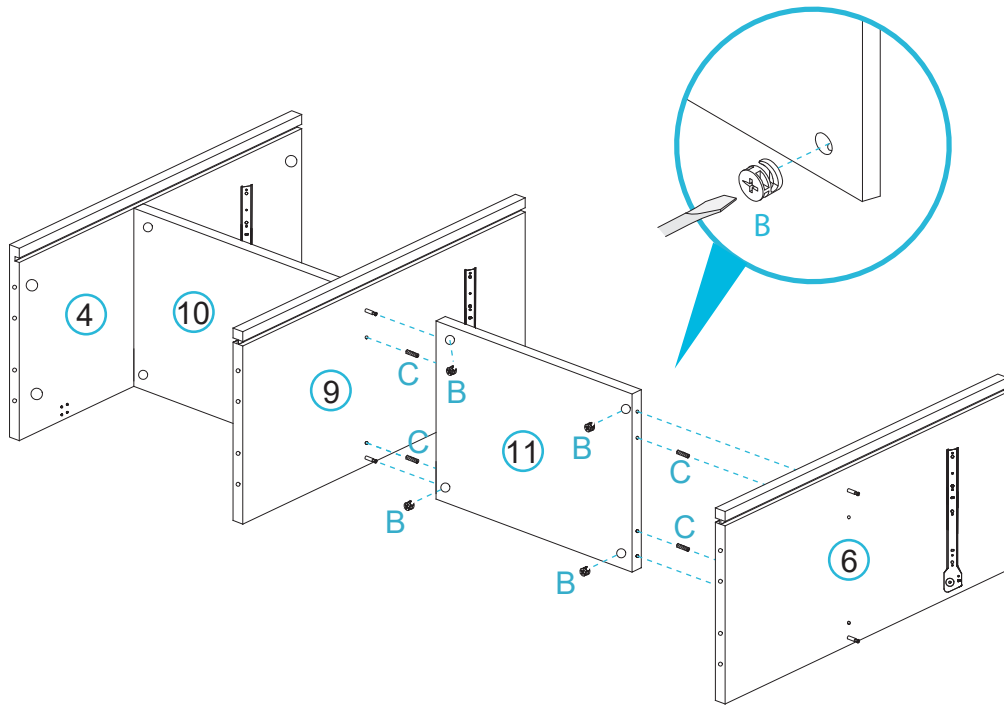
Tahoe Buffet

Assembly Instructions

mocka

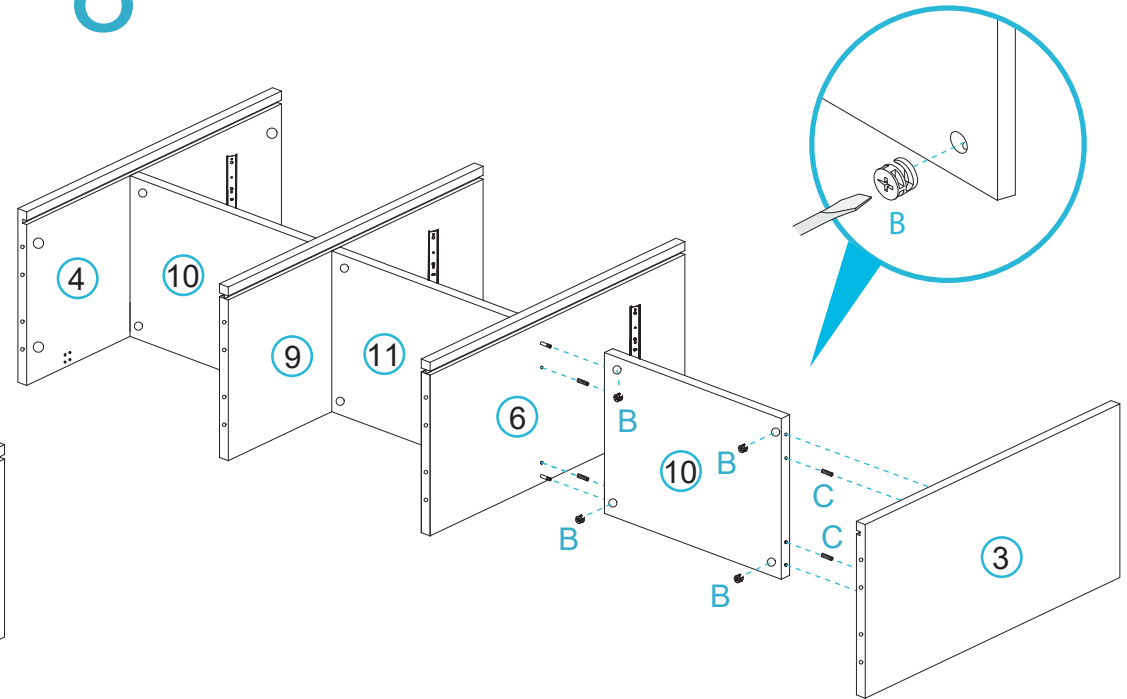
Thank you for your purchase.
Please follow the instructions below for correct assembly.

7



Insert 4 x dowel (C) into panel [11]. Attach panel [11] to panels [6] and [9] and secure with 4 x locking nuts (B). Tighten with a screwdriver.

8



Insert 4 x dowel (C) into panel [10]. Attach panel [10] to panels [3] and [6] and secure with 4 x locking nuts (B). Tighten with a screwdriver.

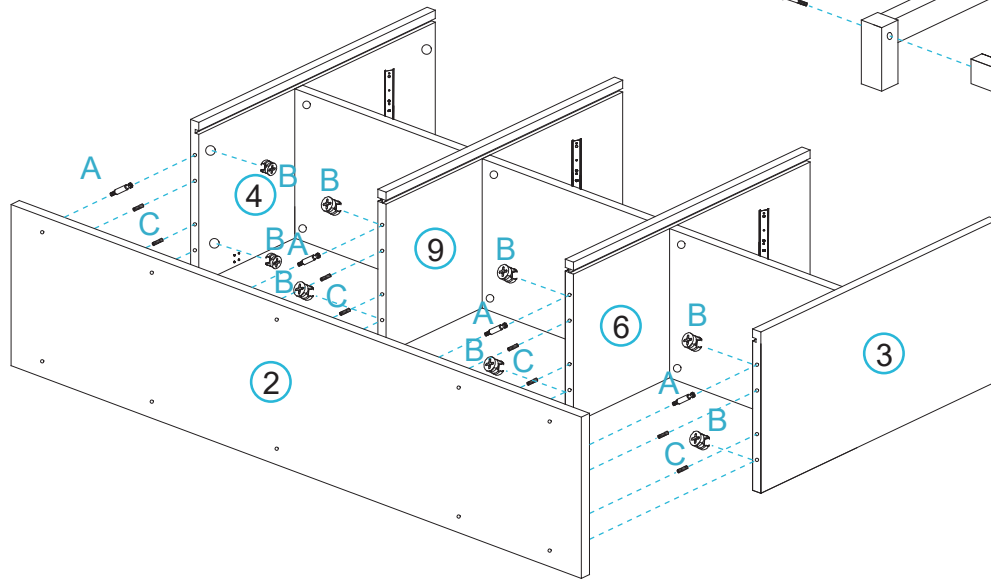
Tahoe Buffet

Assembly Instructions

mocka

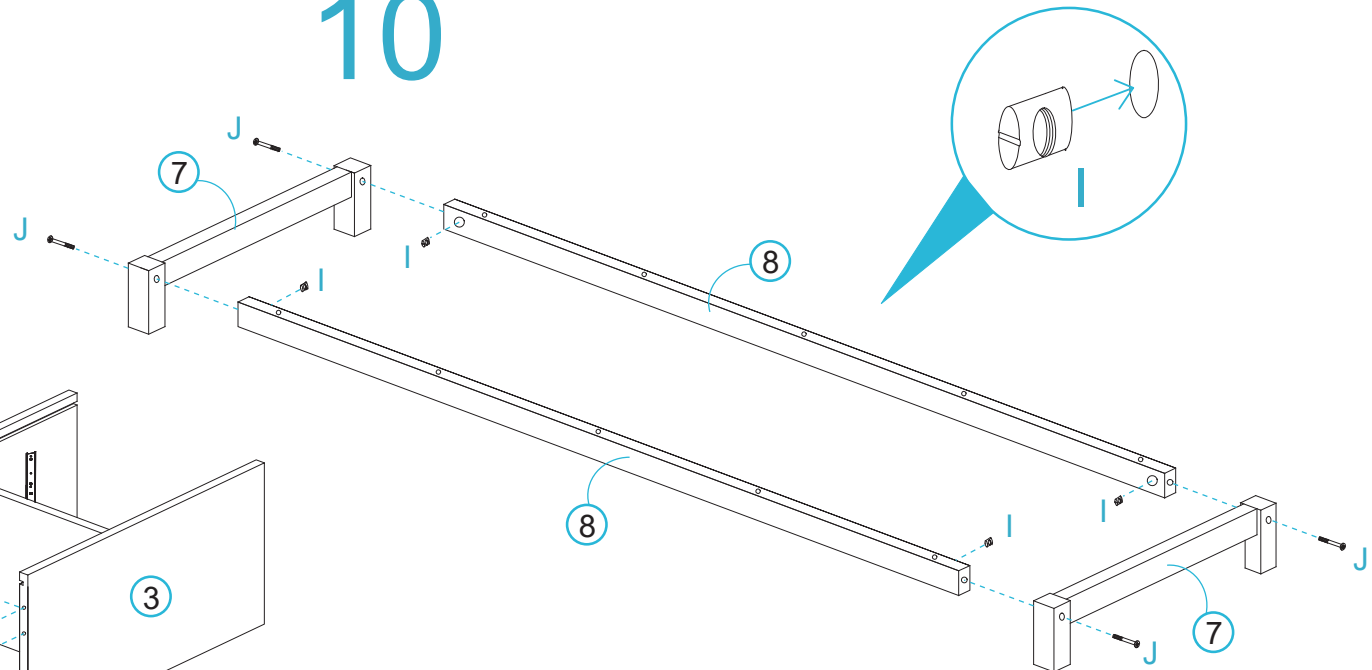
Thank you for your purchase.
Please follow the instructions below for correct assembly.

9



Insert 8 x dowel (C) into panel [2]. Attach panels [3] to panel [4] and [6] and [9]. [3], [4] and [6] and [9] and secure Insert 8 x bolt (A) and with 8 x locking nuts (B). Tighten with a screwdriver.

10



Insert 4 x nuts (I) into panel [8]. Attach panel [7] to panel [8] and secure with 4 x long bolts (J). Tighten with a screwdriver.

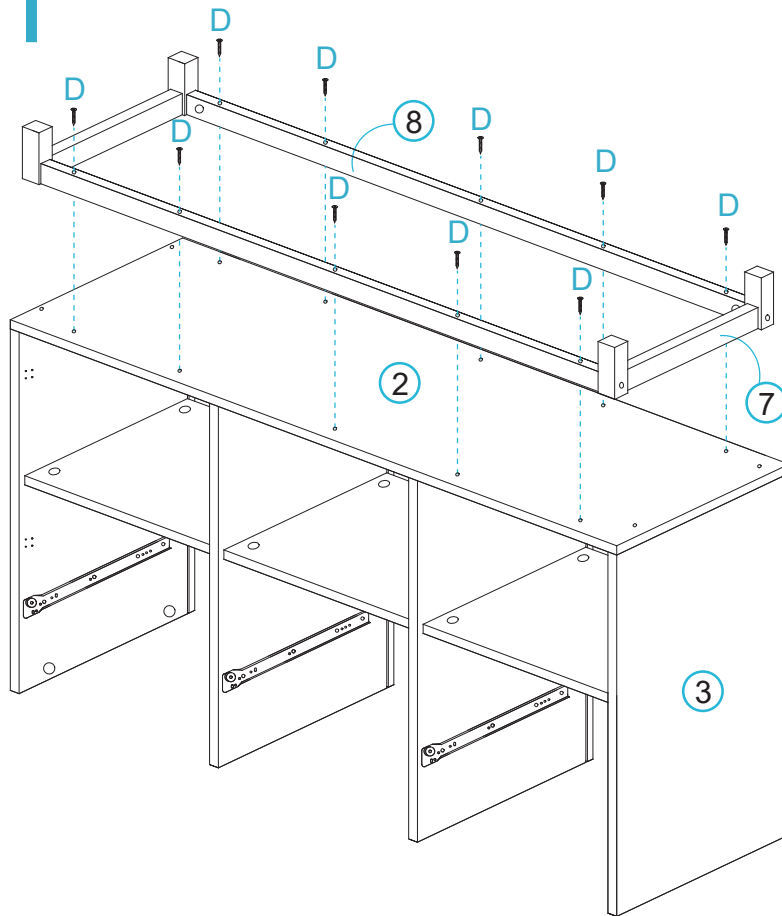
Tahoe Buffet

Assembly Instructions

Thank you for your purchase.
Please follow the instructions below for correct assembly.

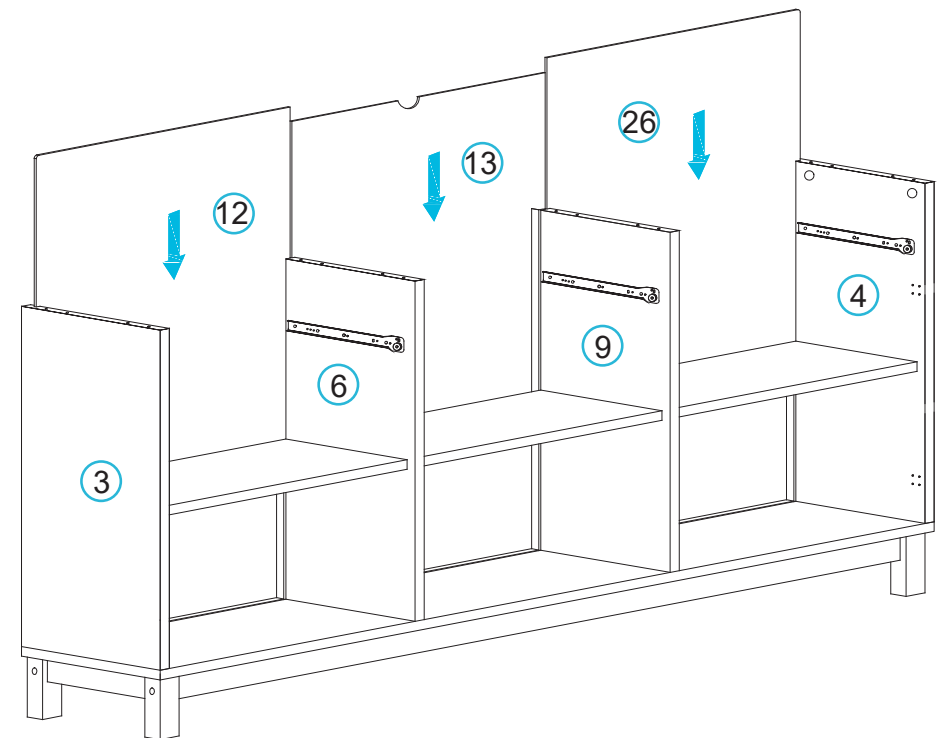
mocka

11



Attach panels [7] and [8] to panel [2] and secure with 10 x long screws(D).
Tighten with a screwdriver.

12



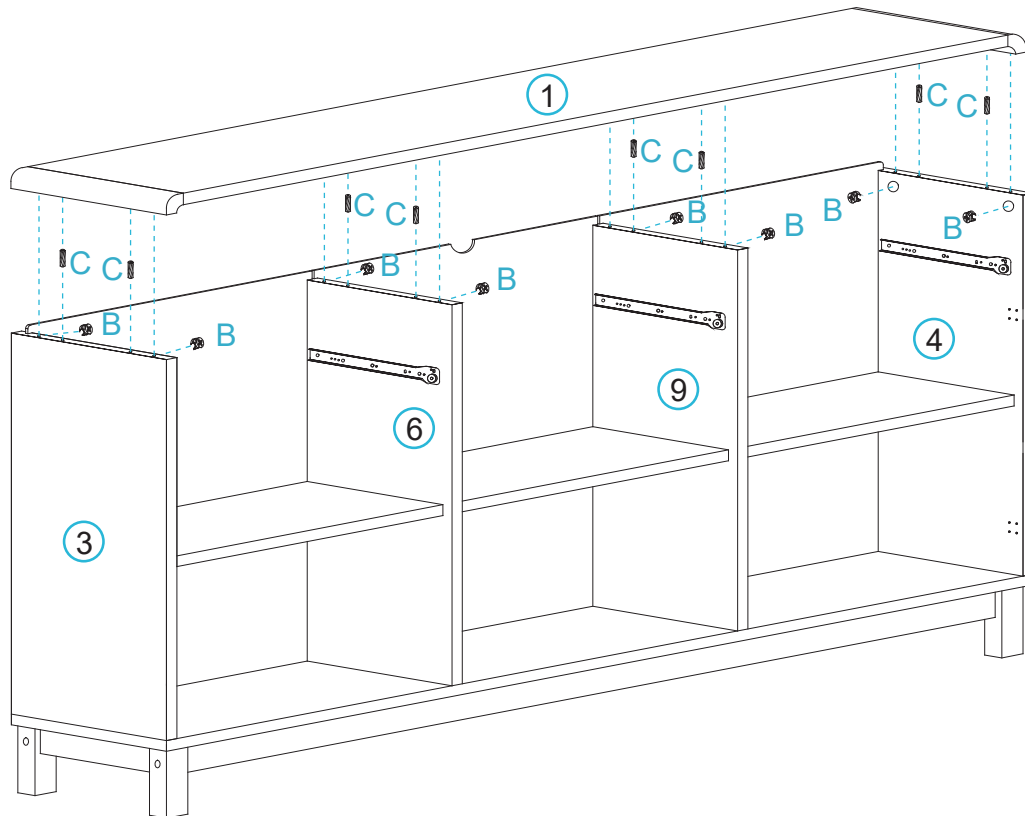
Slide panel [12] and [13] and [26] between the grooves on panels [3],[4] and [6] and [9] to form the back of the unit as shown. Tighten with a screwdriver.

Tahoe Buffet

Assembly Instructions

Thank you for your purchase.
Please follow the instructions below for correct assembly.

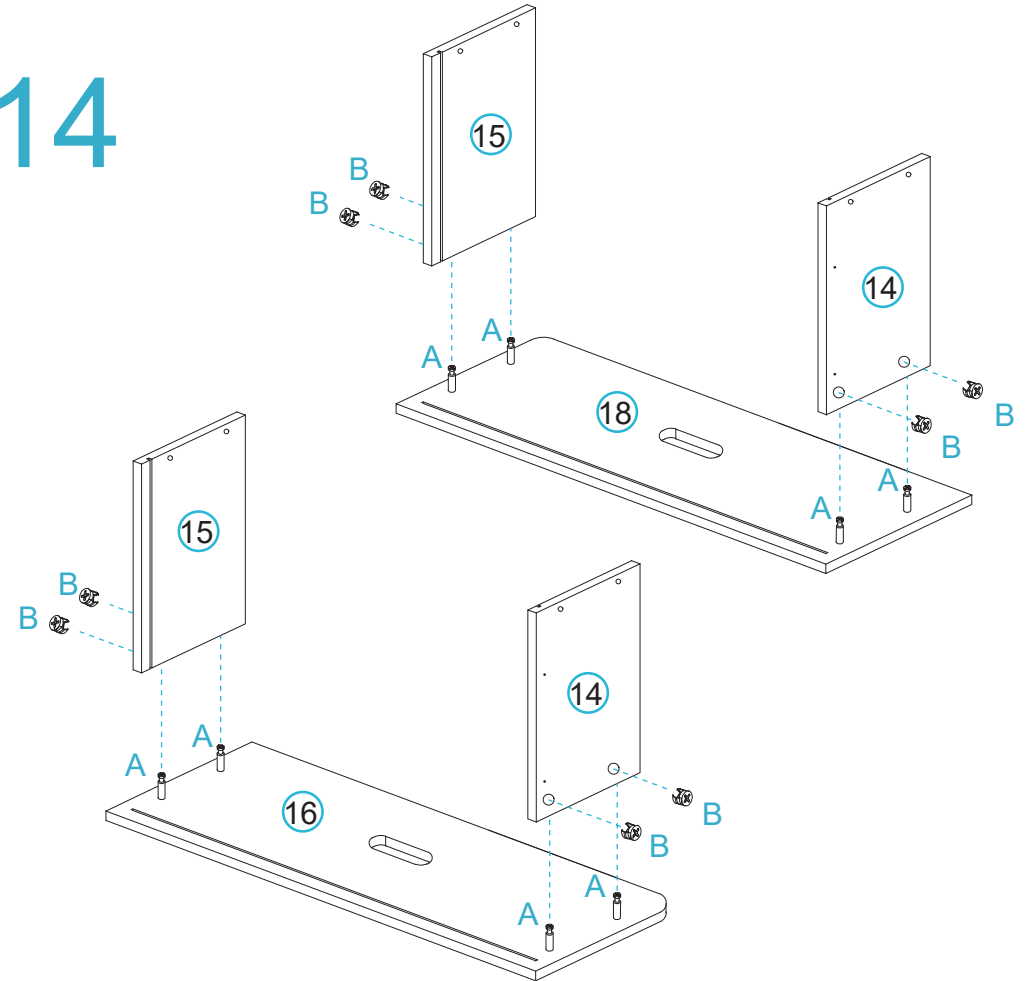
13



Insert 8 x dowel (C) into panel [1]. Attach panel [1] to panels [3] and [4],[6] and[9] and secure with 8 x locking nuts (B). Tighten with a screwdriver.

mocka

14



Insert 8 x bolts (A) into panel [16] and [18]. Attach panels [14] and [15] to panel [16] and [18] secure with 8 x locking nuts (B). Tighten with a screwdriver.

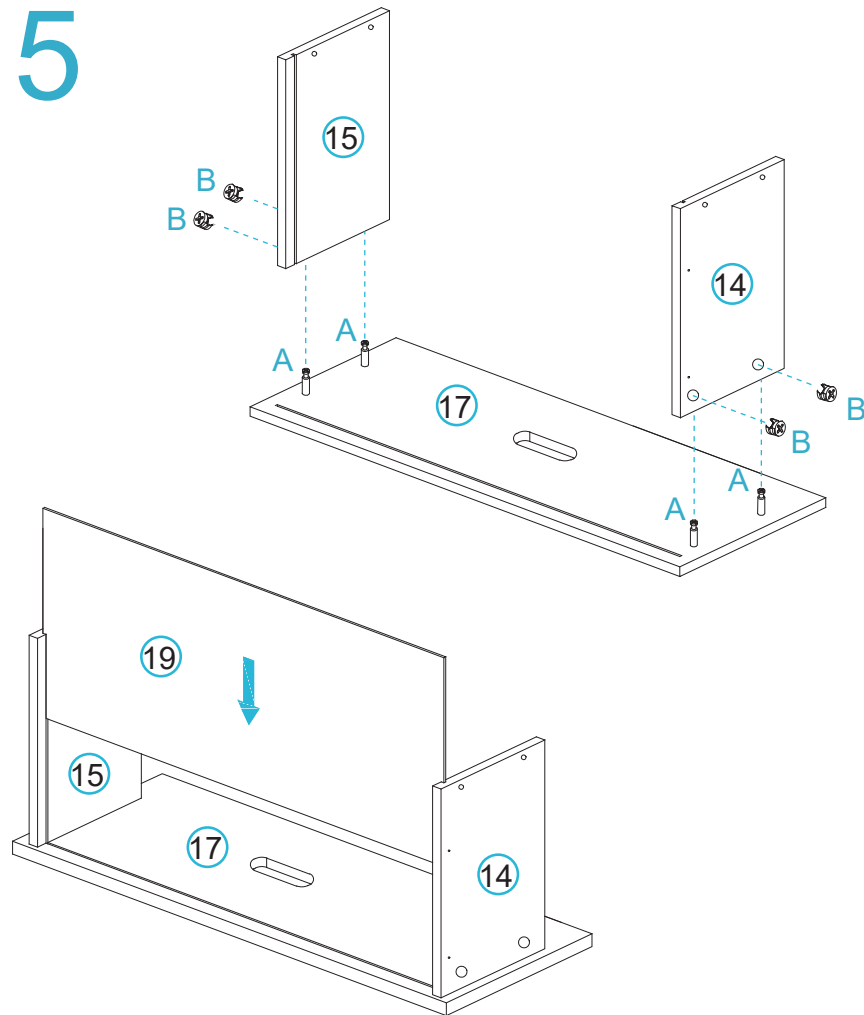
Tahoe Buffet

Assembly Instructions

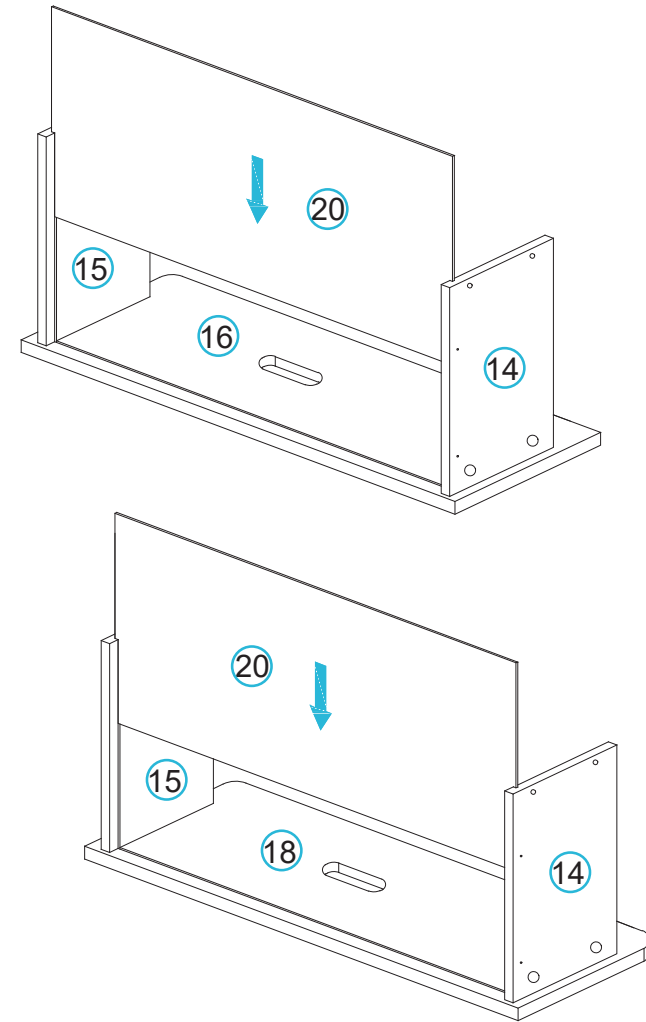
Thank you for your purchase.
Please follow the instructions below for correct assembly.

mocka

15



16



Insert 4 x bolts (A) into panel [17]. Attach panels [14] and [15] to panel [17] secure with 4 x locking nuts (B). Slide panels [19] between the grooves on panels [14] and [15] to form the base of the drawer as shown. Tighten with a screwdriver.

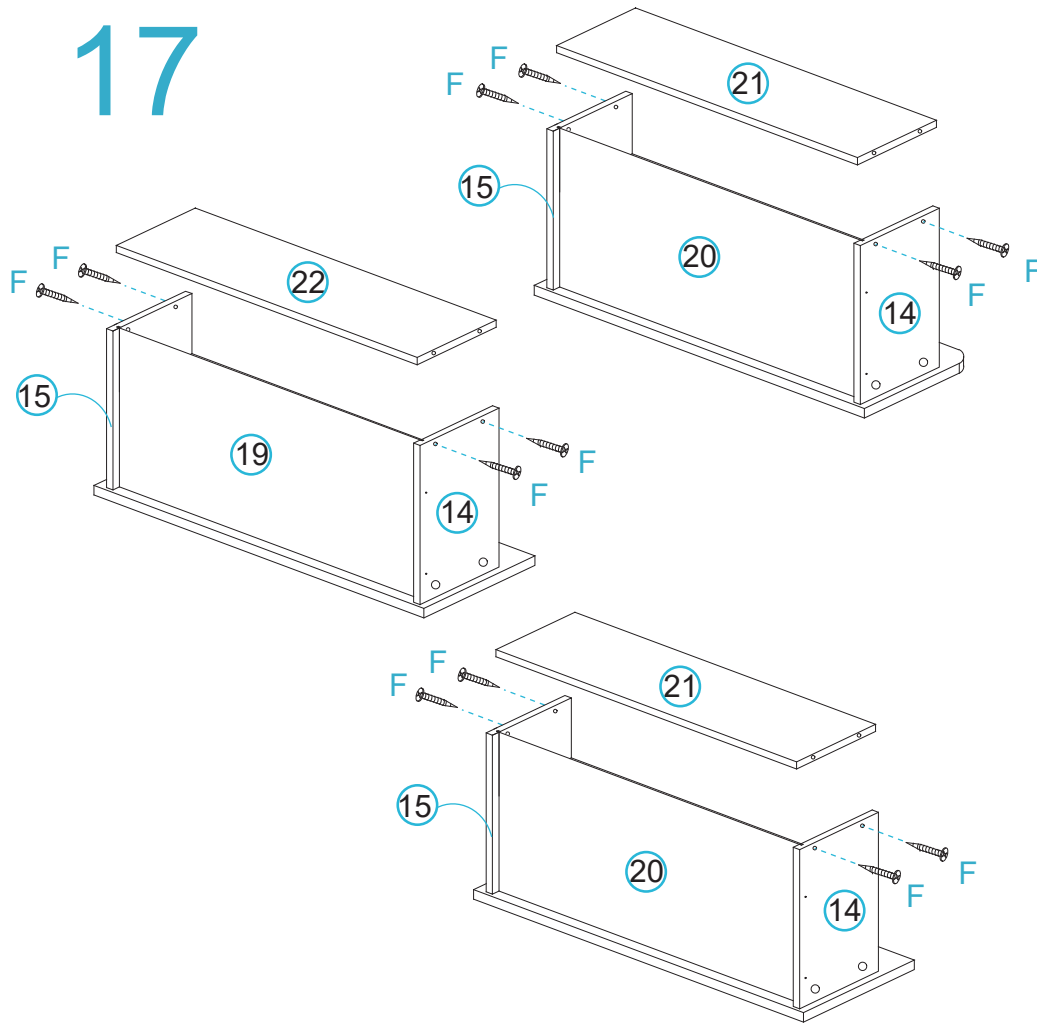
Slide panels [20] between the grooves on panels [14] and [15] to form the base of the drawer as shown. Tighten with a screwdriver.

Tahoe Buffet

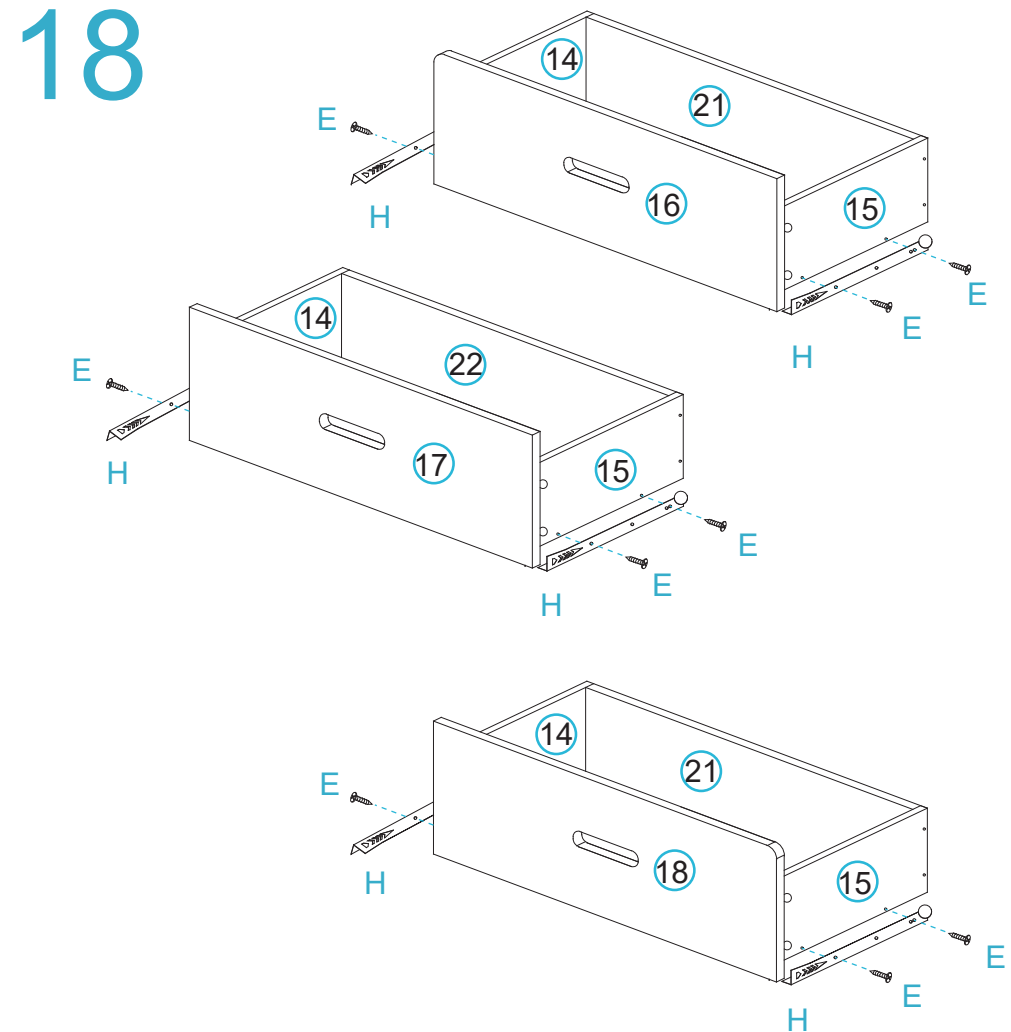
Assembly Instructions

Thank you for your purchase.
Please follow the instructions below for correct assembly.

mocka



Attach panel [21] and [22] to panels [14] and [15] secure with 12 x medium screws (F). Tighten with a screwdriver.



Attach 6 x slide rails (H) to panels [14] and [15] and secure with 12 x small screw(E). Tighten with a screwdriver.

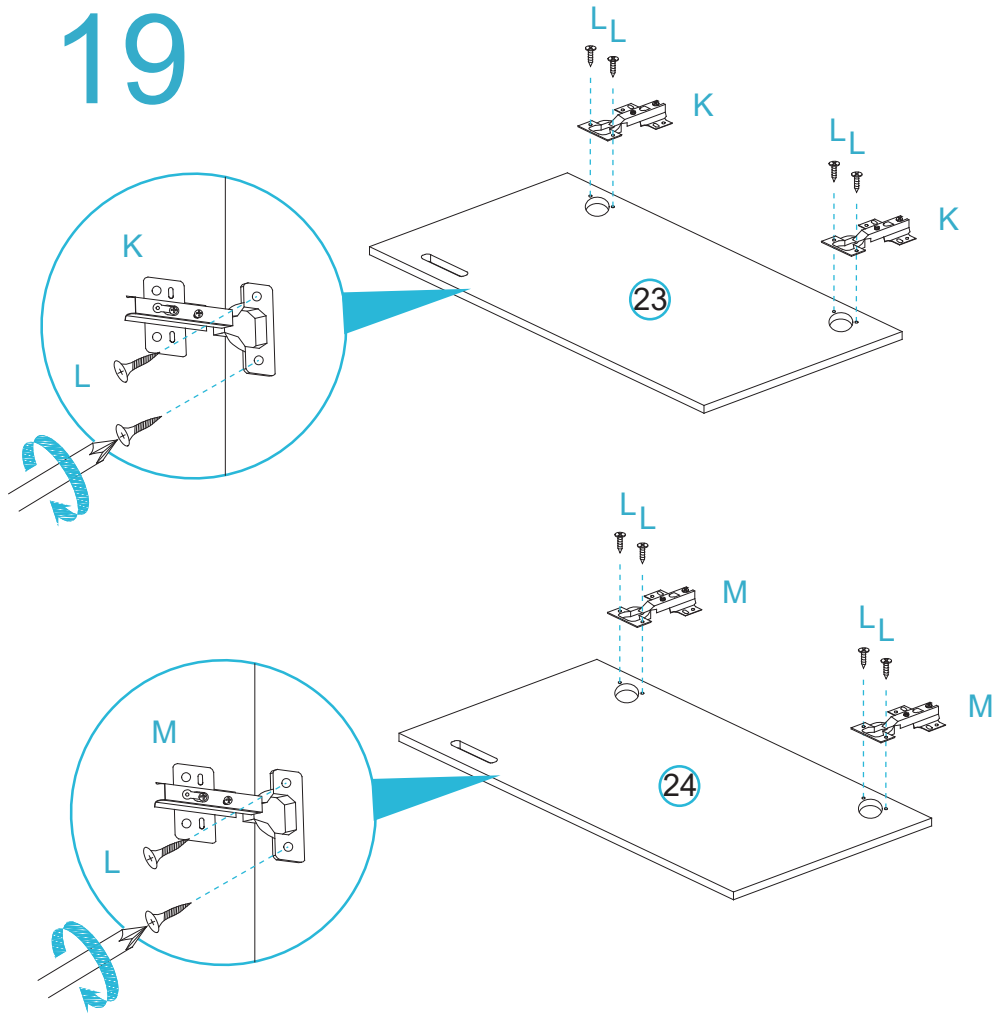
Tahoe Buffet

Assembly Instructions

Thank you for your purchase.
Please follow the instructions below for correct assembly.

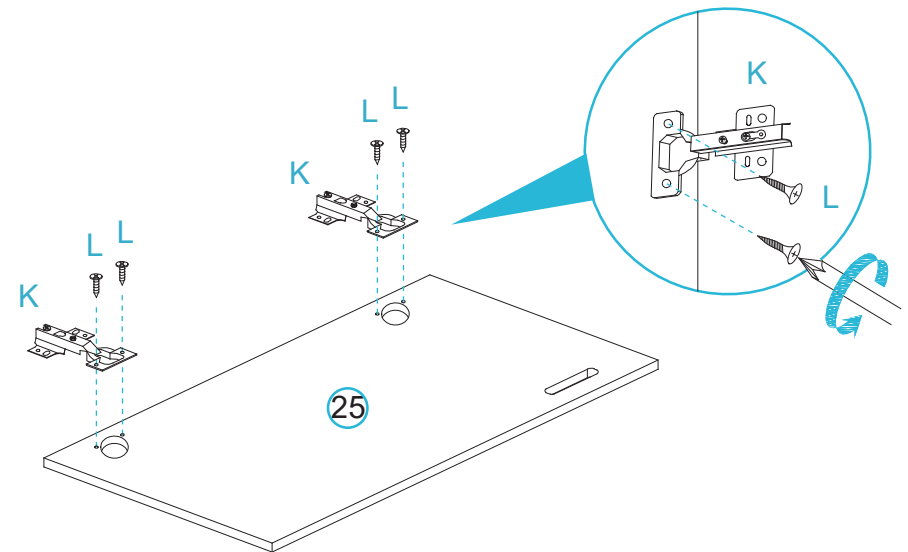
mocka

19



Attach 2 x hinge (K) to panel [23] and secure with 4 x small screw (L).
Attach 2 x hinge (M) to panel [24] and secure with 4 x small screw (L).
Tighten with a screwdriver.

20



Attach 2 x hinge (K) to panel [25] and secure with 4 x small screw (L).
Tighten with a screwdriver.

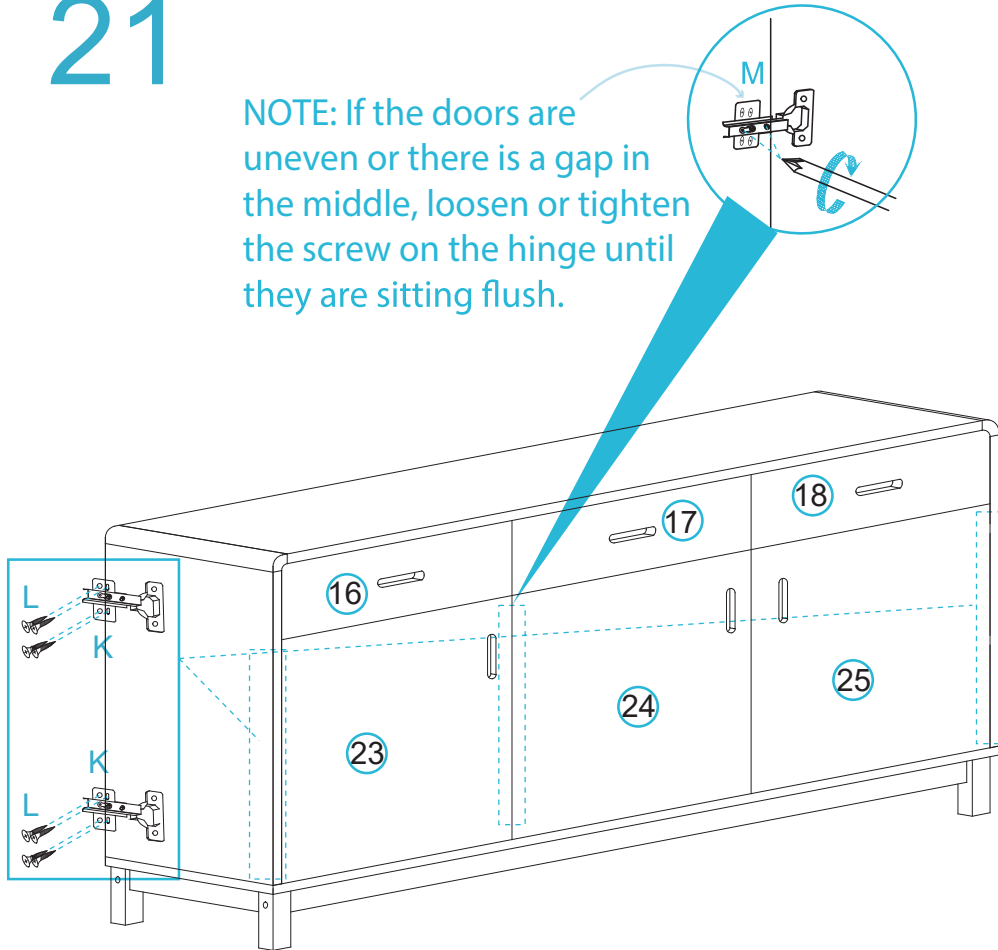
Tahoe Buffet

Assembly Instructions

Thank you for your purchase.
Please follow the instructions below for correct assembly.

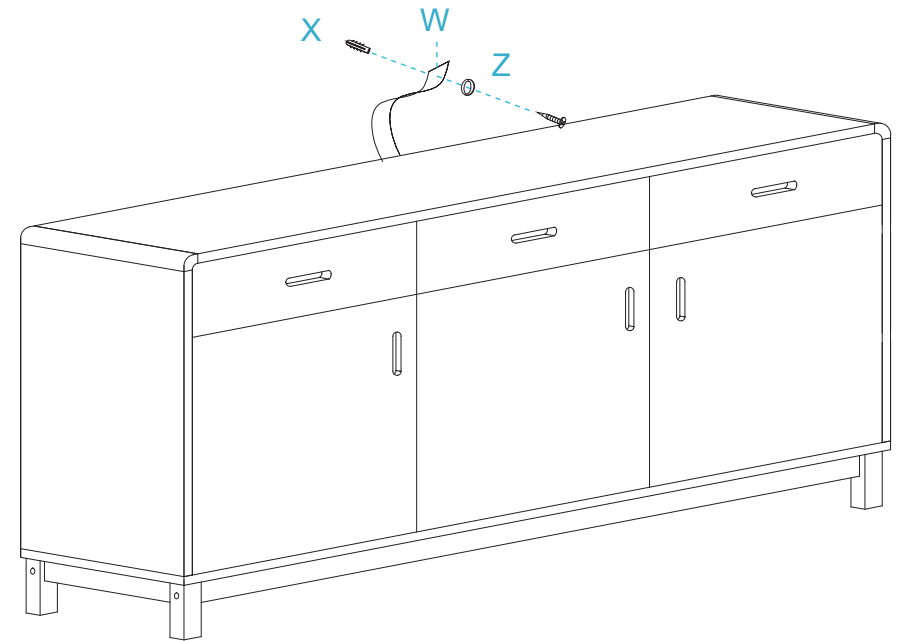
21

NOTE: If the doors are uneven or there is a gap in the middle, loosen or tighten the screw on the hinge until they are sitting flush.



Attach panel [23] and [24] and [25] to panel as shown. Secure with 24 x screws (L). Tighten with a screwdriver

22



Move the unit into the desired location up against a wall. Use a drill to create a small hole lining up with the top of the 2x safety strap (W). Fasten to the wall using 1x wall anchor (X), 1x washer (Z) and 1x long screw. Ensure the unit is balanced and steady before use. You're done, enjoy!