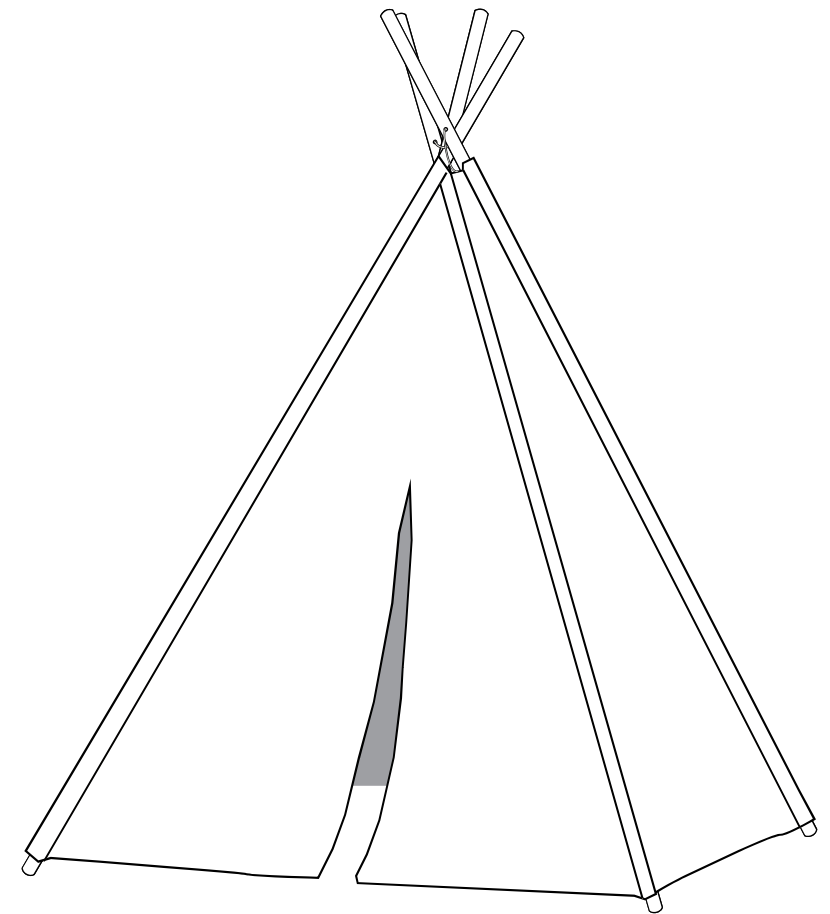
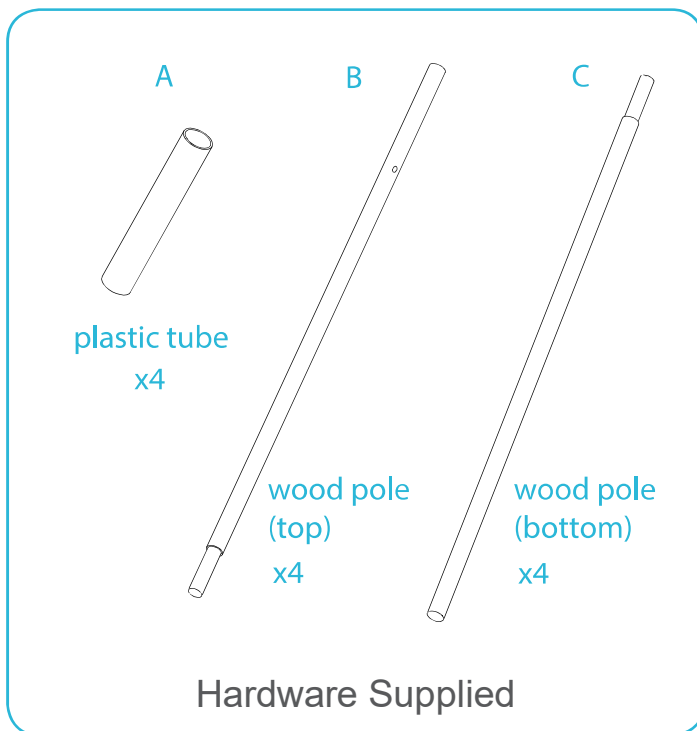


Henley & Spots Teepees

Assembly Instructions

Thank you for your purchase.
Please follow the instructions below for correct assembly.

mocka



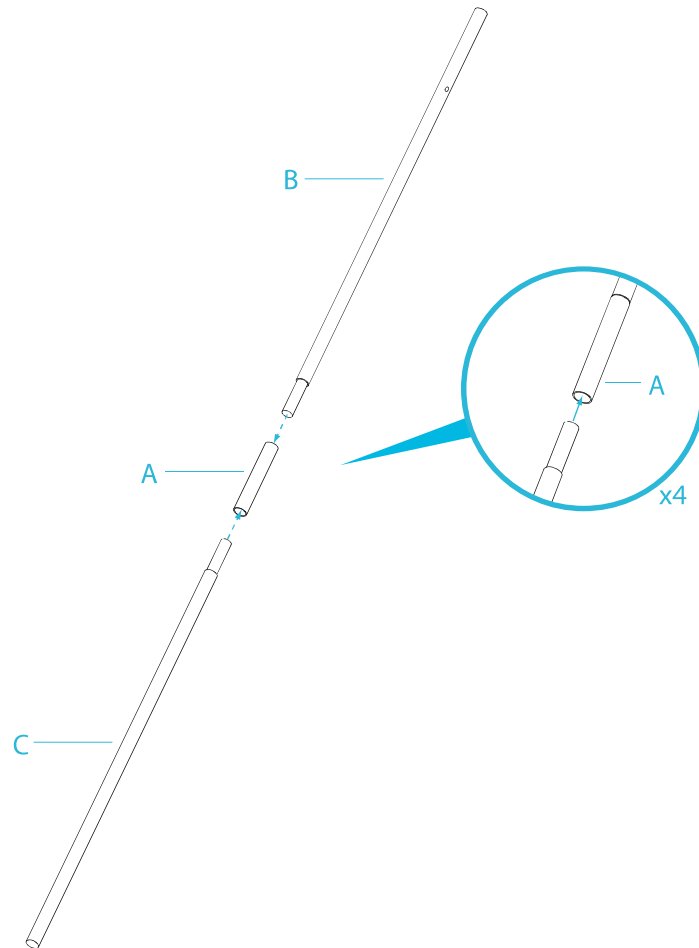
WARNING: KEEP AWAY FROM FIRE/FLAME
ASSEMBLY OF THIS ITEM SHOULD BE PERFORMED BY AN ADULT ONLY

Henley & Spots Teepees

Assembly Instructions

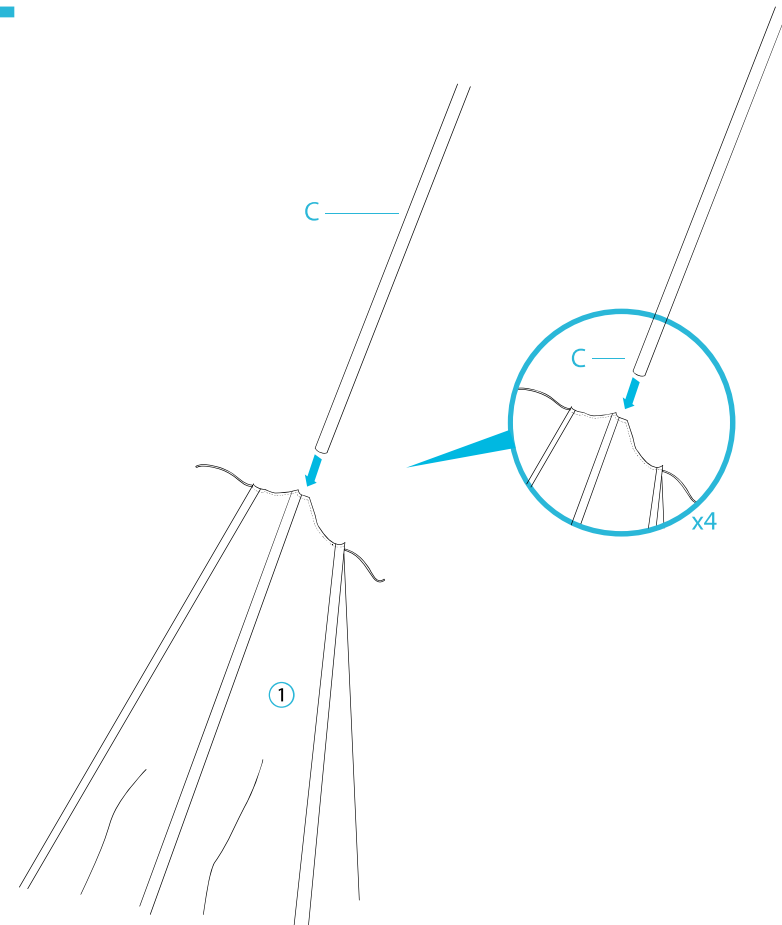
mocka

1



To begin assembly, connect wooden poles (B) and (C) together with the plastic tube (A) as shown. Repeat until all four poles are assembled.

2



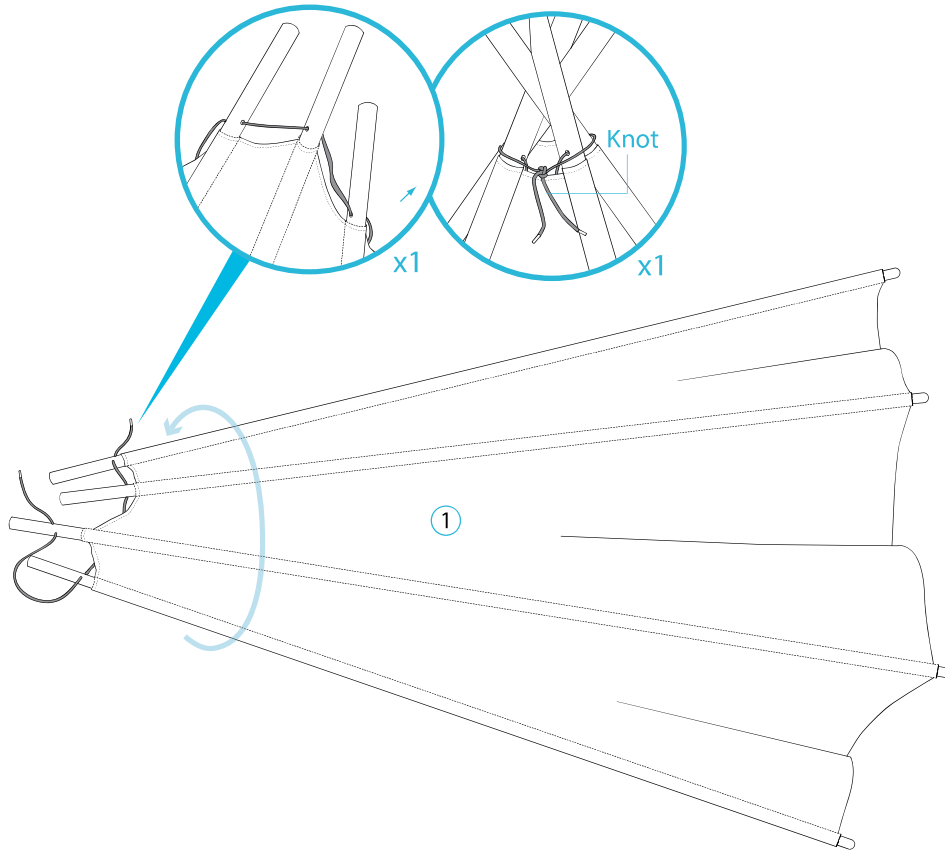
Insert four complete poles, one at a time, into the side channels on the inside of the teepee canvas. Ensure the wooden poles (B) with hole are at the top. Slide each pole right to the base of the canvas channel.

Henley & Spots Teepees

Assembly Instructions

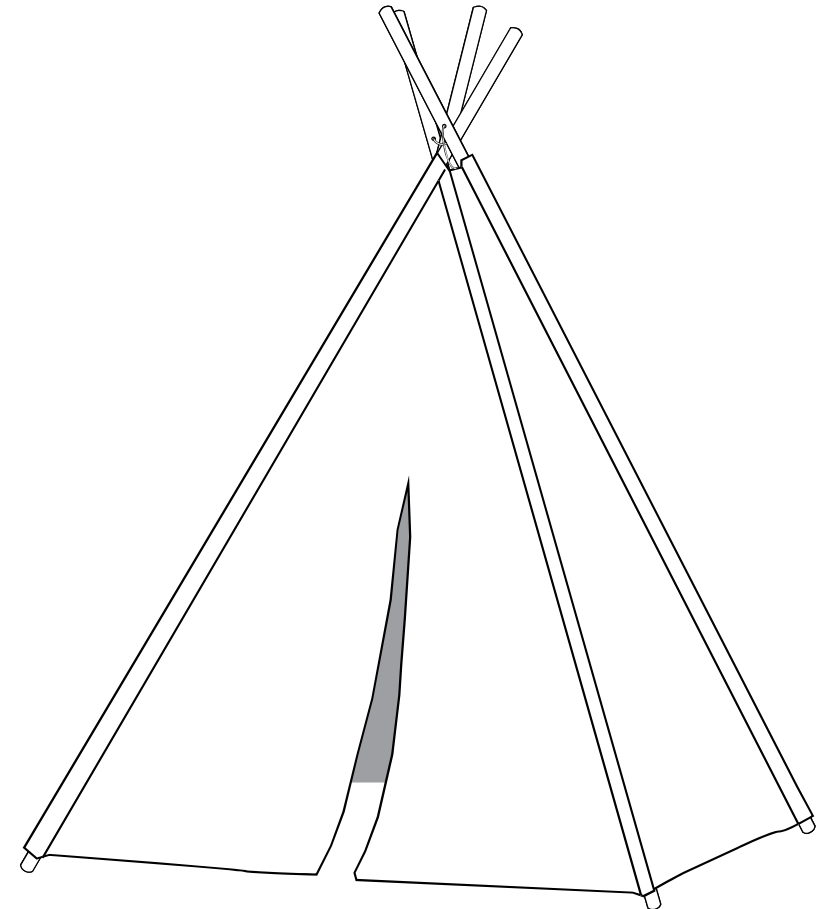
mocka

3



Attach wood poles together using the cotton string at the top of the canvas. Lie the teepee flat and bunch the ends together. Thread the string through the holes in the pole, alternating each time (keeping all poles bunched together). Tie the ends of the string together securely.

4



All done! Ensure all teepee poles are fully extended and the fabric in each section is taut. The fabric should not sag between poles if all poles are fully extended. Enjoy!