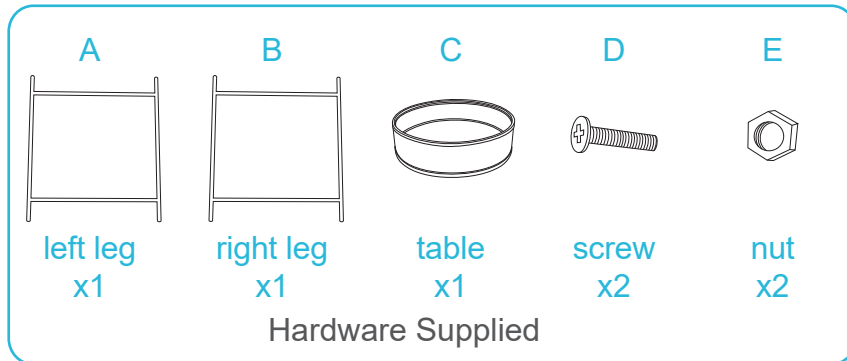


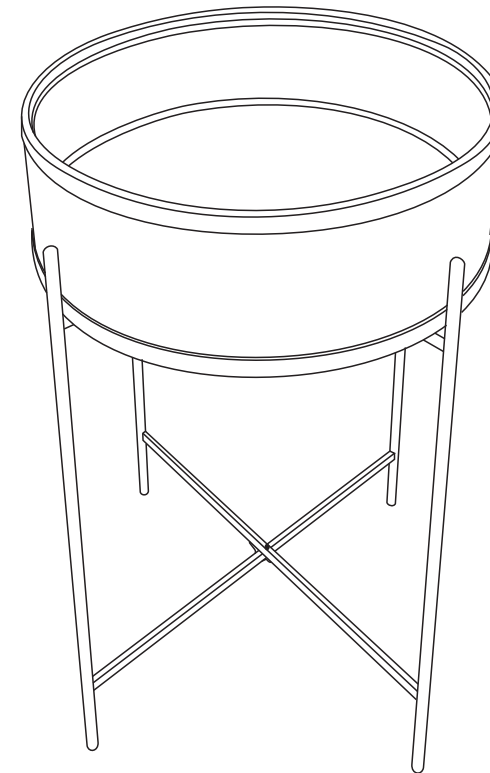
# Southport Rattan Décor Stand

## Assembly Instructions

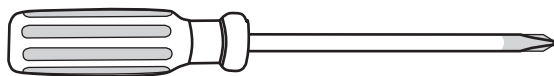
Thank you for your purchase.  
Please follow the instructions below for correct assembly.



# mocka



Maximum Weight: 5kgs



Phillips screwdriver required.

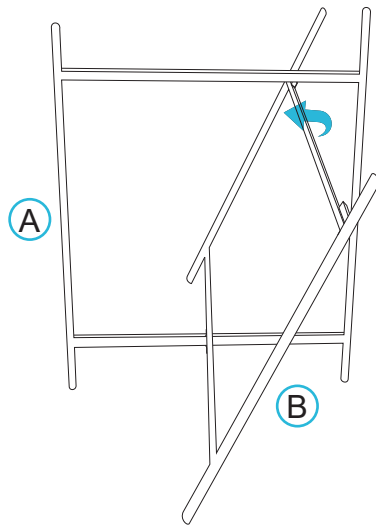
For quicker assembly, we recommend the use of a power drill on a low-speed setting.

# Southport Rattan Décor Stand

## Assembly Instructions

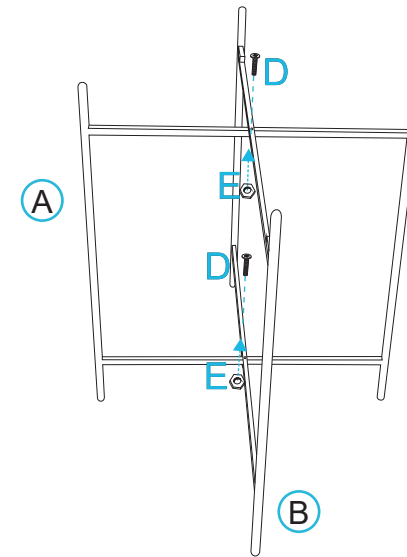
mocka

1



Slide legs [A] and [B] together as shown.

2



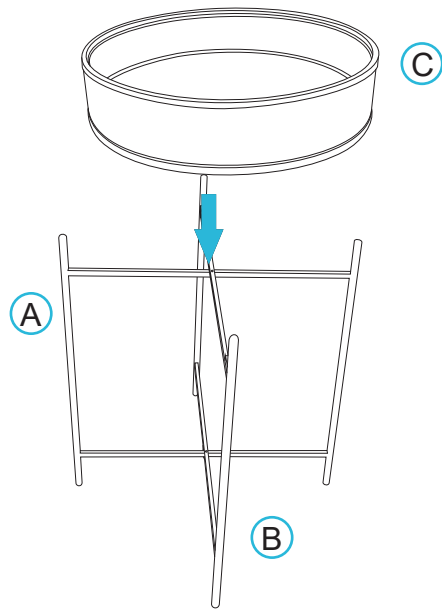
Attach legs [A] and [B] together as shown and secure with 2 x screws (D) and 2 x nuts (E). Tighten with a screwdriver.

# Southport Rattan Décor Stand

## Assembly Instructions

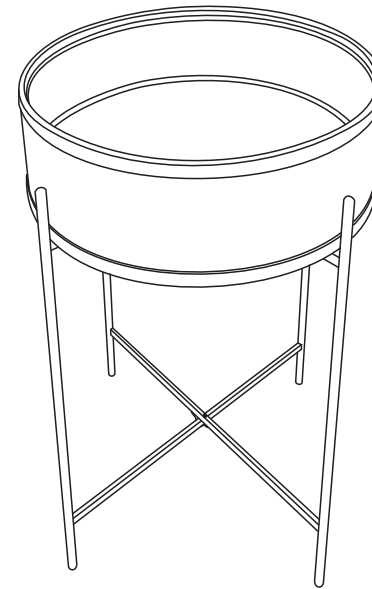
mocka

3



Place table [C] between legs [A] and [B] as shown.

4



Once assembled lift furniture into place, do not drag. Ensure unit is balanced and steady before use. You're done, enjoy!