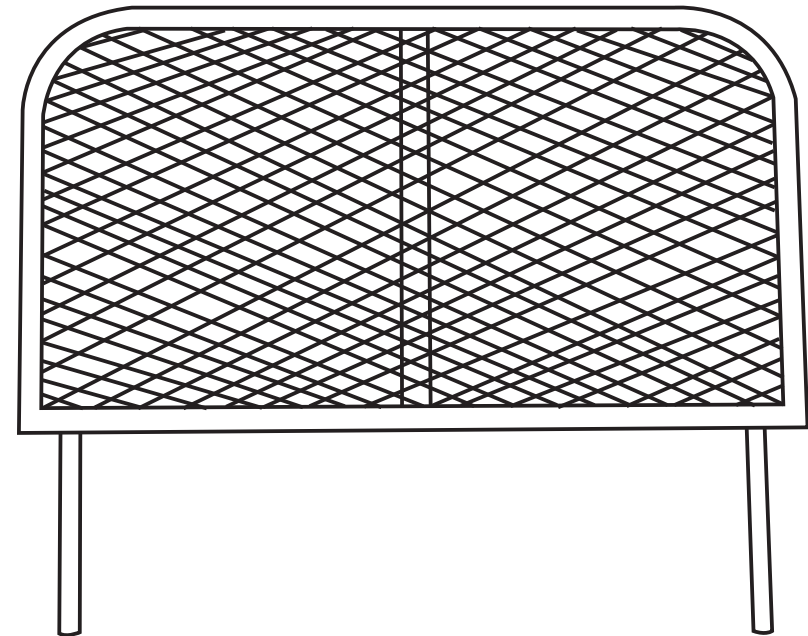
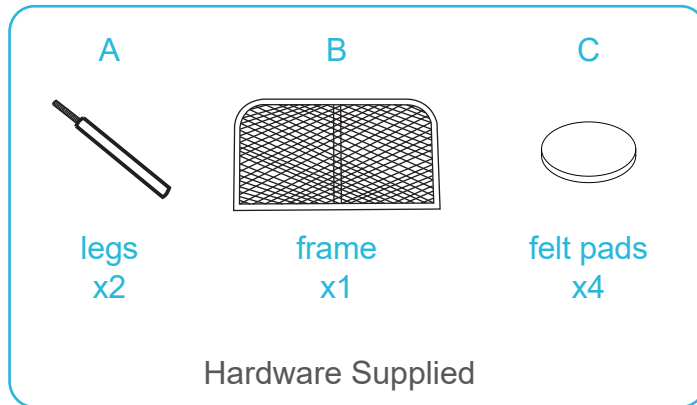


# Southport Rattan Bedhead

## Assembly Instructions

Thank you for your purchase.  
Please follow the instructions below for correct assembly.

# mocka

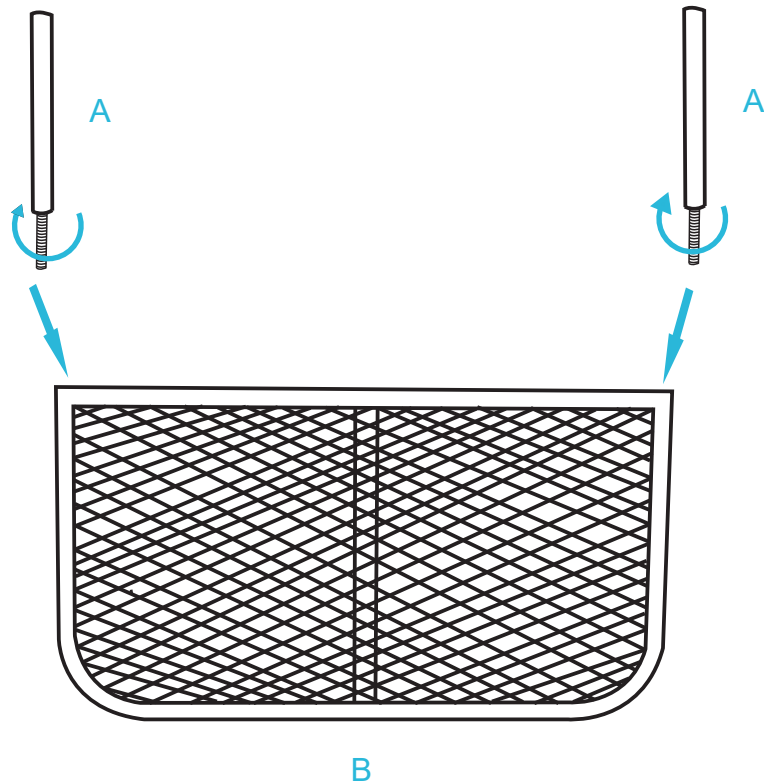


# Southport Rattan Bedhead

## Assembly Instructions

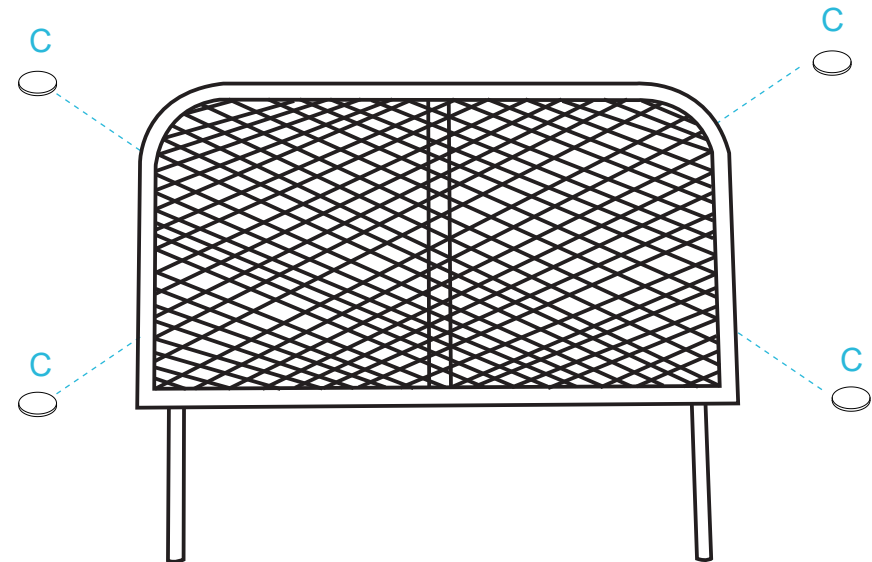
mocka

1



Attach 2 x legs (A) to frame (B). Twist legs to tighten.

2



Attach the 4x felt pads (C) to the back corners of the bedhead to prevent marking walls. Once assembled lift into place, do not drag. You're done, enjoy!