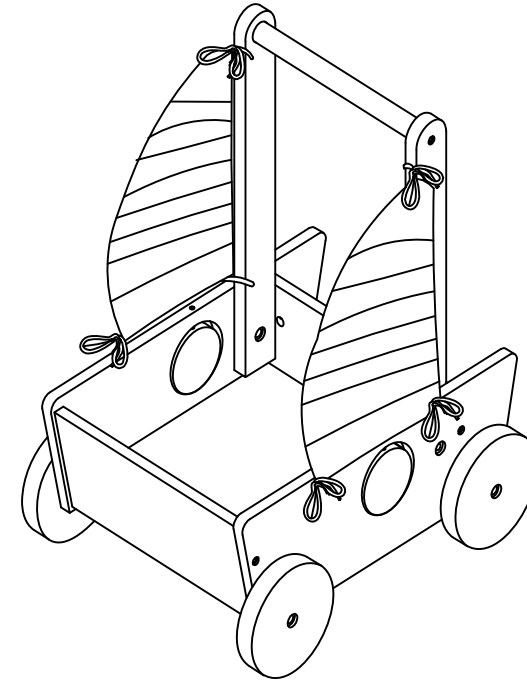
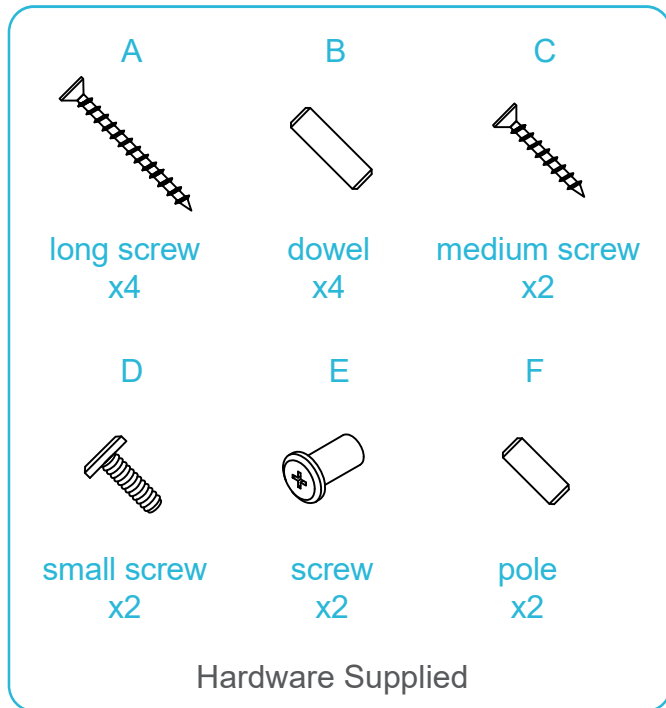


Sail Boat Toy Cart

Assembly Instructions

Thank you for your purchase.
Please follow the instructions below for correct assembly.

mocka



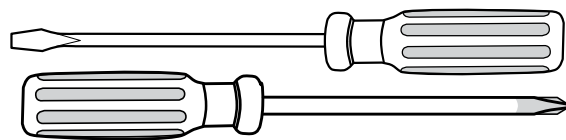
WARNING: Due to the small size of the hardware and the sharp points of the screws, they are potentially hazardous.

Keep all assembly parts and packaging materials out of reach of children.

Retain packaging information for future reference

The toy must be assembled by an adult. When using the toy, adult supervision is required. Check the toy regularly for loose or broken parts. Use the cart on a level surface, away from the road and obstacles.

Recommended age 12 months +



Phillips & Flathead screwdrivers required.

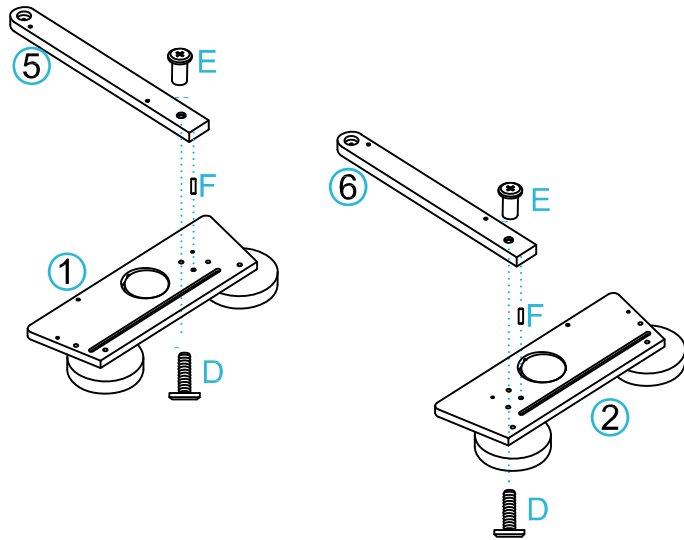
For quicker assembly, we recommend the use of a power drill on a low-speed setting.

Sail Boat Toy Cart

Assembly Instructions

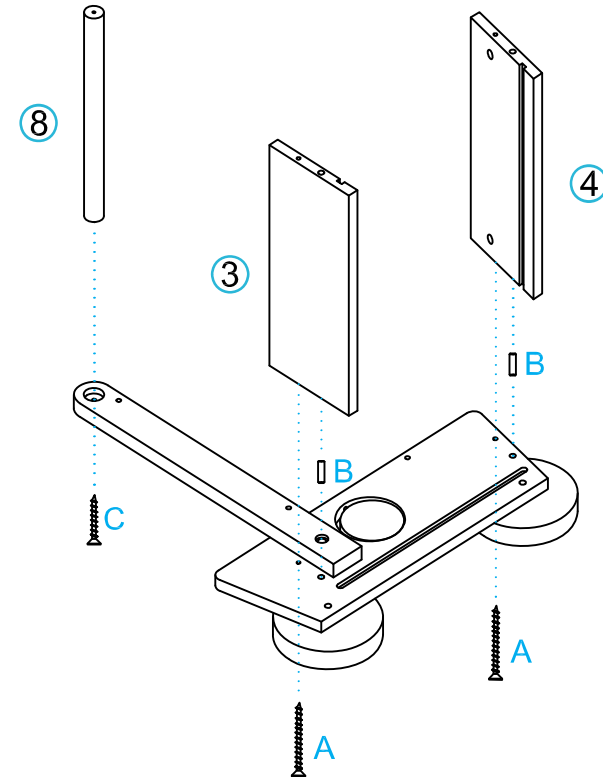
mocka

1



Insert 2 x dowels (F) into panels [1] and [2] as shown. Attach panels [5] and [6] to panels [1] and [2] and secure with 2 x screws (E) and 2 x small screws (D). Tighten with a screwdriver,

2



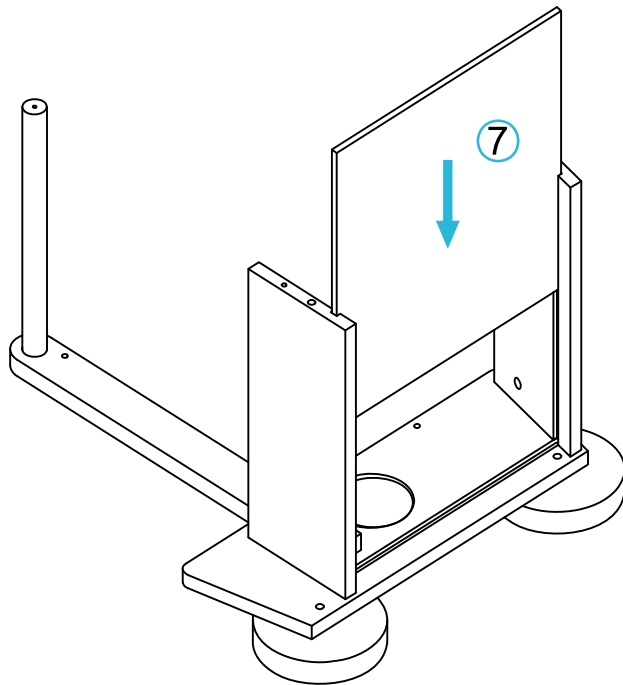
Insert 2 x dowels (B) into panels [3] and [4] as shown. Attach panels [8], [3] and [4] to assembled frame and secure with 1 x medium screw (C) and 2 x large screws (A). Tighten with a screwdriver.

Sail Boat Toy Cart

Assembly Instructions

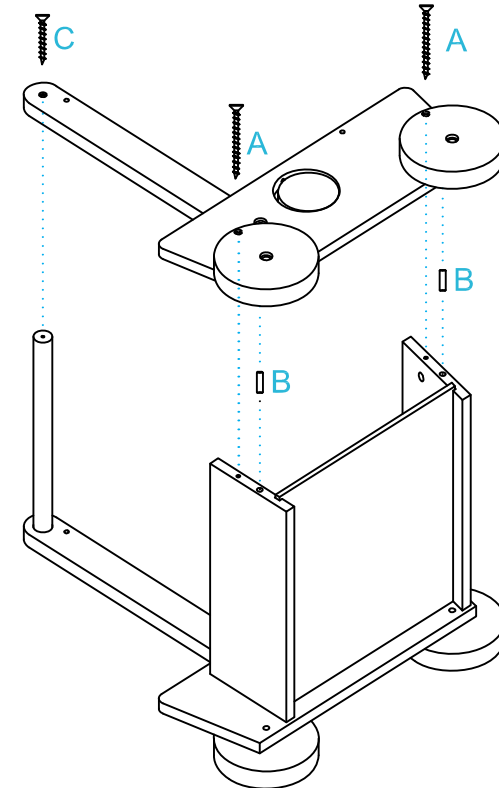
mocka

3



Slide panel [7] into position as shown.

4



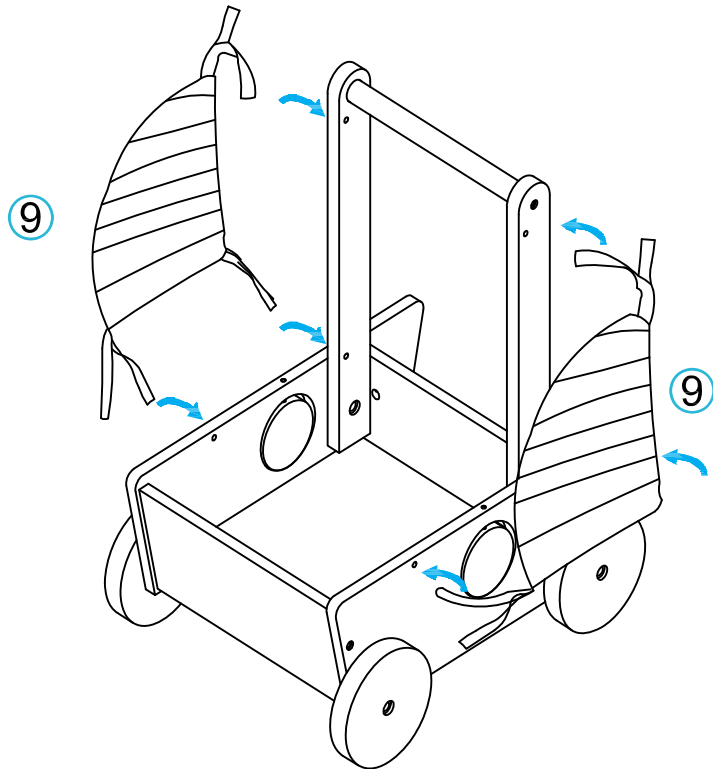
Insert 2 x dowels into assembled frame as shown. Attach side as shown and secure with 1 x medium screw (C) and 2 x large screws (A). Tighten with a screwdriver.

Sail Boat Toy Cart

Assembly Instructions

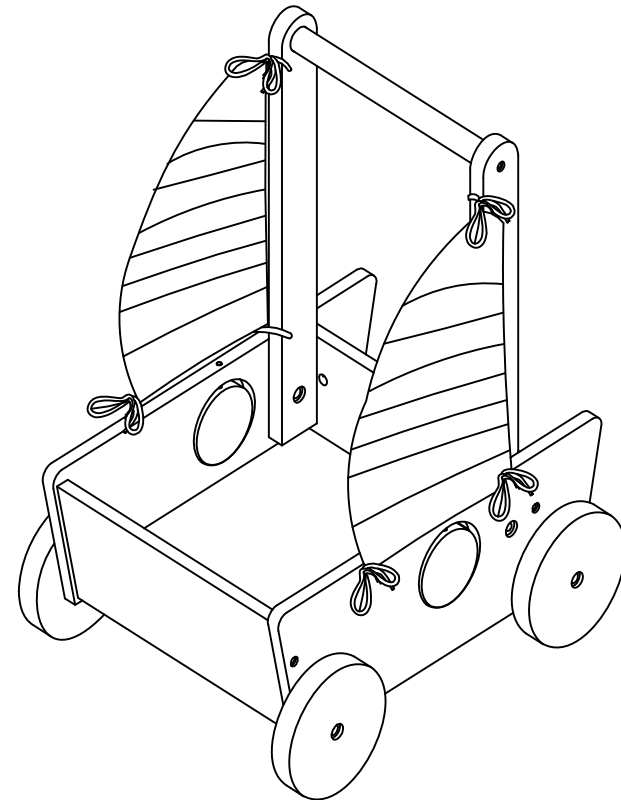
mocka

5



Tie panels [9] to assembled frame as shown.

6



You're done, enjoy!