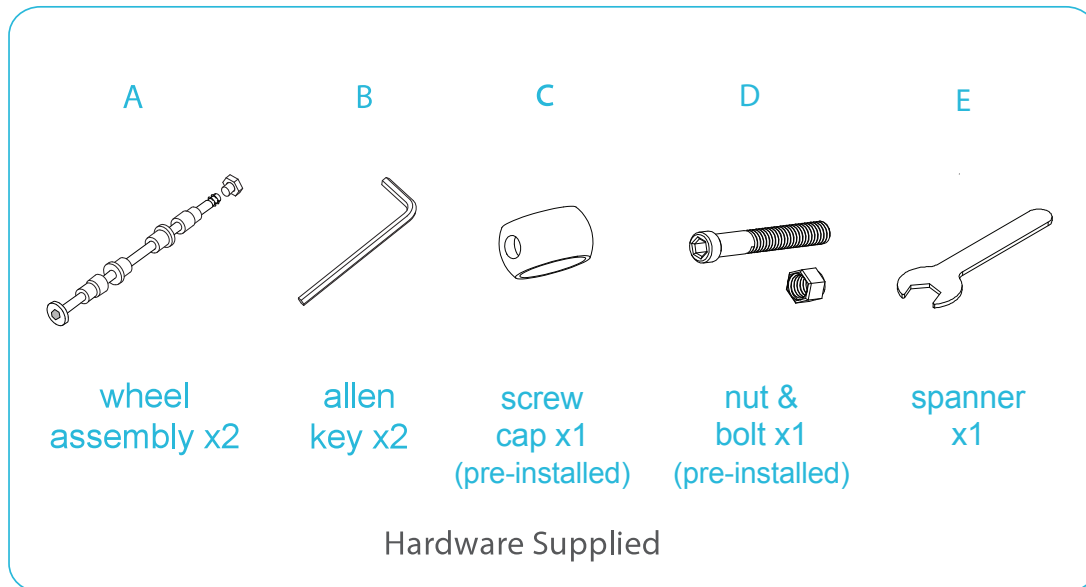


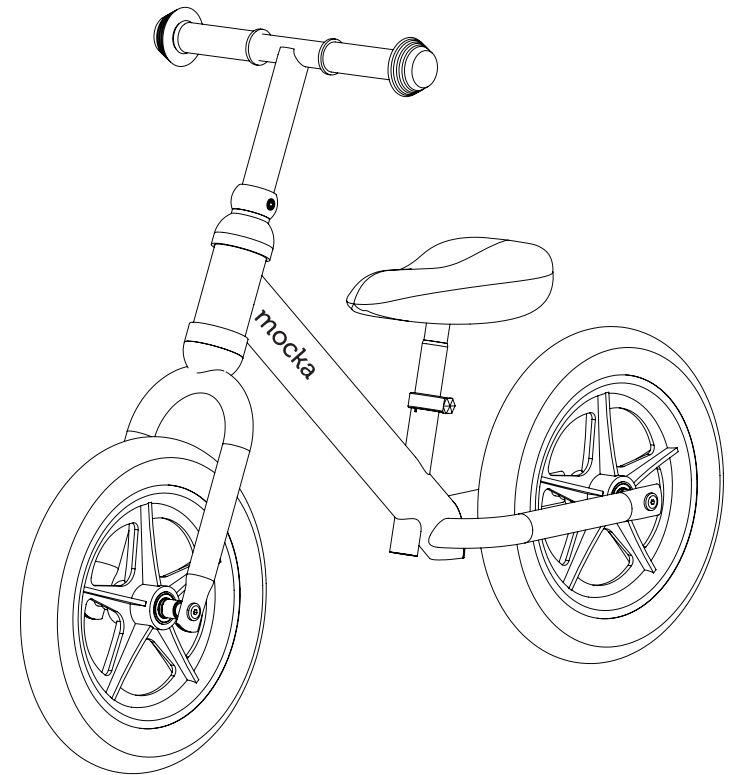
Rocket Bikes

Assembly Instructions

Thank you for your purchase.
Please follow the instructions below for correct assembly.



mocka



**ALL nuts and bolts must be checked and tightened before first use.
Regularly check all screws are tight to ensure safety.**

Mocka Rocket Bikes are designed for children aged 18 months - 4 years. These bikes should not be used on public roads or near traffic. Wearing a helmet is advisable. Only one child at a time should use the bike. Recommended for children under 30kgs.

Adult supervision is strongly recommended at all times. Ensure your child is confident the bikes to ensure safety. All screws, steering and axles must be checked by an adult before use.

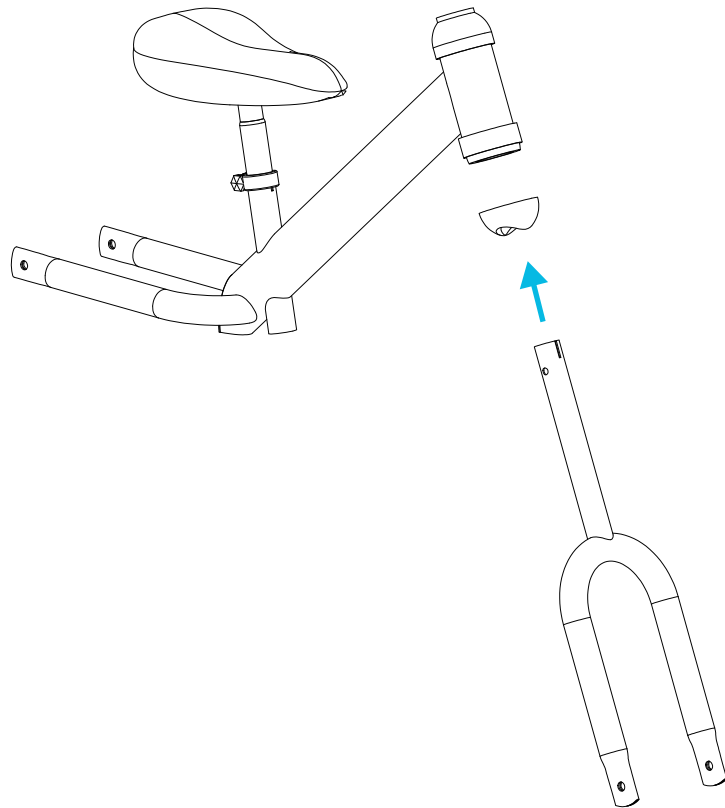
Please keep your bike protected from water and moisture, they should not be left outside for long periods of time and should be dried down after use. Clean with a damp cloth - do not use chemical spray cleaners.

Rocket Bikes

Assembly Instructions

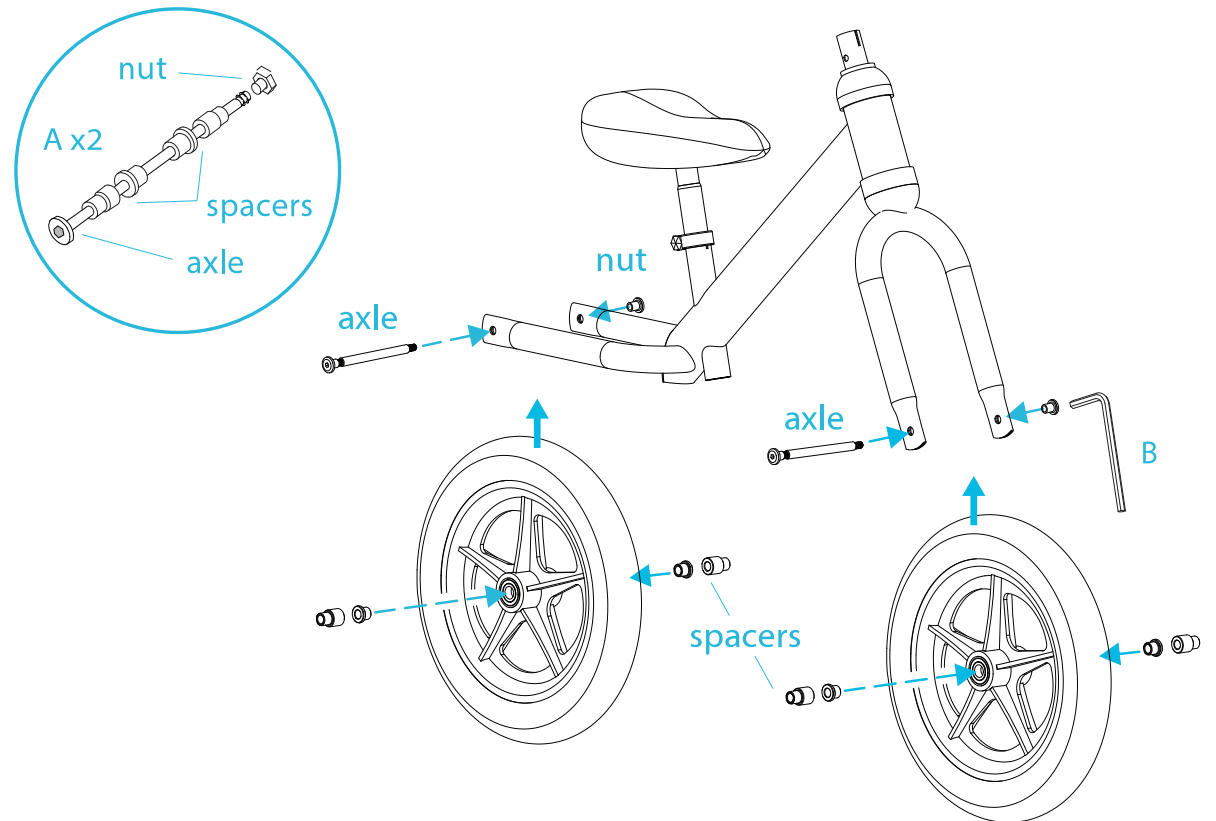
mocka

1



Attach the two main parts of the bike frame together with the connector as shown.

2



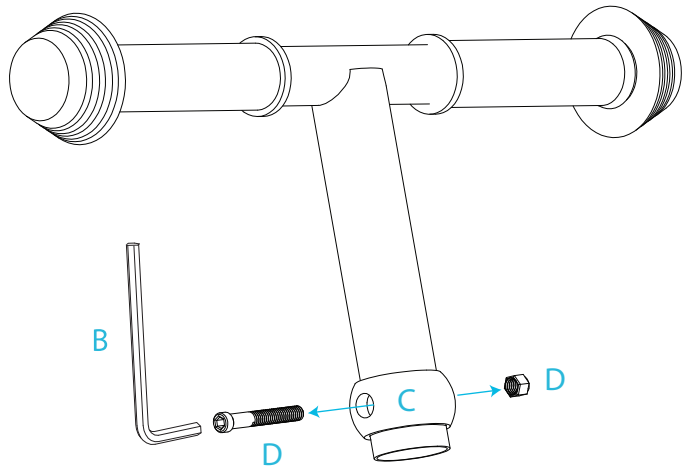
Separate the 2x wheel assemblies (A) into individual components. Put the axle through one side of the wheel frame, thread on two spacers and put on the wheel. Thread the other two spacers and attach the nut. Tighten with 2x allen keys (B), one on each side. Repeat to attach the other wheel.

Rocket Bikes

Assembly Instructions

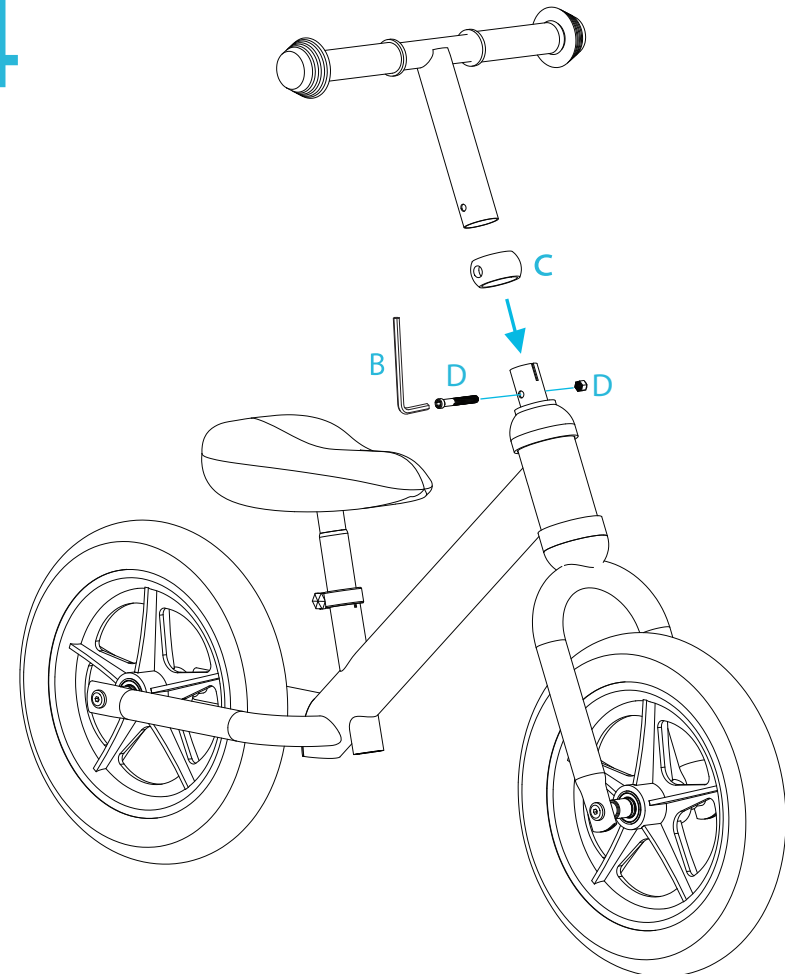
mocka

3



Unscrew the nut and bolt (D) to remove it from the screw cap (C) using an allen key (B).

4



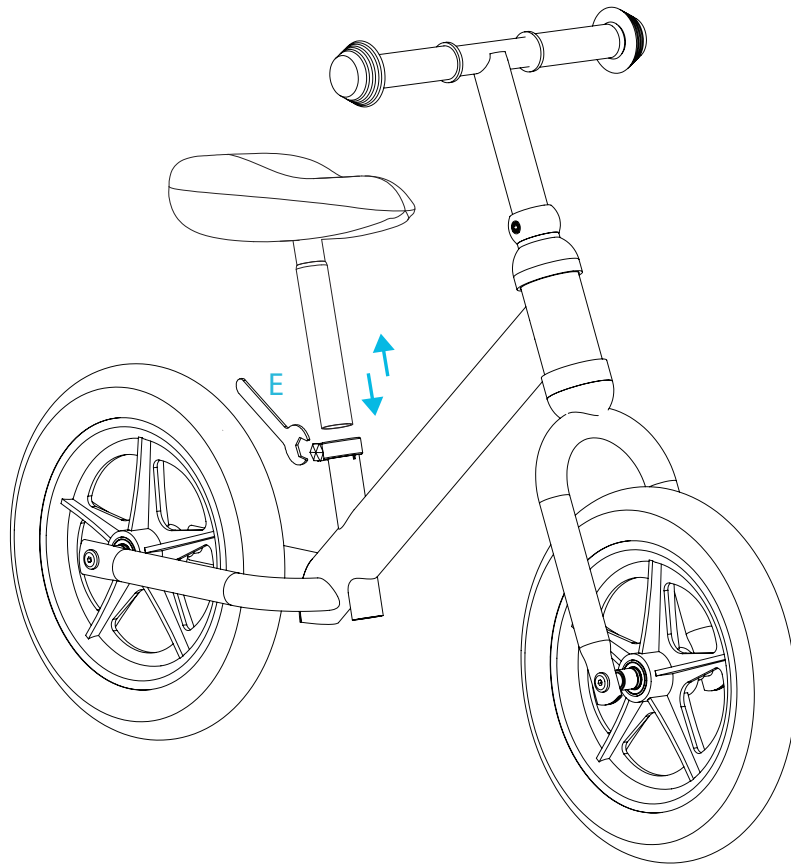
Thread the screw cap (C) onto the pole, then attach the handlebars to the frame using the bolt (D) and nut (D) as shown. Tighten with an allen key (B).

Rocket Bikes

Assembly Instructions

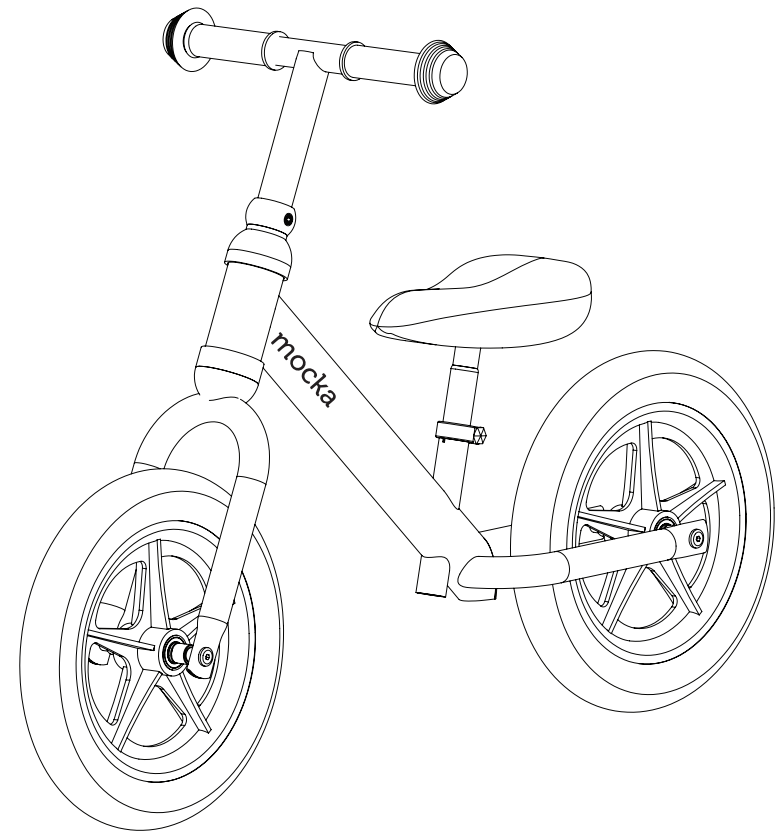
mocka

5



To adjust the seat, loosen the nut with the spanner (E) and slide the pole up or down into the desired location then re-tighten the nut.

6



You're done, enjoy!