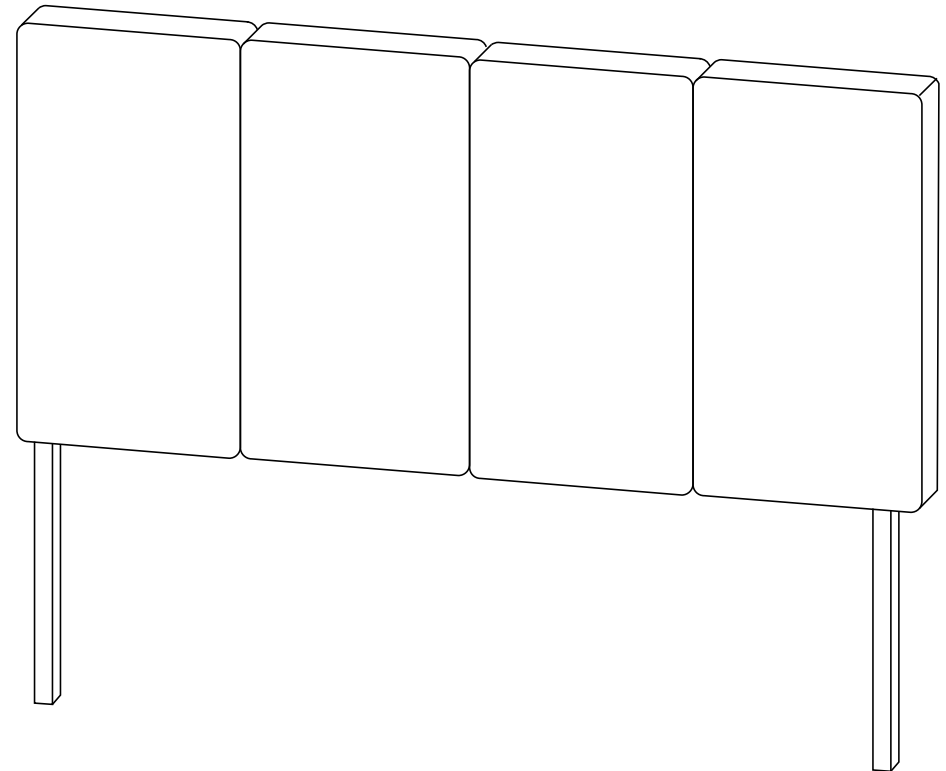
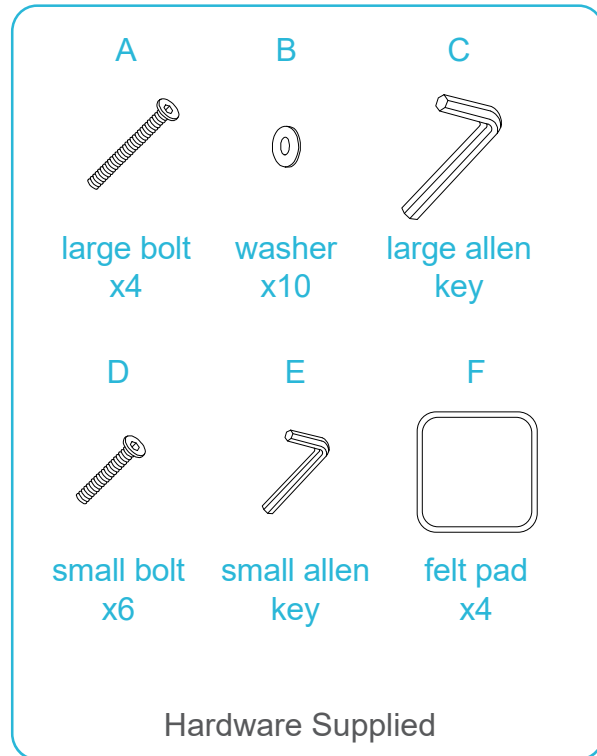


Regent Bedhead - Double, Queen & King

Assembly Instructions

mocka

Thank you for your purchase.
Please follow the instructions below for correct assembly.



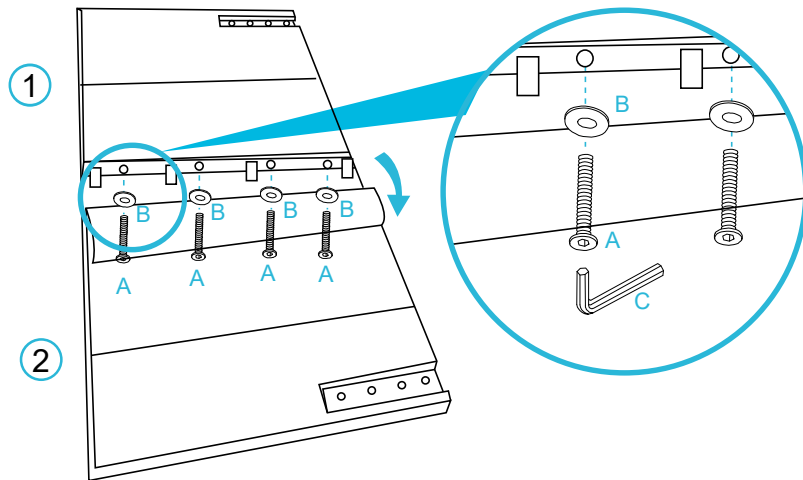
ATTENTION:
DO NOT TIGHTEN THE SCREWS FULLY DURING ASSEMBLY.
FULLY TIGHTEN SCREWS AFTER THE FINAL ASSEMBLY STEP.

Regent Bedhead - Double, Queen & King

Assembly Instructions

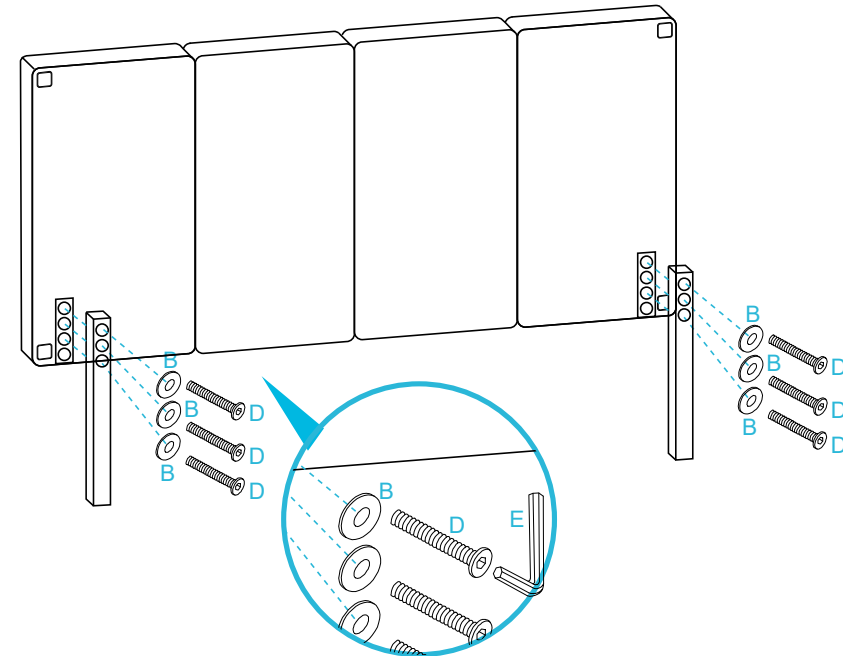
mocka

1



Lift back the velcro flap on the back of the headboard. Attach panel [1] and panel [2] together and secure with 4 x washers (B) and 4 x bolts (A). Tighten with an Allen Key (C). Secure the flap back onto the headboard by pressing down on the velcro.

2



Attach 2 x legs to the back of the bedhead, at your preferred height, and secure with 6 x washers (B) and 6 x bolts (D). Tighten with an Allen Key (E). Attach the 4x felt pads (F) to the back corners of the bedhead to prevent marking walls. Once assembled lift into place, do not drag. You're done, enjoy!