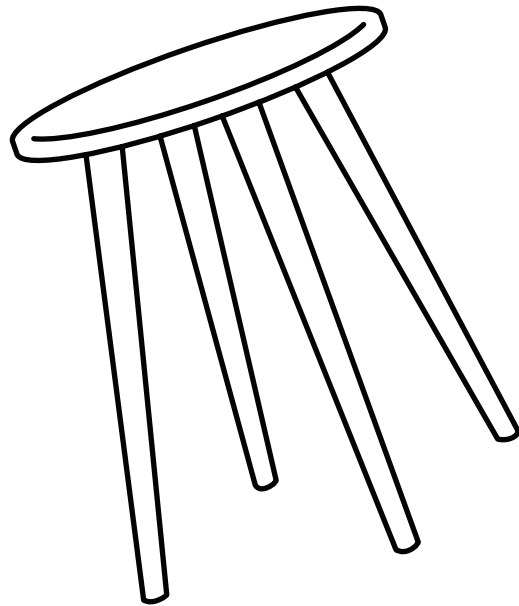
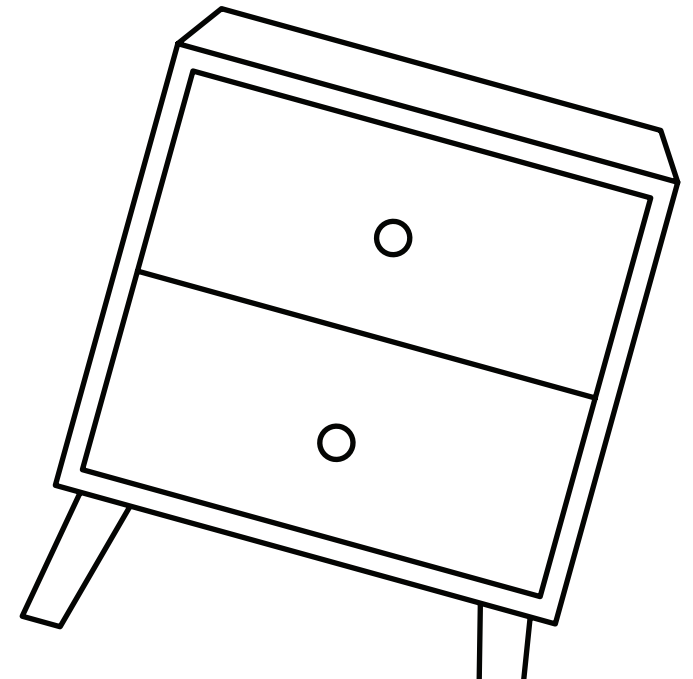


Hello,
I've arrived!

Now that I'm here you are only one
flat-pack away from transforming
your home.



Mocka.

Thank you for supporting us.

We believe design belongs to everyone. From materials and processes to safety testing, production and delivery, we are passionate and committed to bringing you the best possible product so you can create beautifully functional spaces to feel comfortably you.

Here are a few assembly tips before you get started:



Make Time

The first step to all seamless assembly is taking a moment to carefully read through the instructions—you are already on your way to creating a beautifully functional space!



Set The Mood

Put on your favourite playlist, order that pizza and pour yourself a drink to get in the mood!



Tool Check

Layout the instructions, screws and panels to check you have everything you need. A blanket or soft floor rug will help protect your new favourite item from scratches and a drill will speed up the assembly too!



Room Reveal

You did it! Take a step back and enjoy the moment. Don't forget to recycle any packaging and share a pic of your room reveal - we love seeing how you transform your home! Tag us @mockaaustralia/@mockaanz

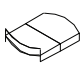





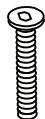
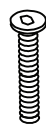
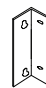
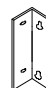


Happy flat-packing!

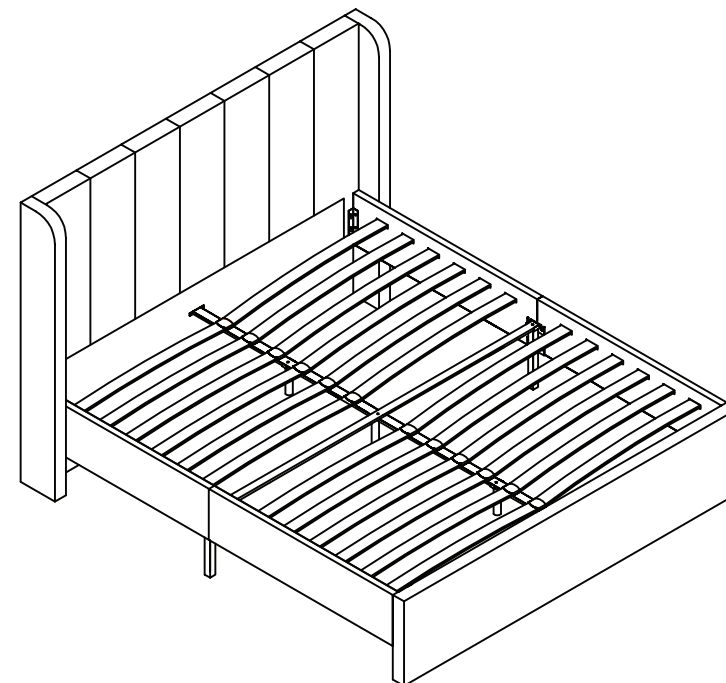
The Mocka Team

Quinn Single, Double and King Single Bed

Thank you for purchasing Quinn Single, Double and King Single Bed. Please follow the manufacturer's assembly instructions in detail.

*** IMPORTANT NOTICE ***
 When moving the bed, please lift off the ground with two people, DO NOT drag, push or pull the bed across the floor, as this can result in damage to the supporting leg.

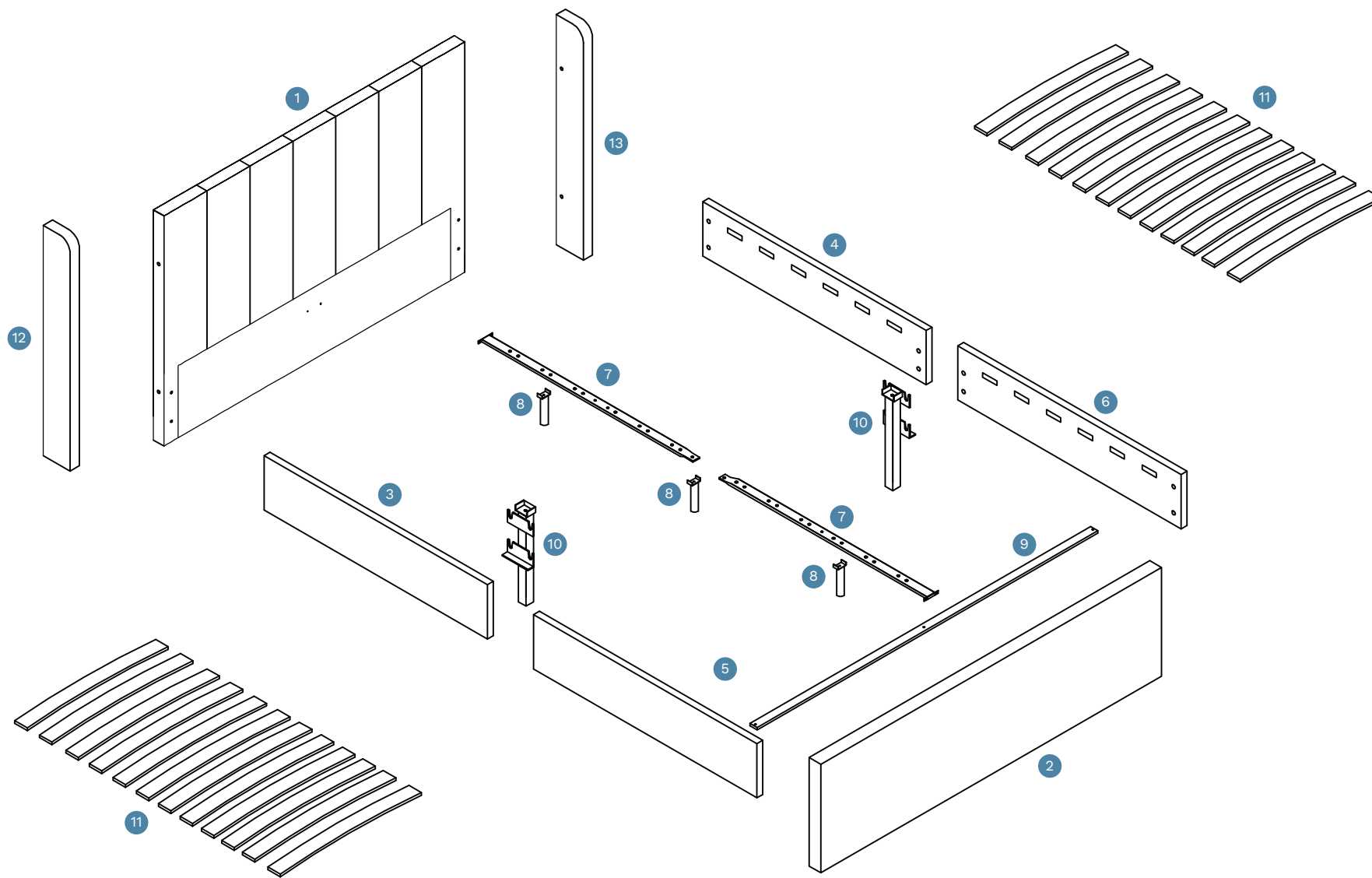
A  double cap x12	B  25mm bolt x8	C  spring washer x8	D  washer x12	E  25mm bolt x4
F  20mm bolt x 12	J  40mm bolt x 4	H  35mm bolt x1	L  left plate x2	R  right plate x2
T-1  small allen key x1	T-2  large allen key x1	HARDWARE SUPPLIED		



Phillips & Flathead screwdrivers required.

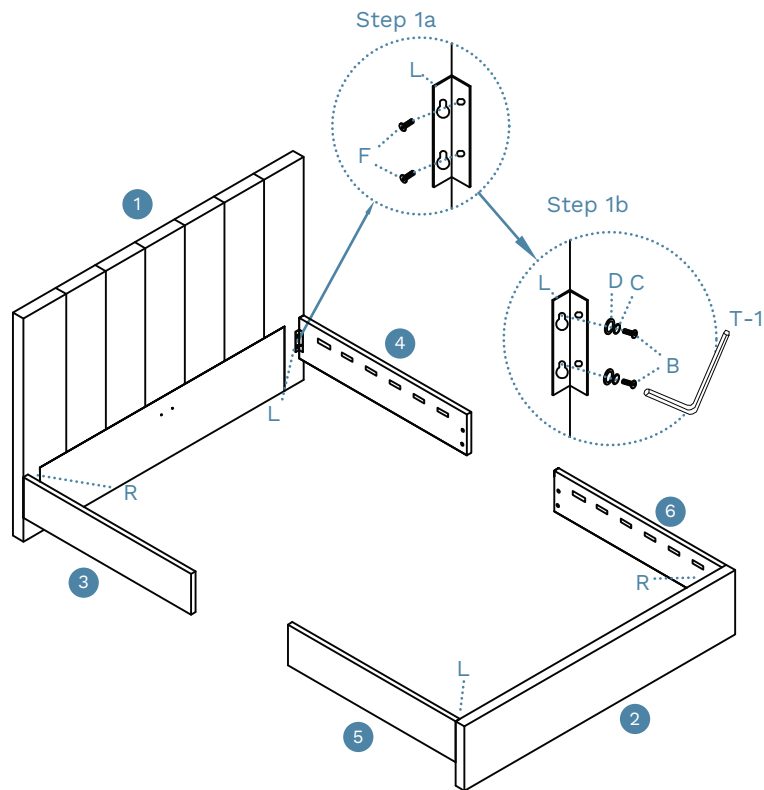
For quicker assembly, we recommend the use of a power drill on a low-speed setting.

Quinn Single, Double and King Single Bed



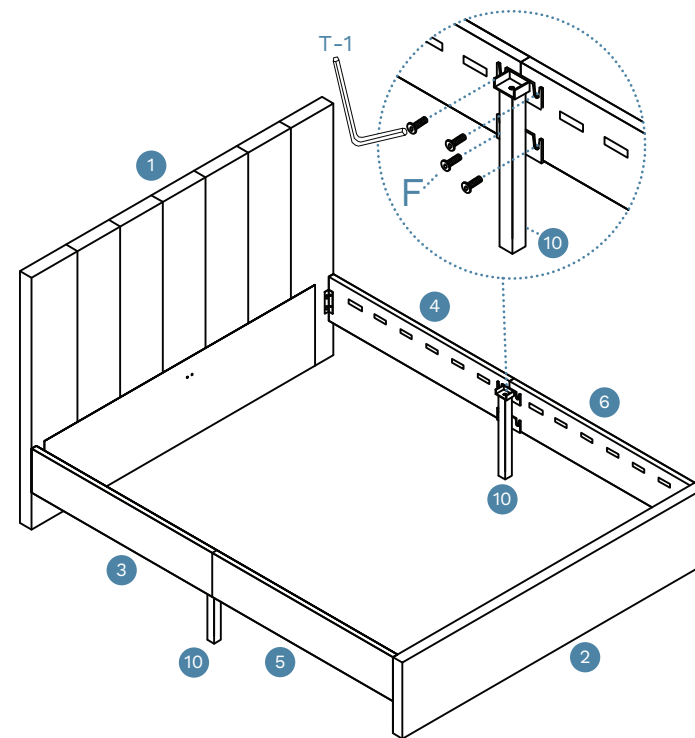
Quinn Single, Double and King Single Bed

1



Attach 2 x left plates (L) and 2 x right plates (R) to panels [3], [4], [6] and [5] as shown in Step 1a and Step 1b and secure with 8 x bolts (F), 8 x bolts (B), 8 x spring washers (C) and 8 x washers (D). Tighten with an Allen Key (T-1).

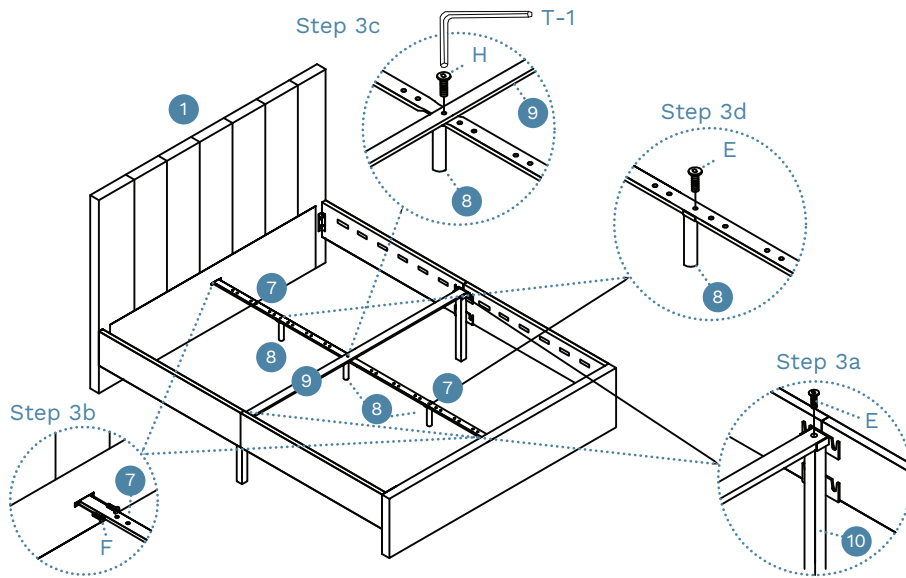
2



Attach 2 x panels (10) to assembled frame as shown and secure with 8 x bolts (F). Tighten with an Allen Key (T-1).

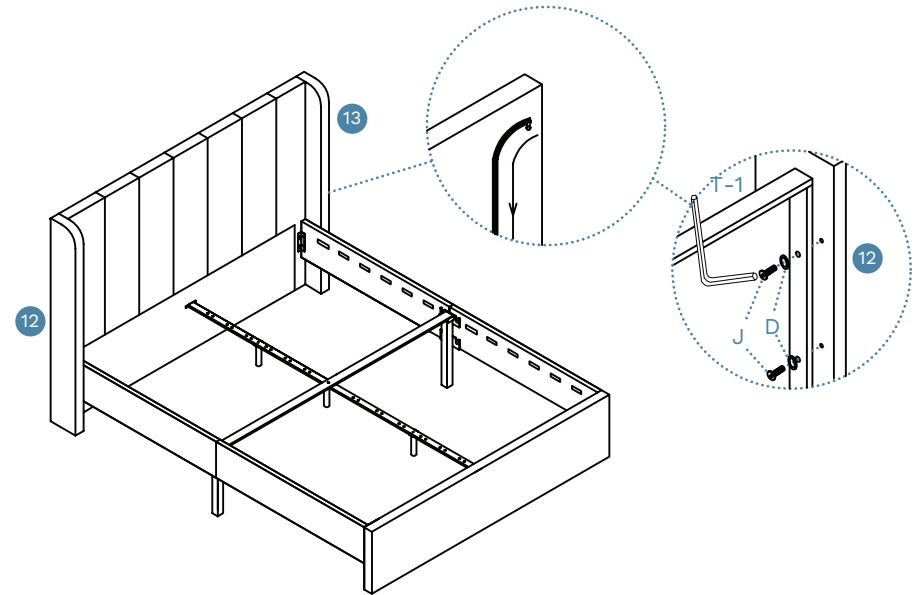
Quinn Single, Double and King Single Bed

3



Step 3a: Attach Panel (9) to assembled frame as shown and secure with 2 x bolts (E).
 Step 3b: Attach Panel (7) to assembled frame as shown and secure with 2 x bolts (F).
 Steps 3c and 3d: Attach Panel (8) to assembled frame as shown and secure with 1 x bolt (H). Tighten with an Allen Key (T-1).

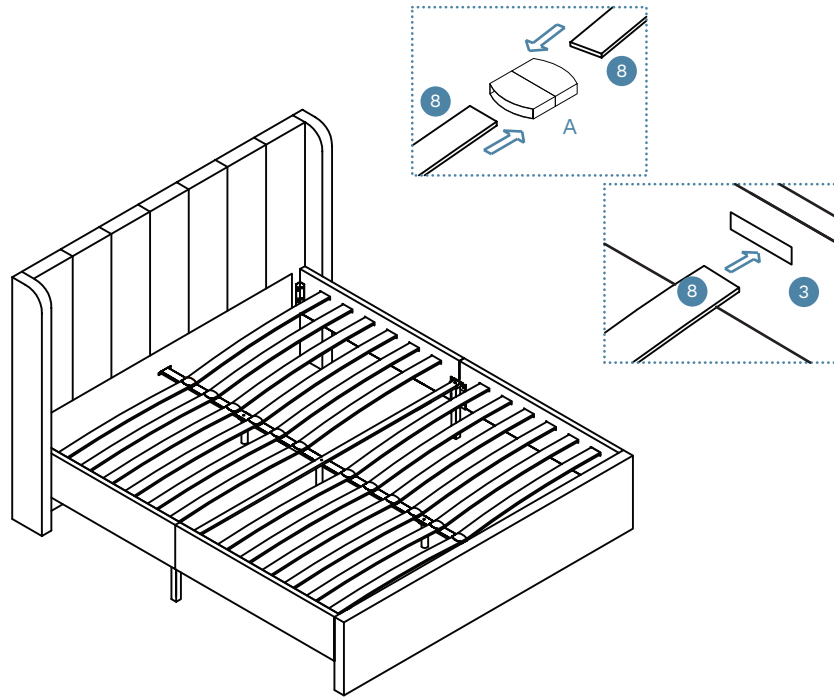
4



Attach panels (12) and (13) to assembled frame as shown and secure with 4 x bolts (J) and 4 x washers (D). Tighten with an Allen Key (T-1).

Quinn Single, Double and King Single Bed

5



Join the bed planks together in the middle of the frame using 12x double caps (A). Insert the end of the planks into the bed frame as shown and attach the double caps (A) into panel [4]. Make sure the double caps (A) click securely into place.

6



Once assembled lift furniture into place, do not drag. Ensure unit is balanced and steady before use. You're done, enjoy!