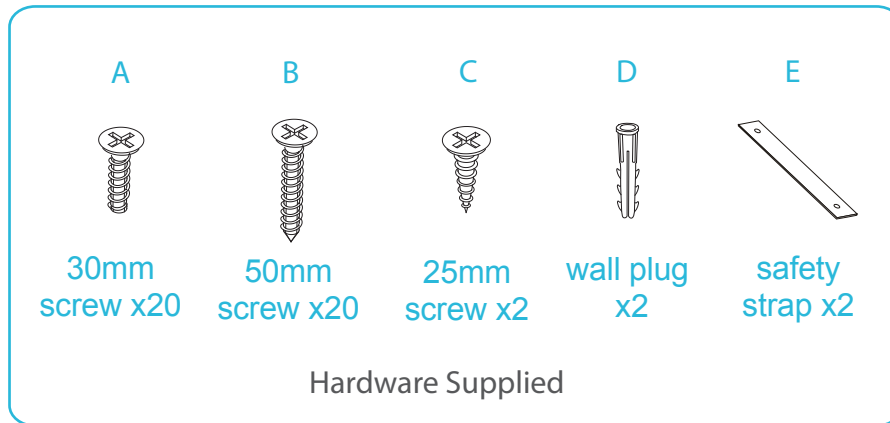


Porto Five Shelves

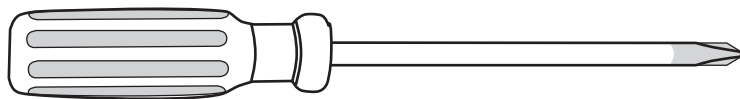
Assembly Instructions

Thank you for your purchase.
Please follow the instructions below for correct assembly.

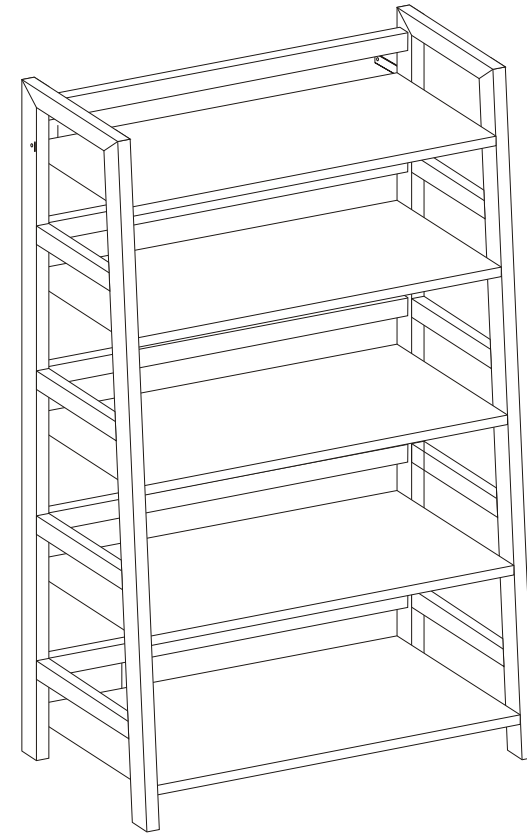
mocka



WARNING: Any furniture that is not anchored to a wall has the potential to tip over in certain circumstances, i.e. if a child attempts to climb up on the furniture or in the event of an earthquake. Accordingly, we recommend that all furniture is anchored to a wall. We supply a free safety wall anchor with all furniture sold and we recommend these are used to prevent your product tipping. The fixing device provided should fit most wall types, but please note that different wall materials may require different fixing devices from those supplied.



Phillips screwdriver required

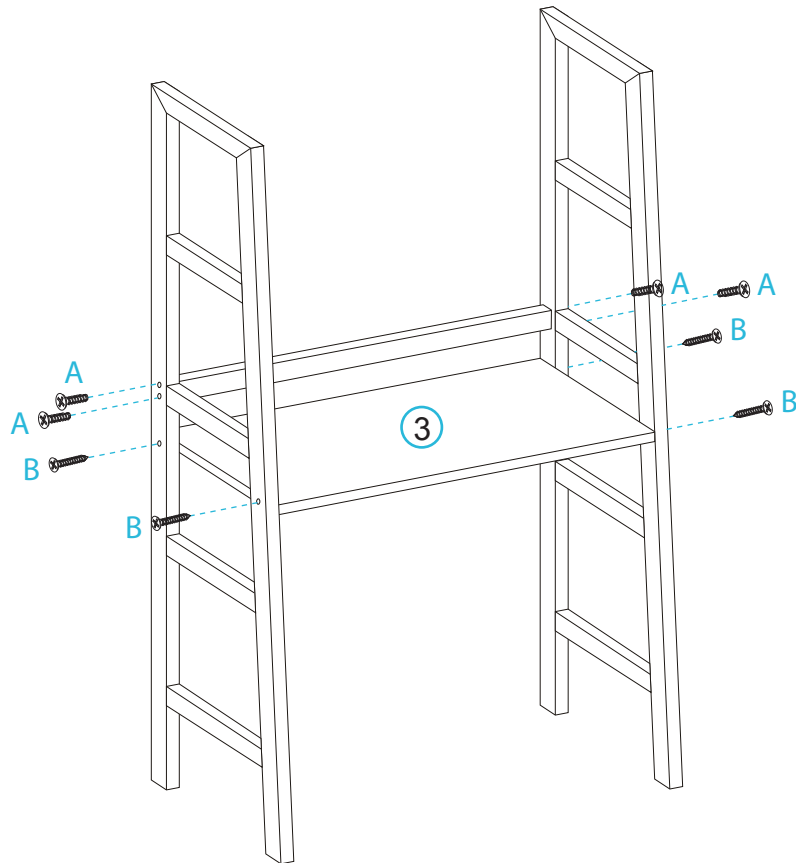


Porto Five Shelves

Assembly Instructions

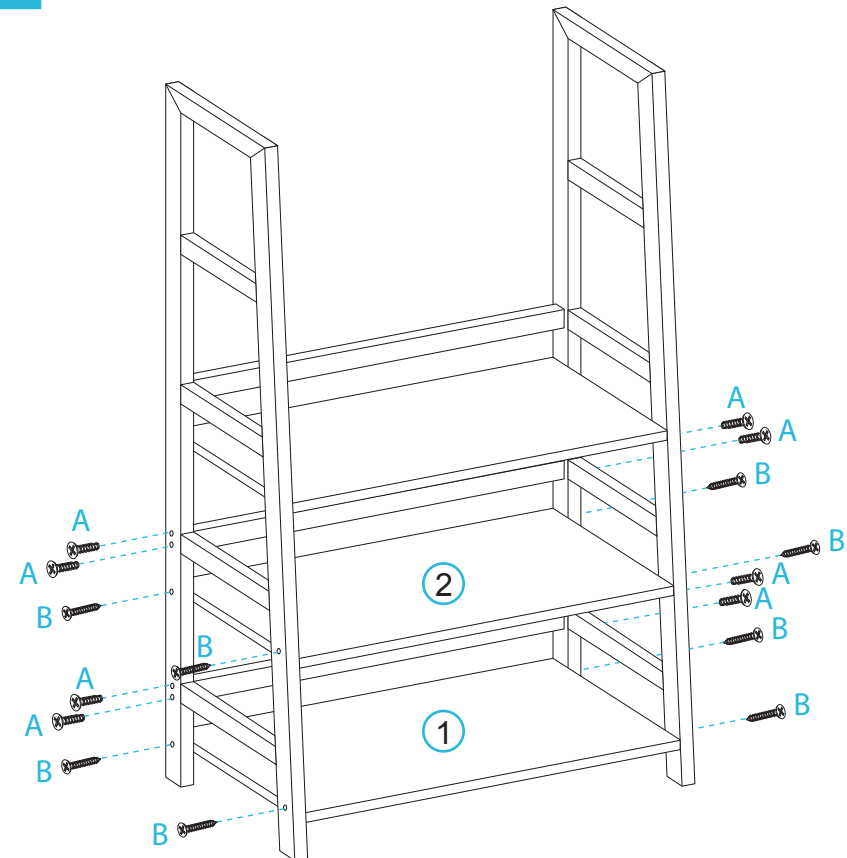
mocka

1



Attach panel [3] to the side panels with 4x 30mm screws (A) and 4x 50mm screws (B). Tighten with a screwdriver.

2



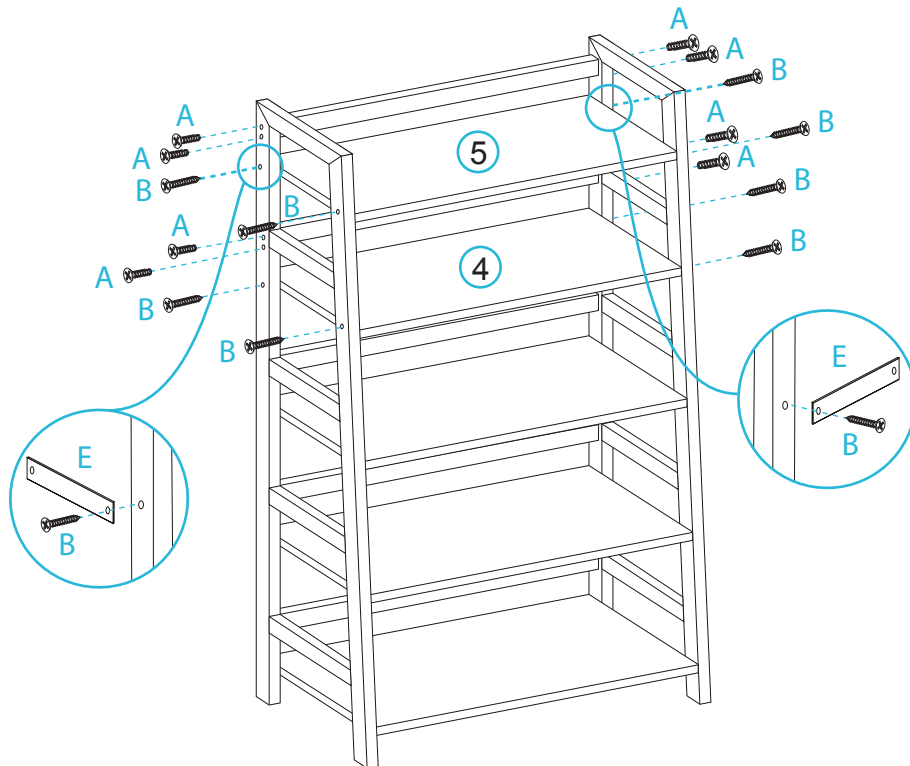
Attach panels [1] and [2] with 8x 30mm screws (A) and 8x 50mm screws (B) as shown. Tighten with a screwdriver.

Porto Five Shelves

Assembly Instructions

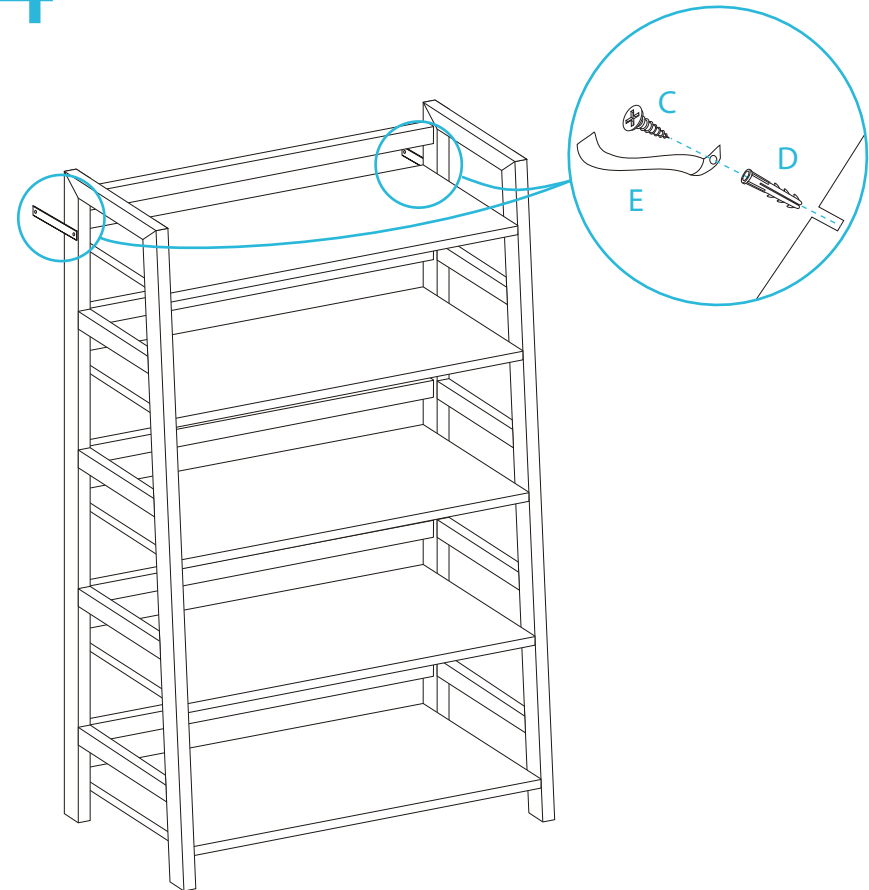
mocka

3



Attach panels [4] and [5] and secure with 8x 30mm screws (A). Secure with 8x 50mm screws (B) also, while attaching the 2x safety straps (E) as shown. Tighten with a screwdriver. Once assembled lift furniture into place, do not drag.

4



Move the unit to the desired location against a wall. Attach the other end of the 2x safety straps (E) to the wall using 2x wall plugs (D) and 2x 25mm screws (C). Tighten with a screwdriver. You're done, enjoy!