

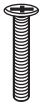
Porto Entertainment Unit

Assembly Instructions

mocka

Thank you for your purchase.
Please follow the instructions below for correct assembly.

A



50mm
screw x22

B



30mm
screw x24

Hardware Supplied

D



Wall
anchor x2

E



wall
strap x2

C1



25mm
screw x2

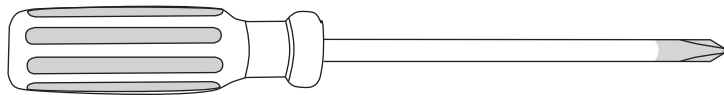
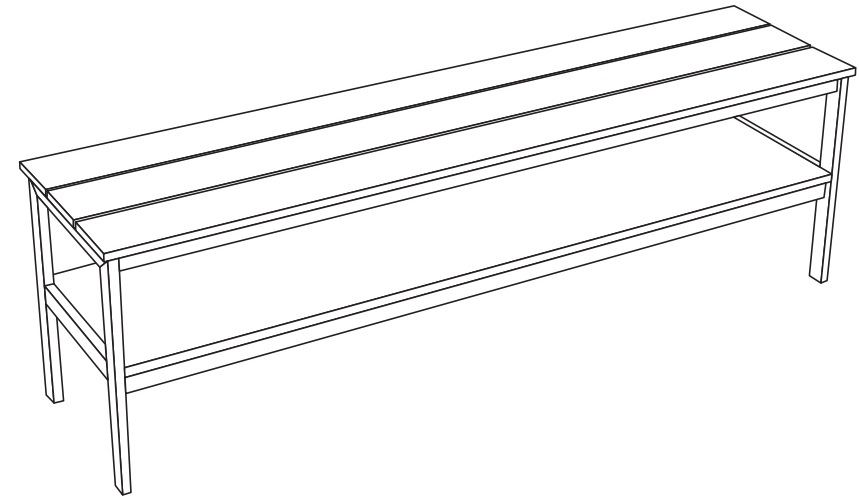
C2



14mm
screw x2

Wall Strap

WARNING: Any furniture that is not anchored to a wall has the potential to tip over in certain circumstances, i.e. if a child attempts to climb up on the furniture or in the event of an earthquake. Accordingly, we recommend that all furniture is anchored to a wall. We supply a free safety wall anchor with all furniture sold and we recommend these are used to prevent your product tipping. The fixing device provided should fit most wall types, but please note that different wall materials may require different fixing devices from those supplied.



Phillips screwdriver required

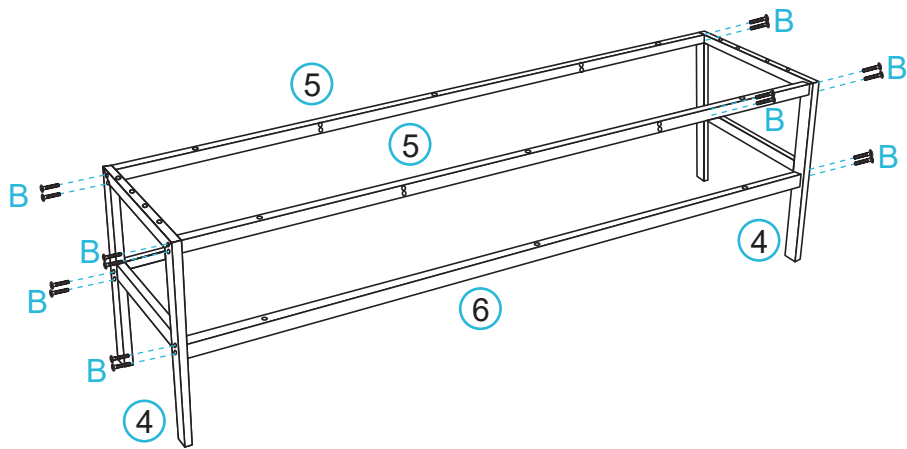
**For quicker assembly, we recommend the
use of a power drill on a low-speed setting.**

Porto Entertainment Unit

Assembly Instructions

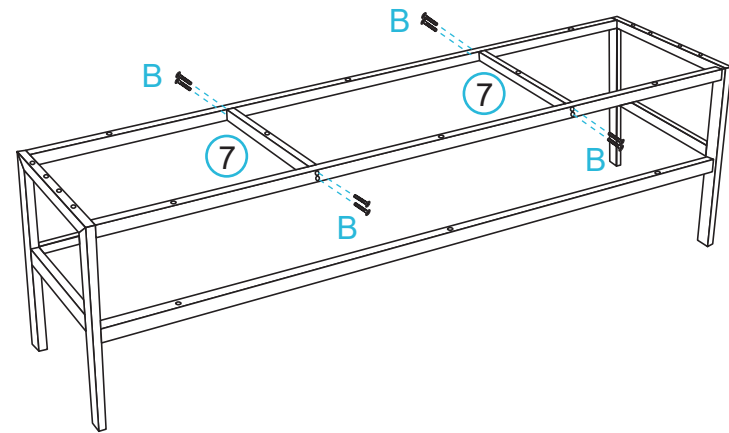
mocka

1



Attach 2 x legs [4] to 2 x base support panels [6] and 2x top support panels [5] and secure with 16 x 30mm screws (B). Tighten with a screwdriver.

2



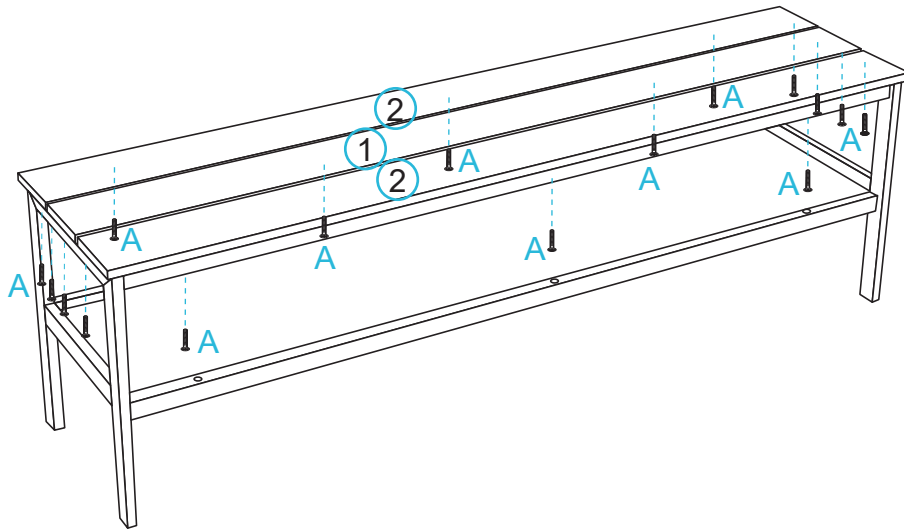
Attach 2 x cross-beams [7] to the assembled frame and secure with 8 x 30mm screws (B). Tighten with a screwdriver.

Porto Entertainment Unit

Assembly Instructions

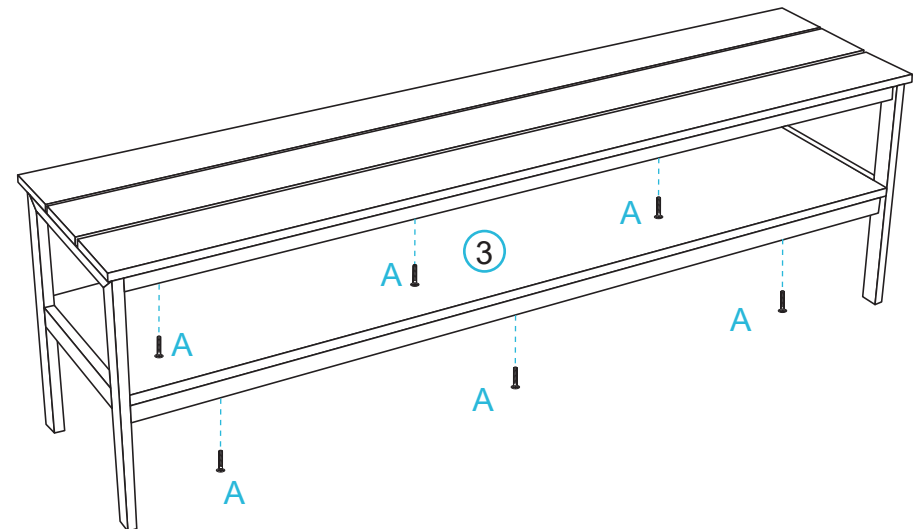
mocka

3



Attach panels [1] and [2] to assembled frame and secure with 16 x 50mm screws (A). Tighten with a screwdriver.

4



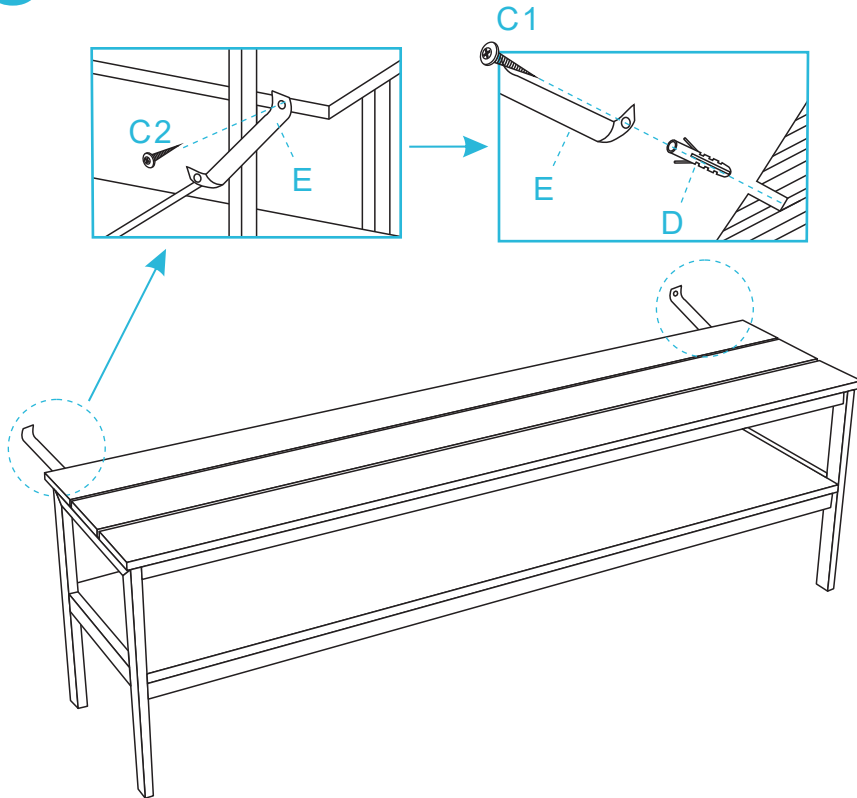
Attach panels [3] to panels [6] and secure with 6 x 50mm screws (A). Tighten with a screwdriver.

Porto Entertainment Unit

Assembly Instructions

mocka

5



Lift the furniture into the desired location, do not drag. Attach 2 x wall straps (E) to the back sides of panel [2] and secure with 2 x 25mm screws (C2). Fasten to wall using 2 x wall anchors (D) and 2 x 14mm screws (C1). Tighten with a screwdriver. Ensure unit is balanced and steady before use. You're done, enjoy!