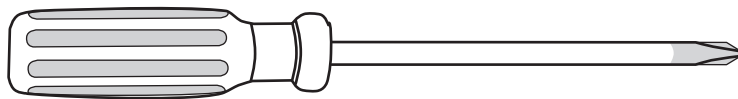
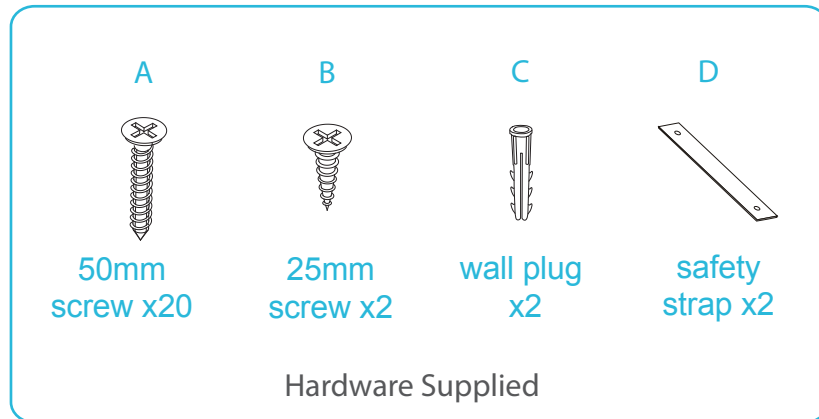


Porto Corner Shelves

Assembly Instructions

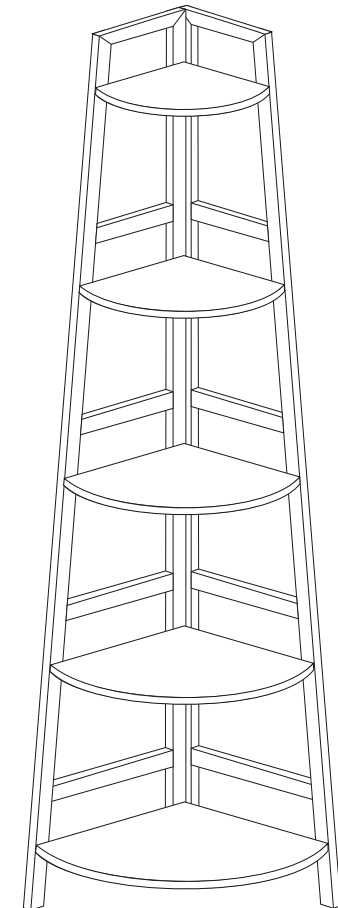
Thank you for your purchase.
Please follow the instructions below for correct assembly.

mocka



Phillips screwdriver required

WARNING: Any furniture that is not anchored to a wall has the potential to tip over in certain circumstances, i.e. if a child attempts to climb up on the furniture or in the event of an earthquake. Accordingly, we recommend that all furniture is anchored to a wall. We supply a free safety wall anchor with all furniture sold and we recommend these are used to prevent your product tipping. The fixing device provided should fit most wall types, but please note that different wall materials may require different fixing devices from those supplied.

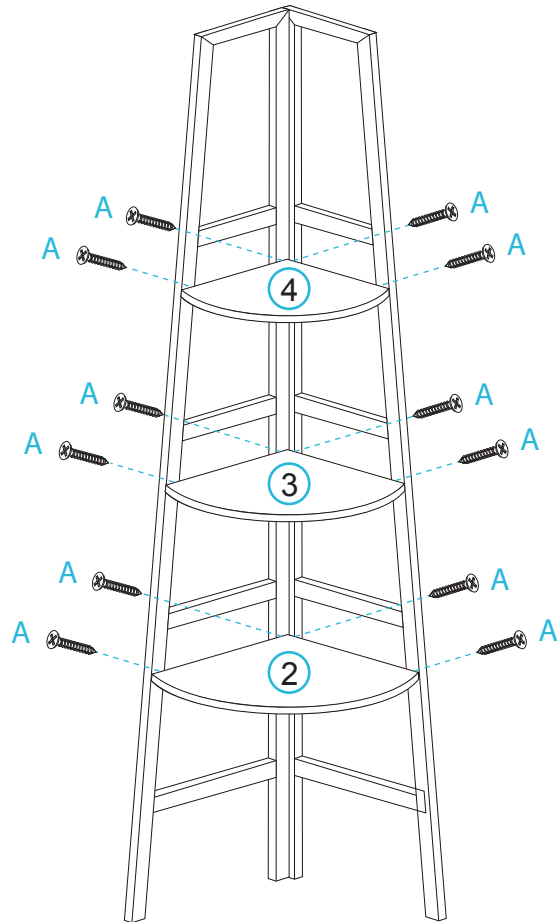


Porto Corner Shelves

Assembly Instructions

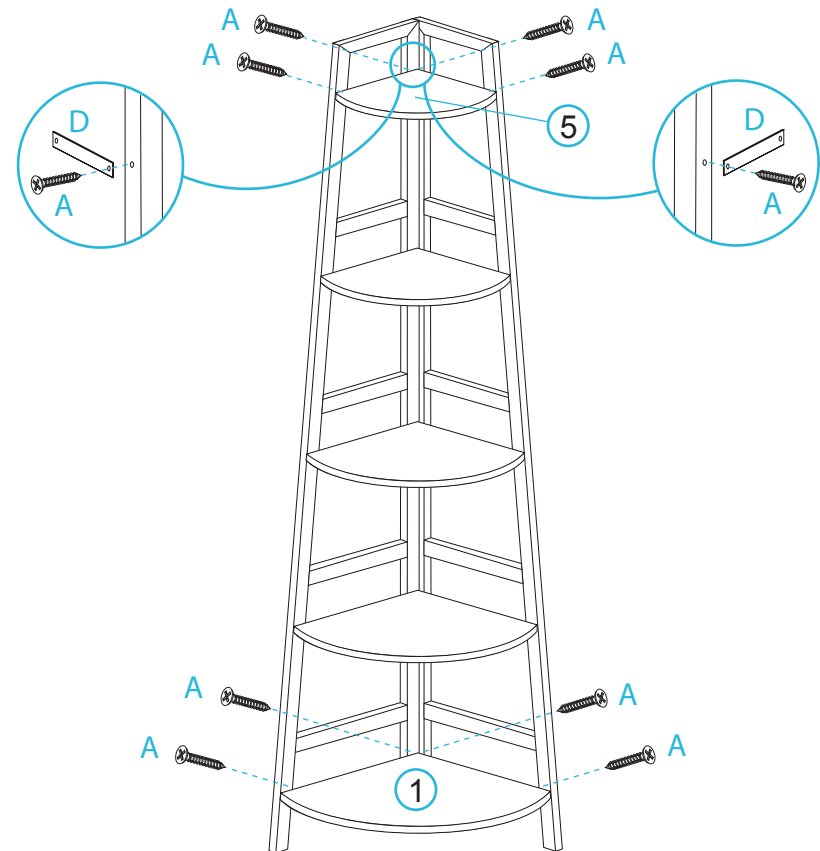
mocka

1



Attach shelf panels [2], [3] and [4] to the main unit as shown and secure with 12x 50mm screws (A). Tighten with a screwdriver.

2



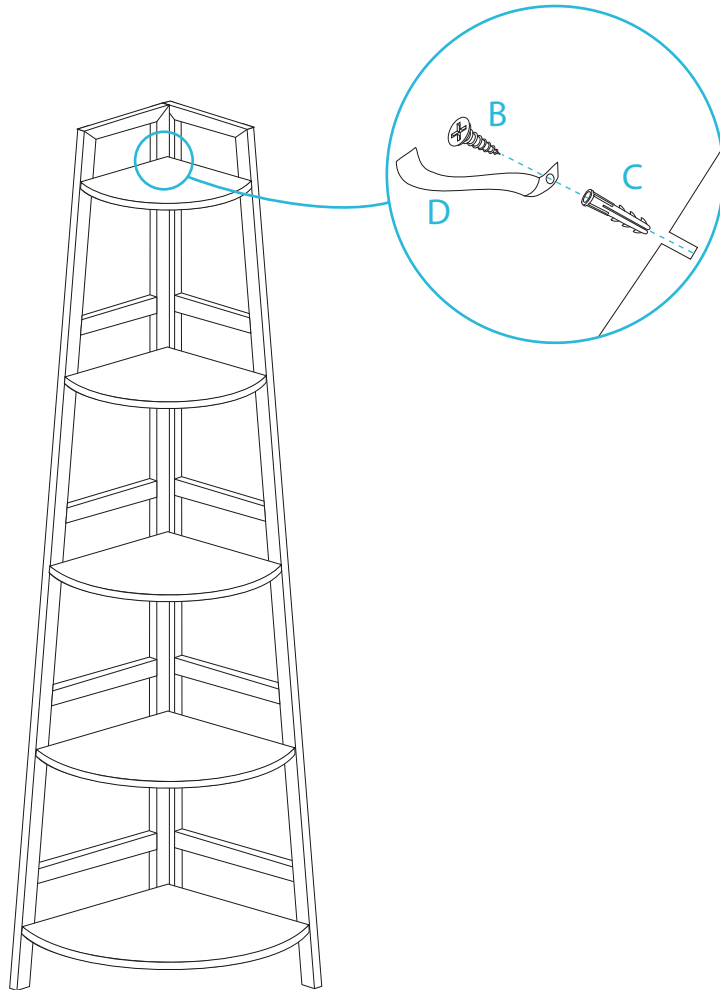
Attach shelf panel [1] into the unit and secure with 4x 50mm screws (A). Attach top shelf panel [5] with 2x safety straps on the innermost sides as shown. Secure with 4x 50mm screws (A) and tighten with a screwdriver. Once assembled lift furniture into place, do not drag.

Porto Corner Shelves

Assembly Instructions

mocka

3



Attach the other end of the safety straps (D) to the wall using 2x wall plugs (C) and 2x 25mm screws (B). Tighten with a screwdriver. You're done, enjoy!