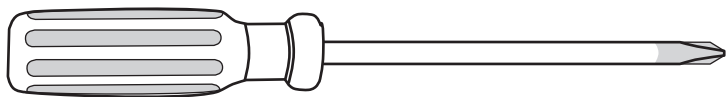
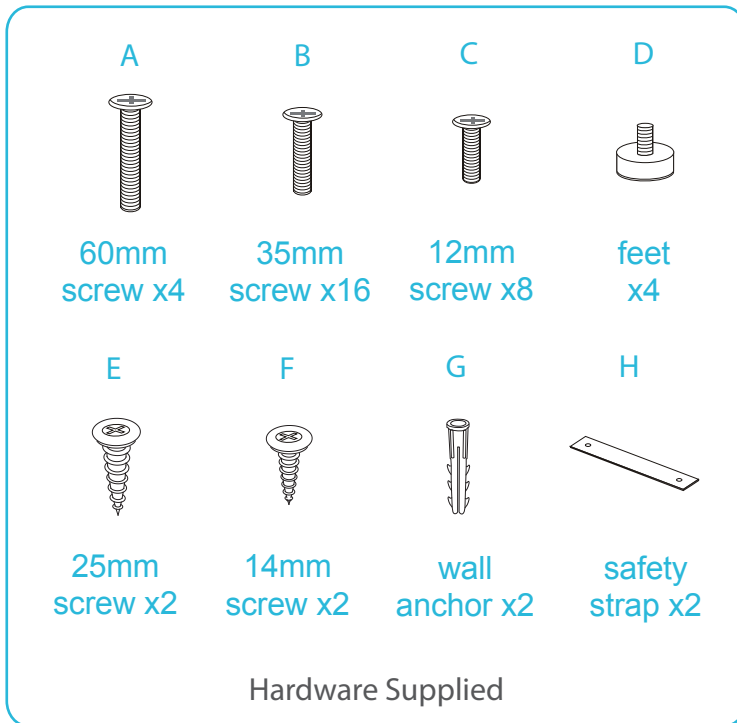


Porto Console

Assembly Instructions

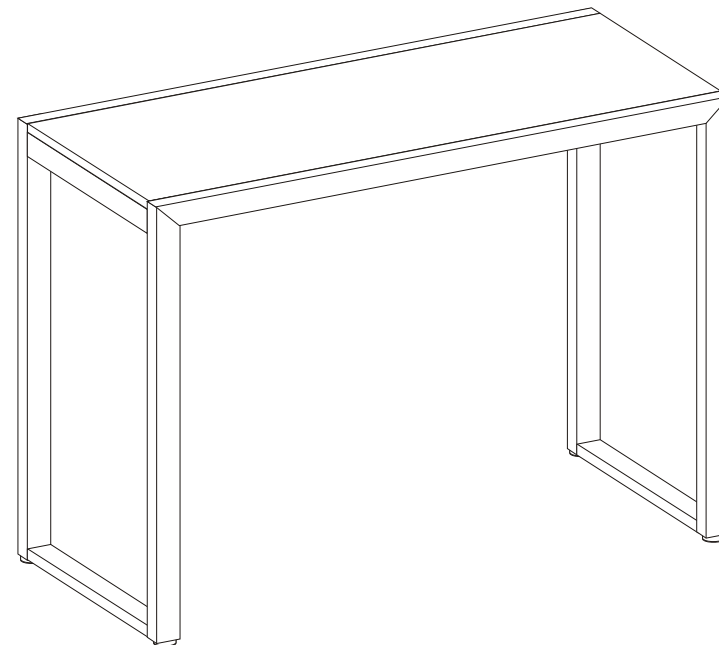
Thank you for your purchase.
Please follow the instructions below for correct assembly.

mocka



Phillips screwdriver required

WARNING: Any furniture that is not anchored to a wall has the potential to tip over in certain circumstances, i.e. if a child attempts to climb up on the furniture or in the event of an earthquake. Accordingly, we recommend that all furniture is anchored to a wall. We supply a free safety wall anchor with all furniture sold and we recommend these are used to prevent your product tipping. The fixing device provided should fit most wall types, but please note that different wall materials may require different fixing devices from those supplied.

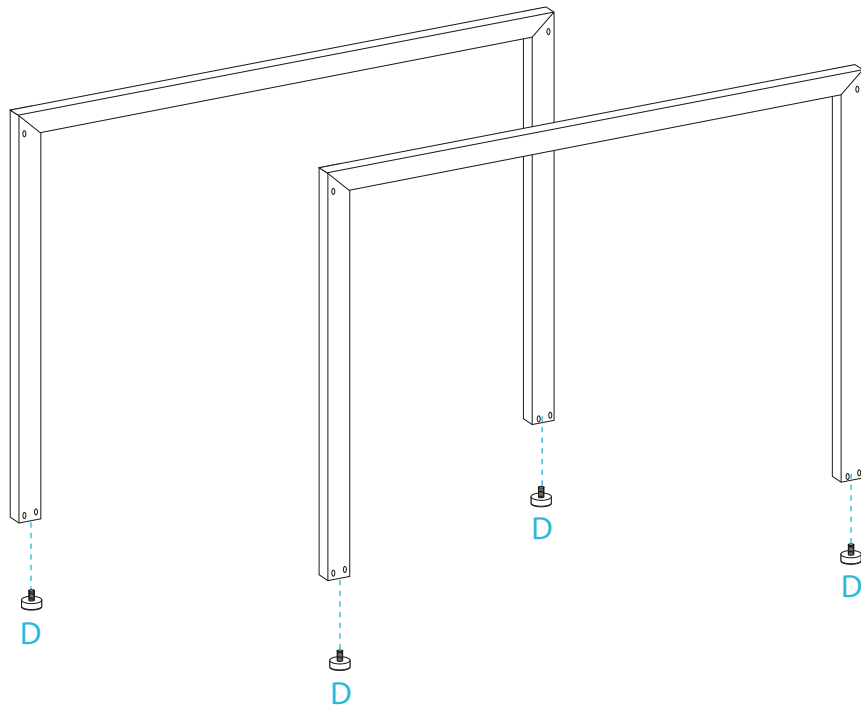


Porto Console

Assembly Instructions

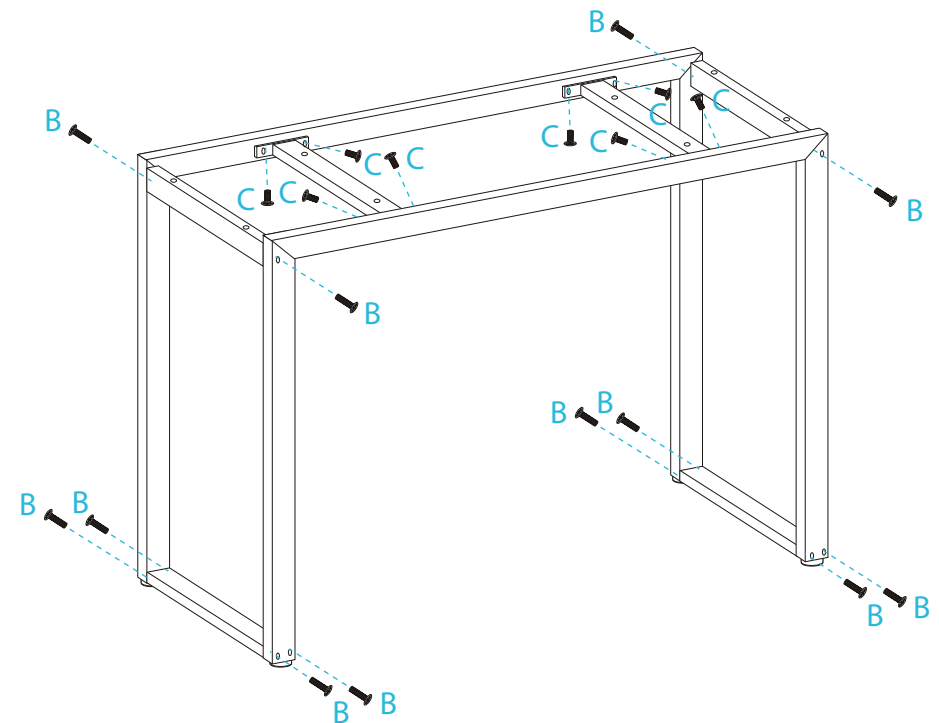
mocka

1



Attach 4x feet (D) to the bottoms of the main panels.

2



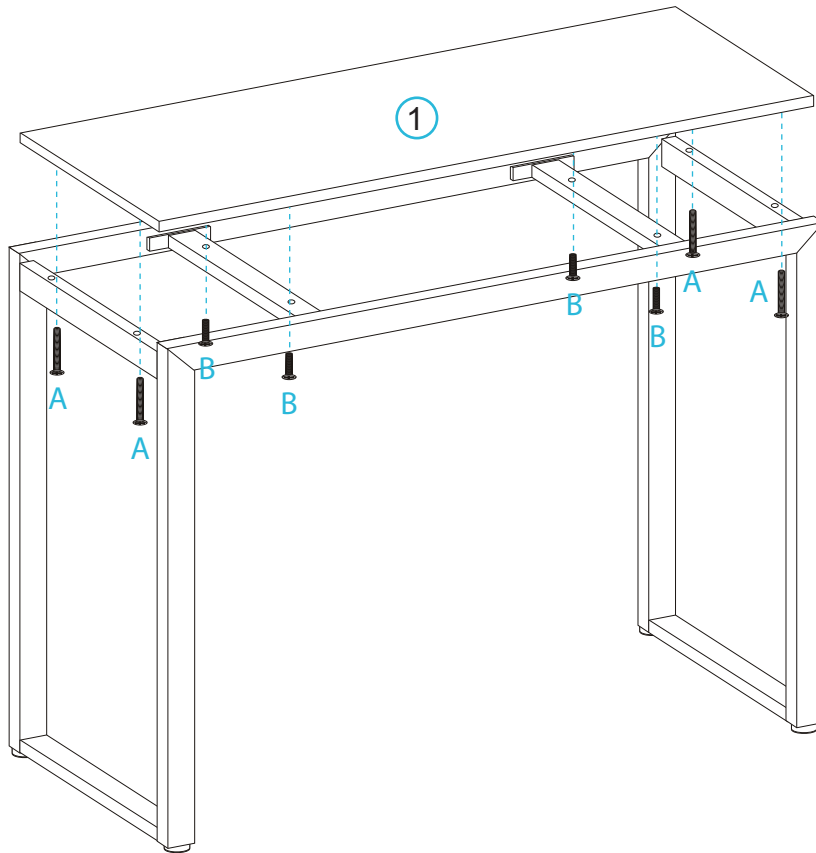
Attach the connecting panels to the main panels using 12x 35mm screws (B) and 8x 12mm screws (C) as shown. Tighten with a screwdriver.

Porto Console

Assembly Instructions

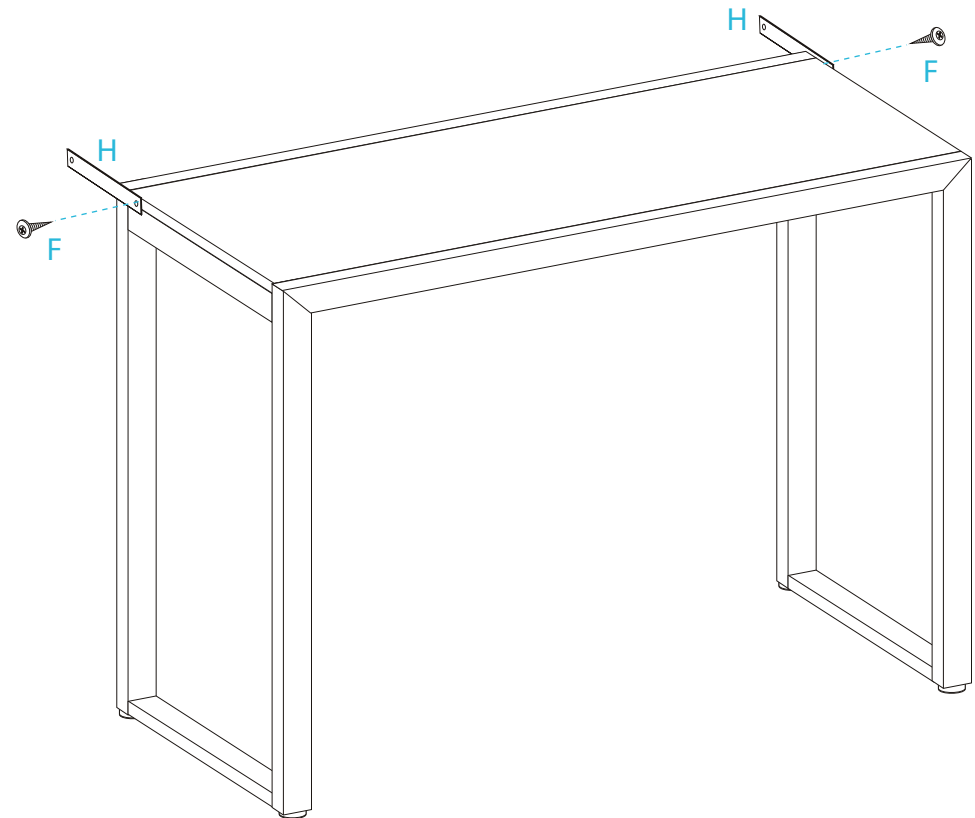
mocka

3



Attach panel [1] to the frame from underneath using 4x 60mm screws (A) and 4x 35mm screws (B) as shown. Tighten with a screwdriver.

4

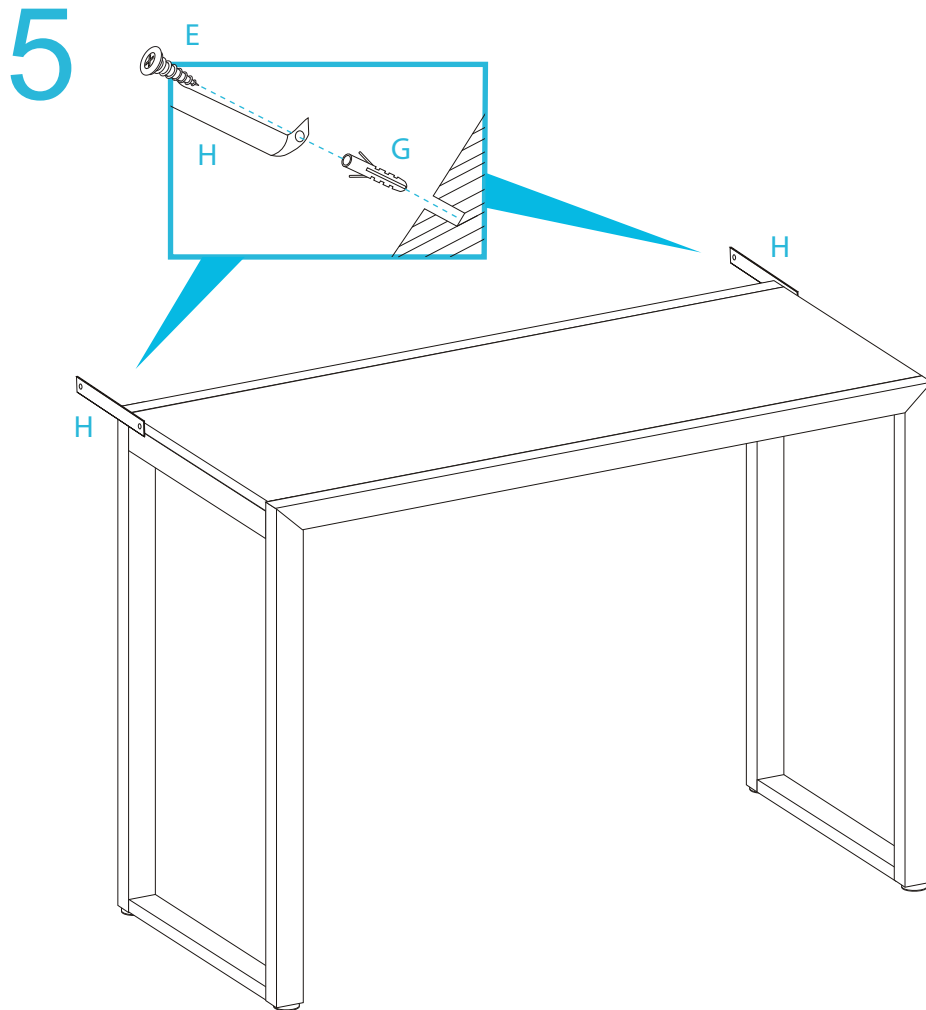


Attach 2x safety straps (H) to the rear sides of the table and secure with 2x 14mm screws (F). Tighten with a screwdriver.

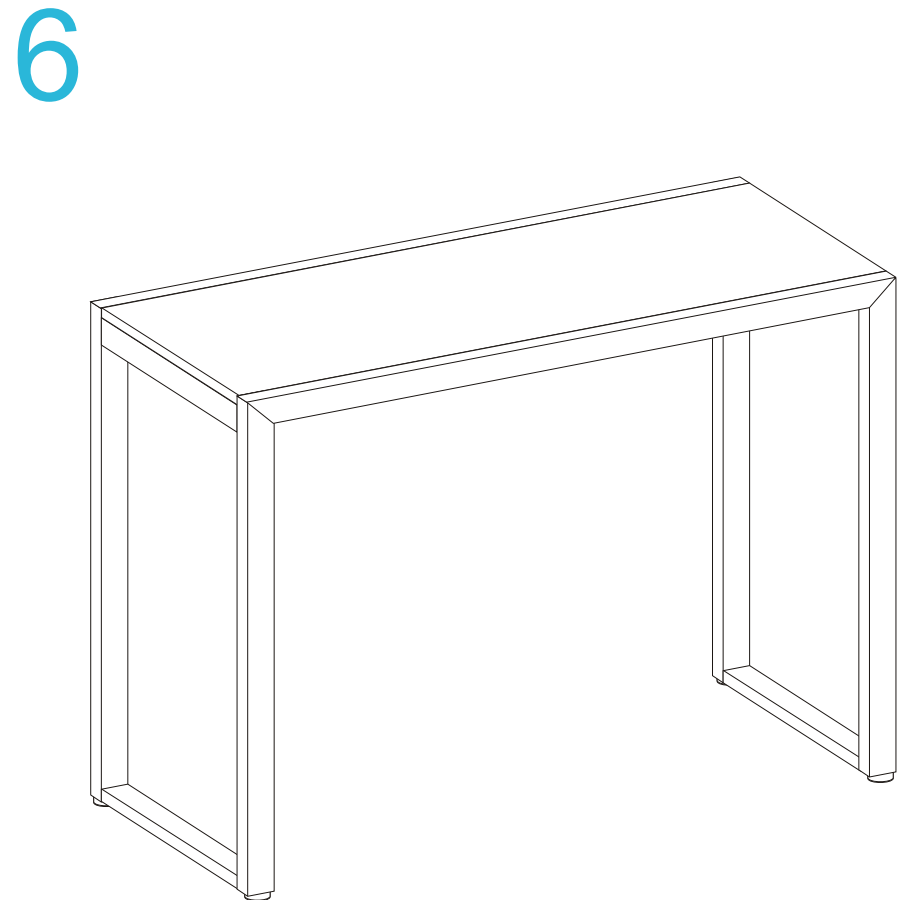
Porto Console

Assembly Instructions

mocka



Lift the completed unit into place, do not drag. Screw the other end of the straps to the wall using 2x wall anchors (G) and 2x 25mm screws (E). Tighten with a screwdriver.



Adjust the feet if required to ensure the unit is balanced and steady. You're done, enjoy!