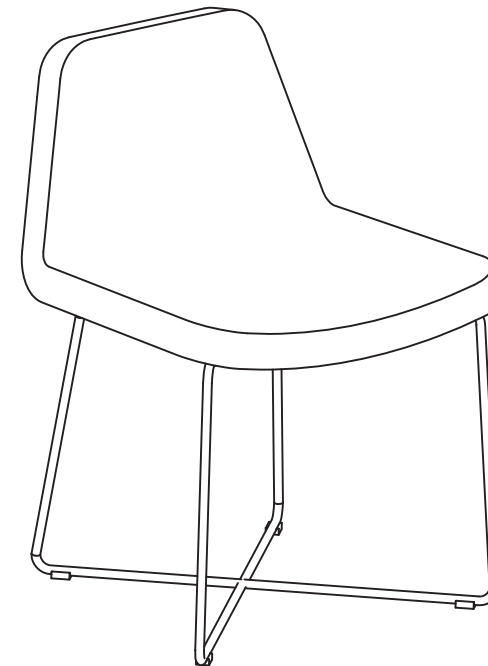
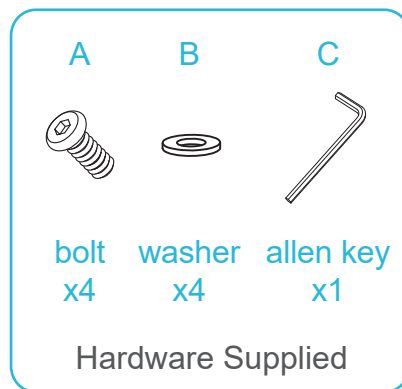


Porter Chair

Assembly Instructions

Thank you for your purchase.
Please follow the instructions below for correct assembly.

mocka

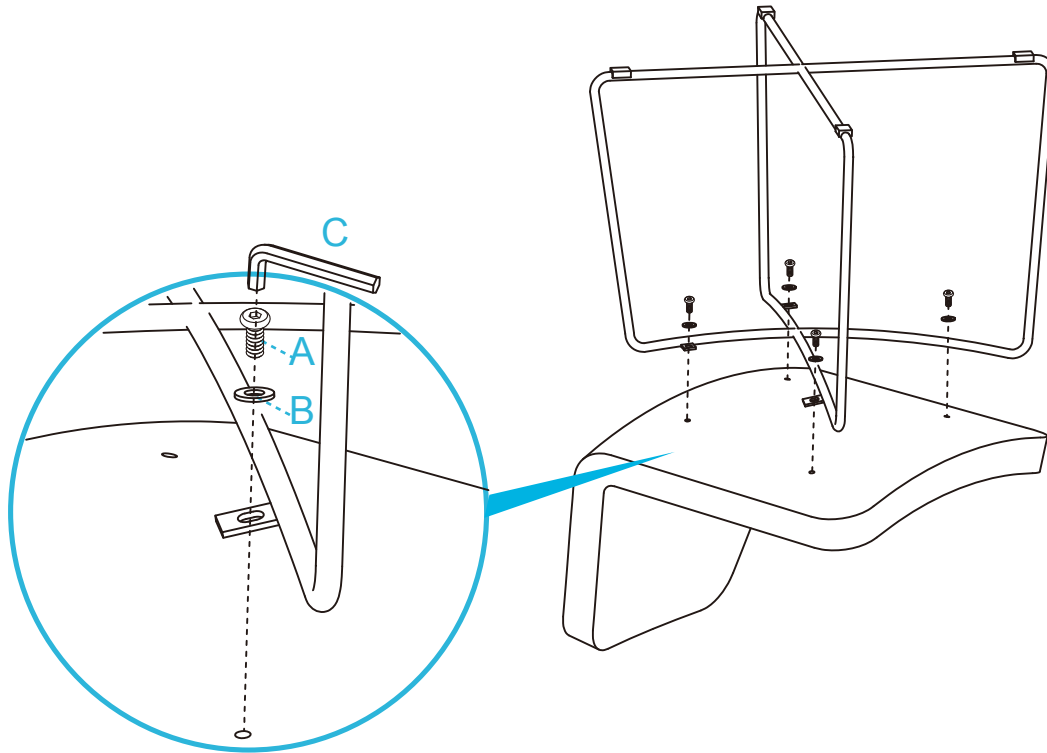


Porter Chair

Assembly Instructions

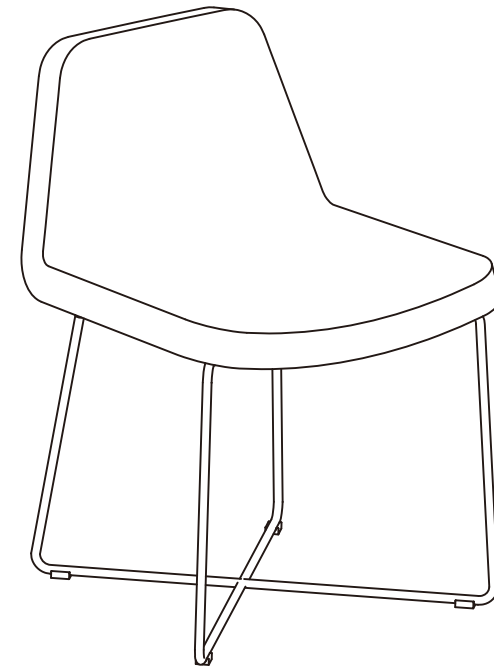
mocka

1



Attach base to seat as shown and secure with 4 x bolts (A) and 4 x washers (B). Tighten with an Allen Key (C).

2



You're done, enjoy!