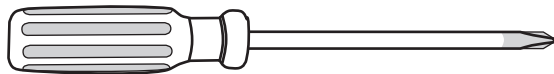
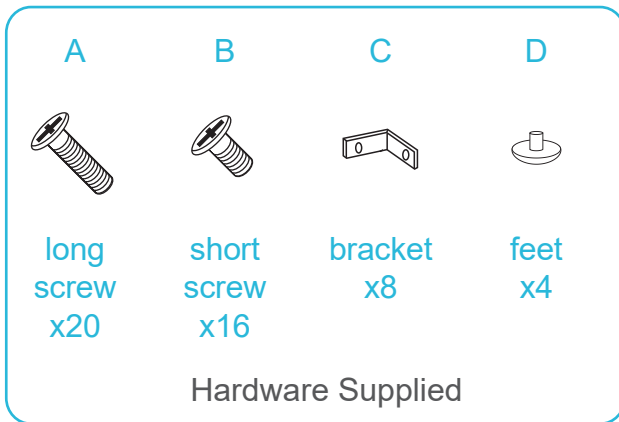


# Phoebe Coffee Table

## Assembly Instructions

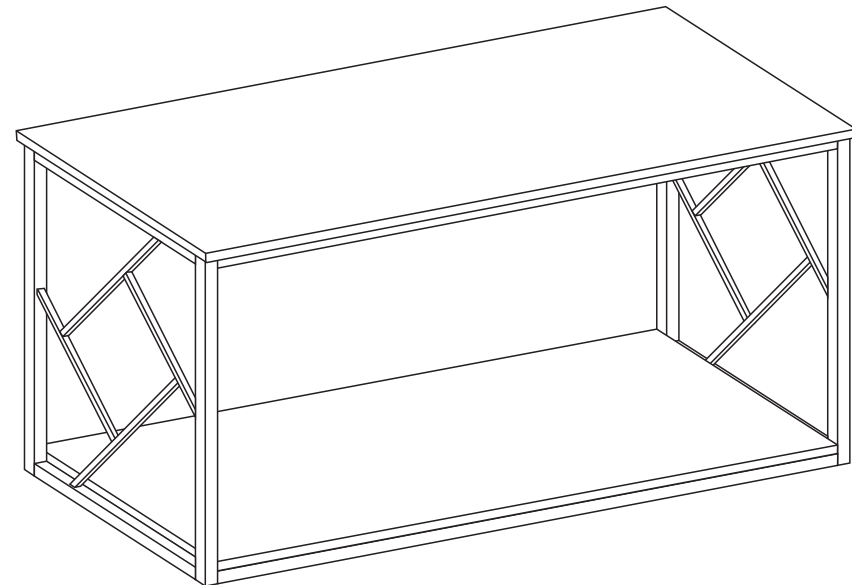
Thank you for your purchase.  
Please follow the instructions below for correct assembly.

# mocka



Phillips & Flathead screwdrivers required.

**For quicker assembly, we recommend the use of a power drill on a low-speed setting.**

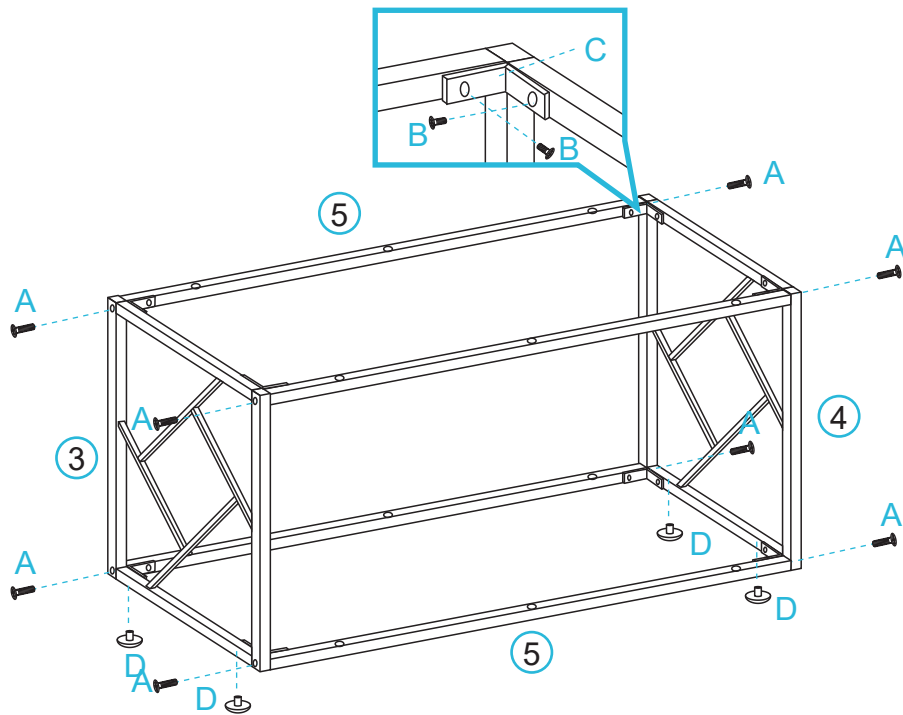


# Phoebe Coffee Table

## Assembly Instructions

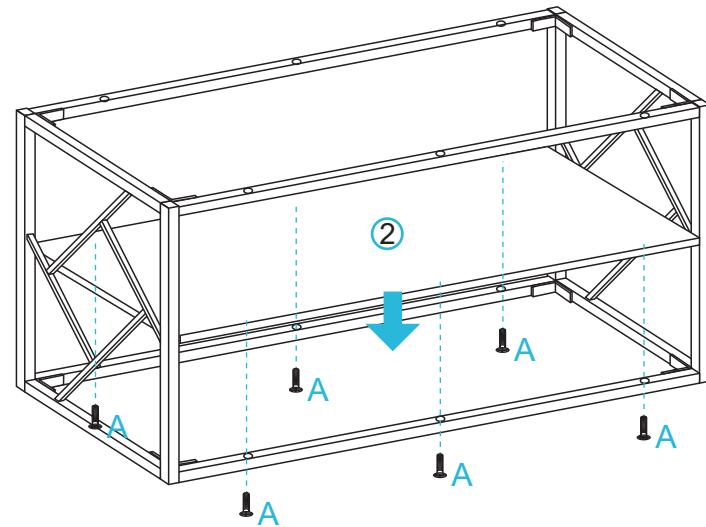
mocka

1



Attach panels [3]&[4] to panels [5] and secure with 8 x long screws (A), 8 x short screws (B), 4 x brackets (C) and 4 x feet (D). Tighten with a screwdriver.

2



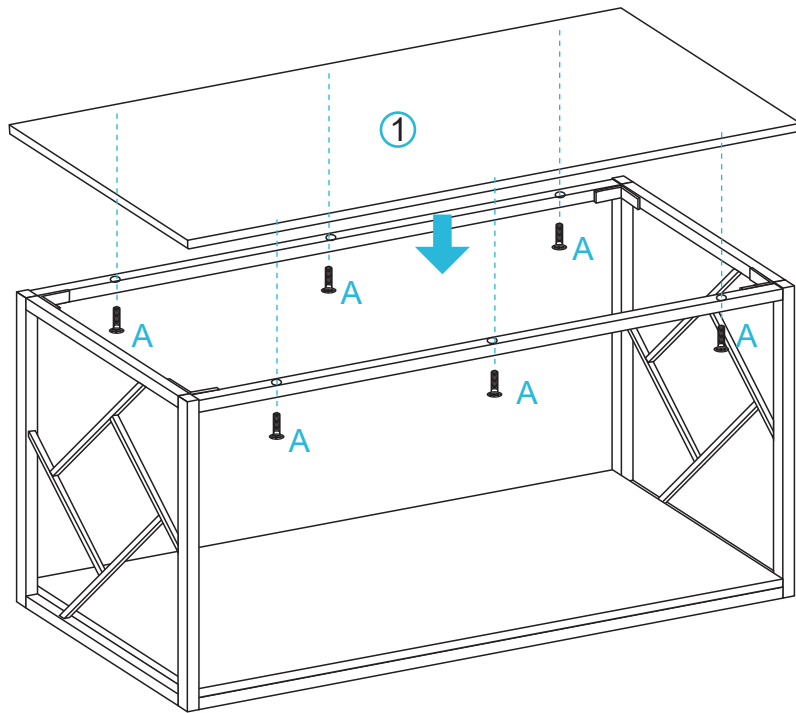
Attach panel [2] to assembled frame as shown and secure with 6 x long screws (A). Tighten with a screwdriver.

# Phoebe Coffee Table

## Assembly Instructions

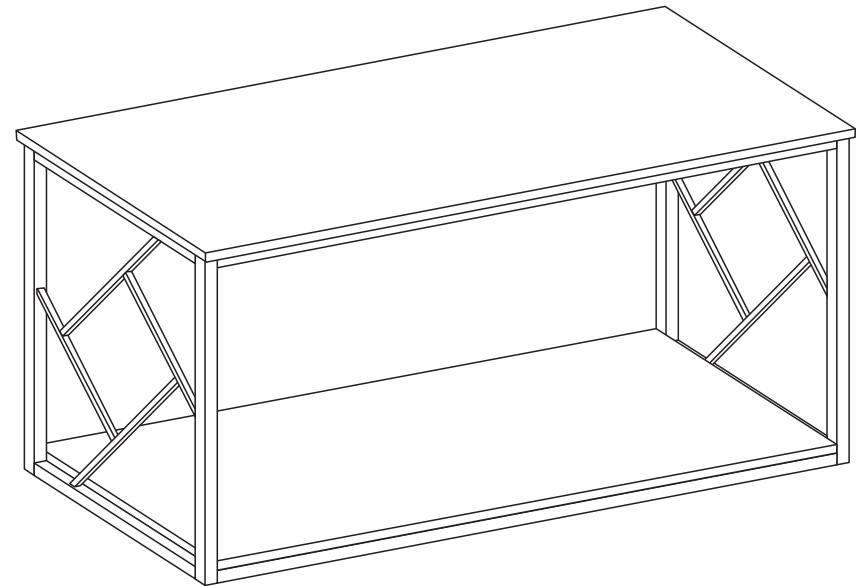
mocka

3



Attach panel [1] to assembled frame as shown and secure with 6 x long screws (A). Tighten with a screwdriver.

4



Lift the furniture into the desired location, do not drag. You're done, enjoy!