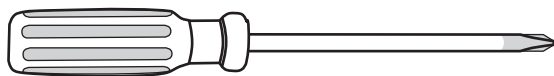
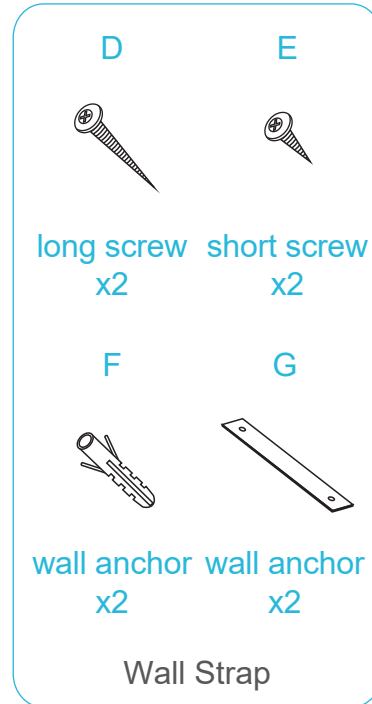
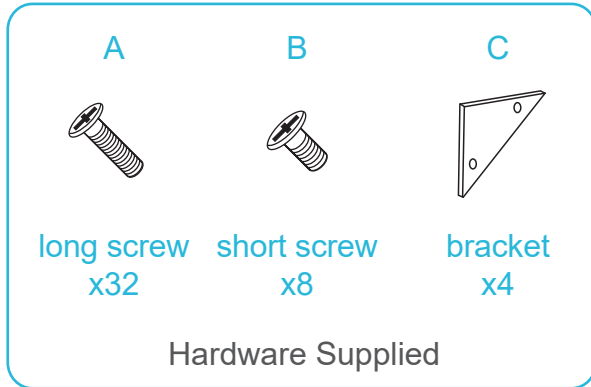


# Phoebe Bookshelf Large

## Assembly Instructions

Thank you for your purchase.  
Please follow the instructions below for correct assembly.

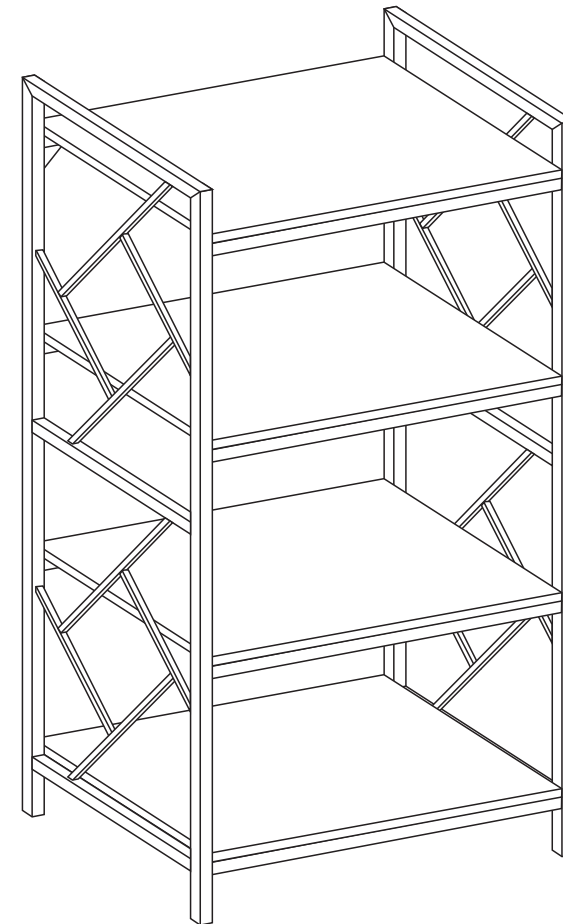


Phillips & Flathead screwdrivers required.

For quicker assembly, we recommend the use of a power drill on a low-speed setting.

# mocka

**WARNING:** Any furniture that is not anchored to a wall has the potential to tip over in certain circumstances, i.e. if a child attempts to climb up on the furniture or in the event of an earthquake. Accordingly, we recommend that all furniture is anchored to a wall. We supply a free safety wall anchor with all furniture sold and we recommend these are used to prevent your product tipping. The fixing device provided should fit most wall types, but please note that different wall materials may require different fixing devices from those supplied.

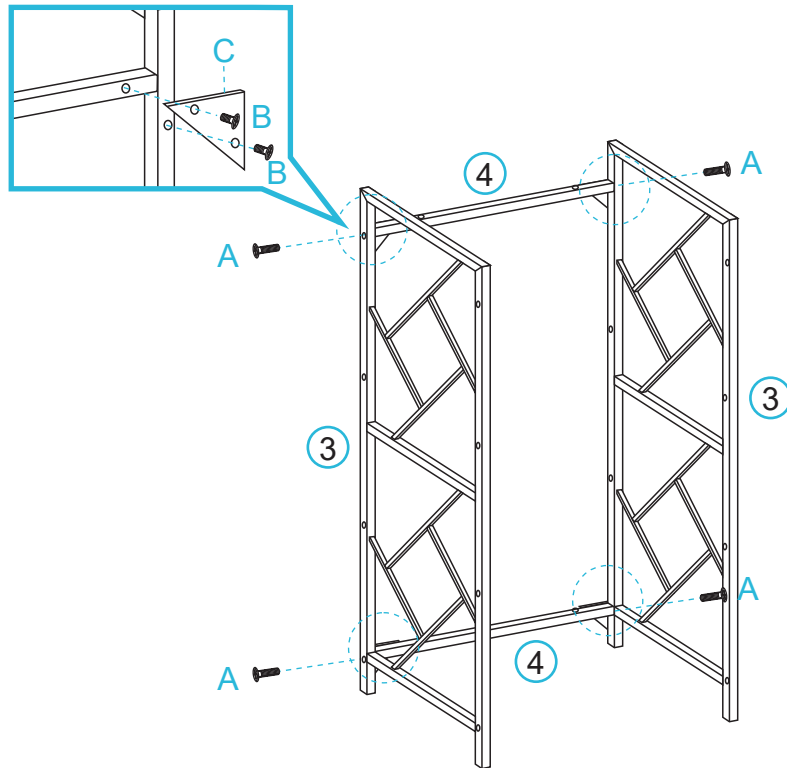


# Phoebe Bookshelf Large

## Assembly Instructions

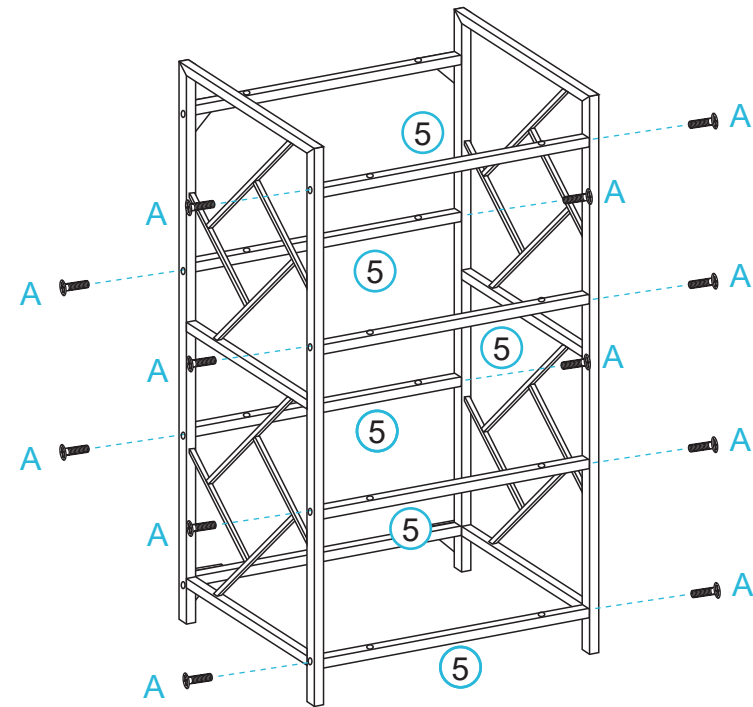
mocka

1



Attach panels [3] to panels [4] and secure with 4 x long screws (A), 8 x short screws (B) and 4 x brackets (C). Tighten with a screwdriver.

2



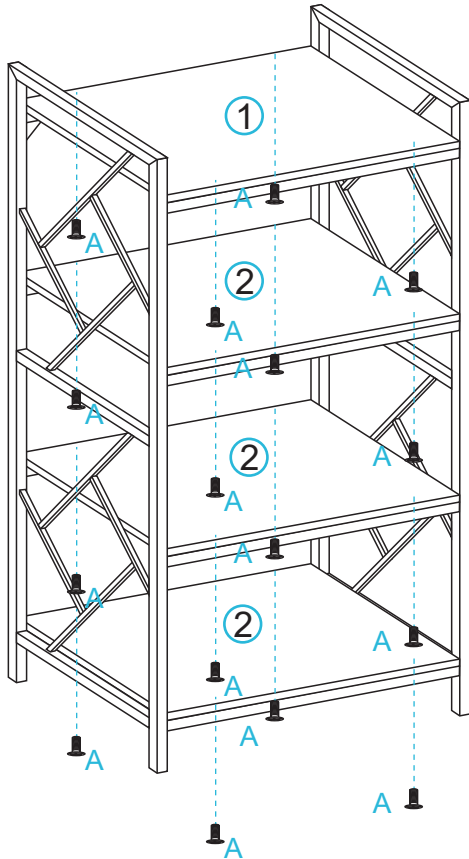
Attach panels [5] to assembled frame as shown and secure with 12 x long screws (A). Tighten with a screwdriver.

# Phoebe Bookshelf Large

## Assembly Instructions

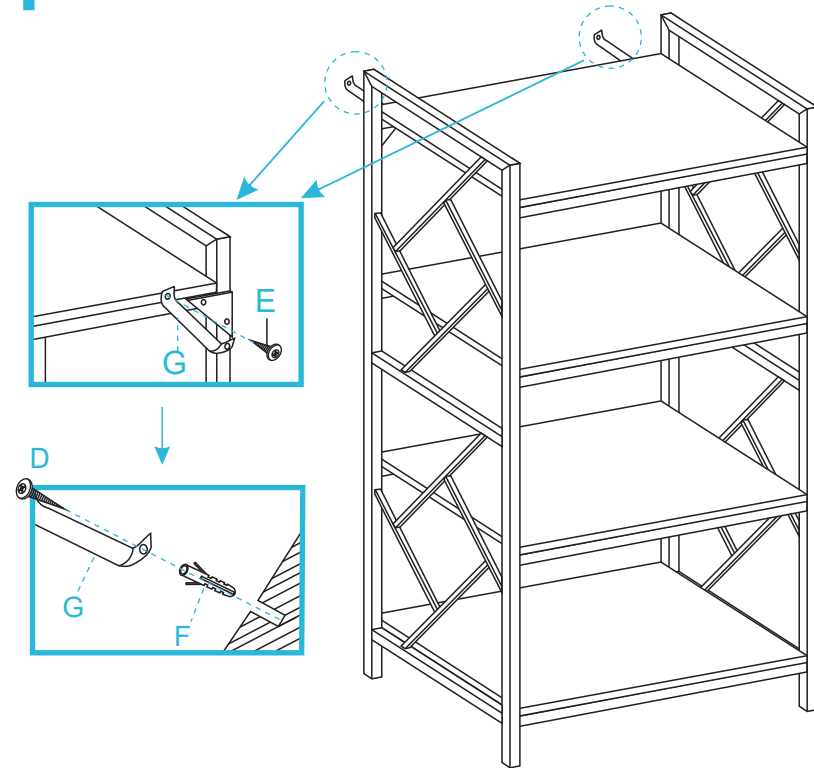
mocka

3



Attach panel [1] and panels [2] to assembled frame as shown and secure with 16 x long screws (A). Tighten with a screwdriver.

4



Lift the furniture into the desired location, do not drag. Attach 2 x wall straps (G) to the back sides of panel [1] and secure with 2 x short screws (E). Fasten to wall using 2 x wall anchors (F) and 2 x long screws (D). Tighten with a screwdriver. Ensure unit is balanced and steady before use. You're done, enjoy!