





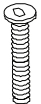
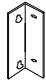
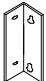

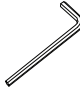


Peyton Bed - Single & King Single

Thank you for purchasing Peyton Bed - Single & King Single. Please follow the manufacturer's assembly instructions in detail.

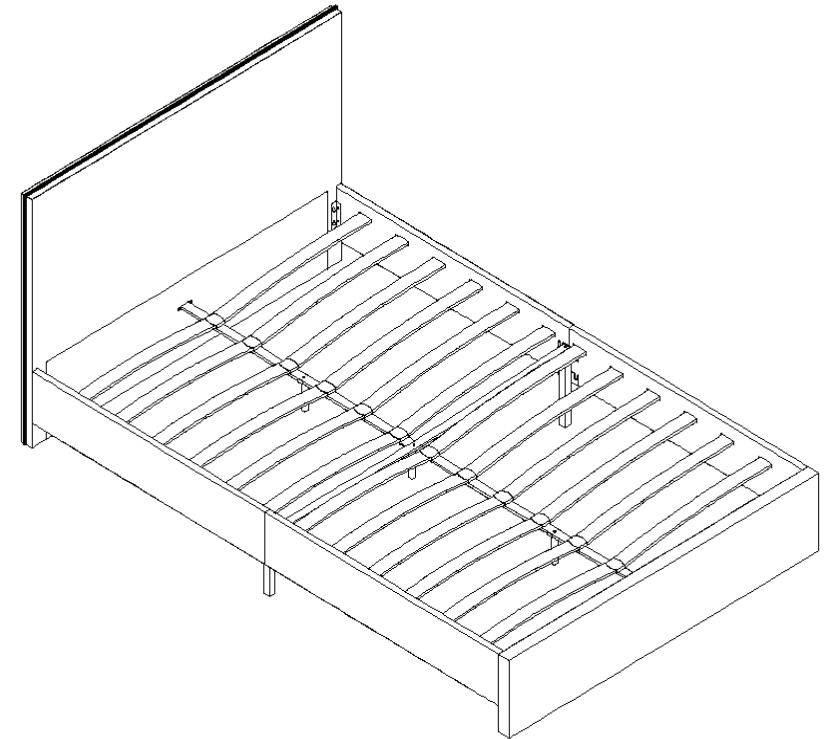
A	B	C	D	E
				
double cap x12	25mm bolt x8	spring washer x8	washer x8	25mm bolt x4
F	H	L	R	
				
20mm bolt Ø0	35mm bolt x1	left plate x2	right plate x2	
T2	T3			
				
small allen key x1	large allen key x1			

Hardware Supplied



Phillips & Flathead screwdrivers required.

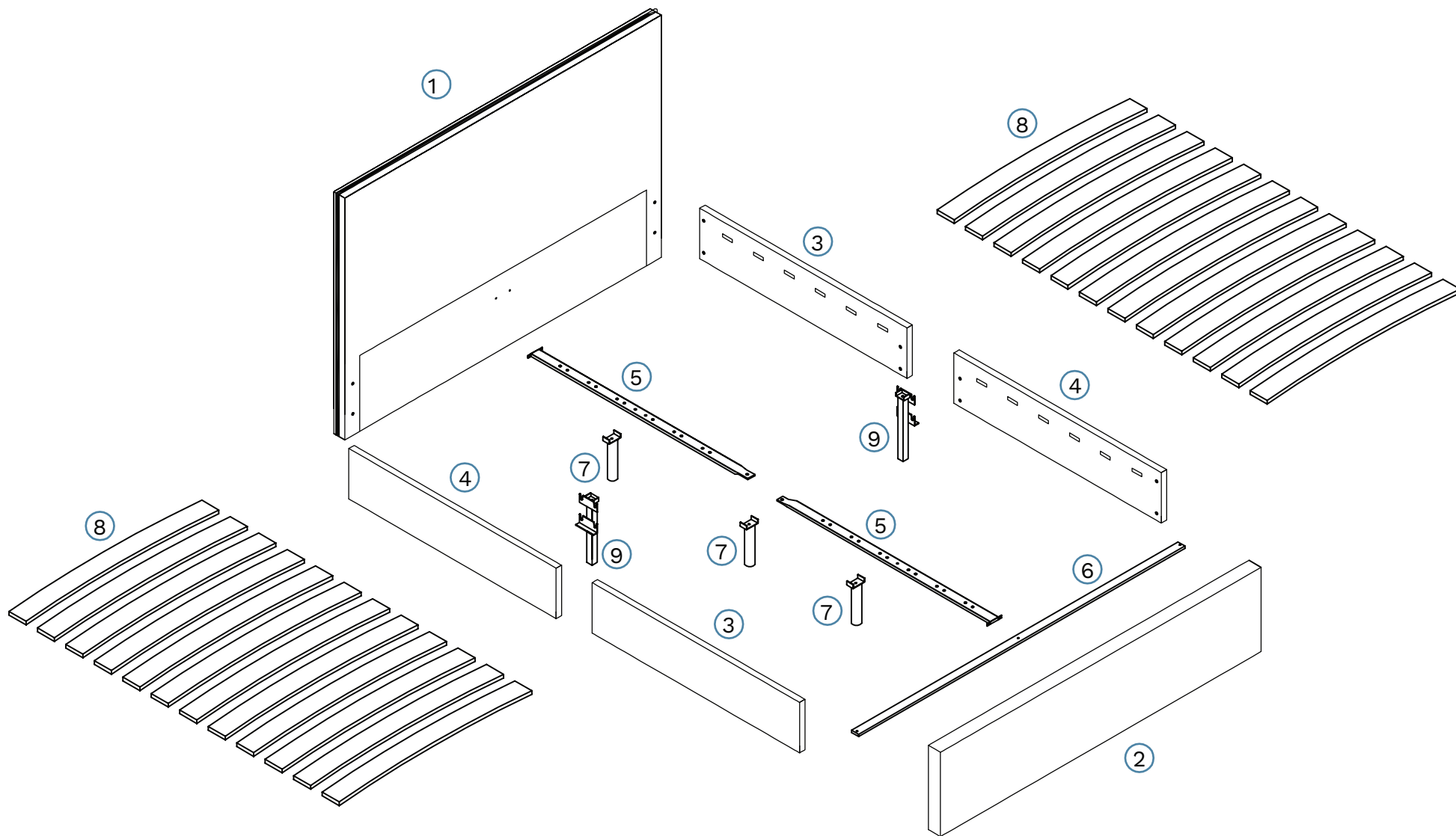
For quicker assembly, we recommend the use of a power drill on a low-speed setting.



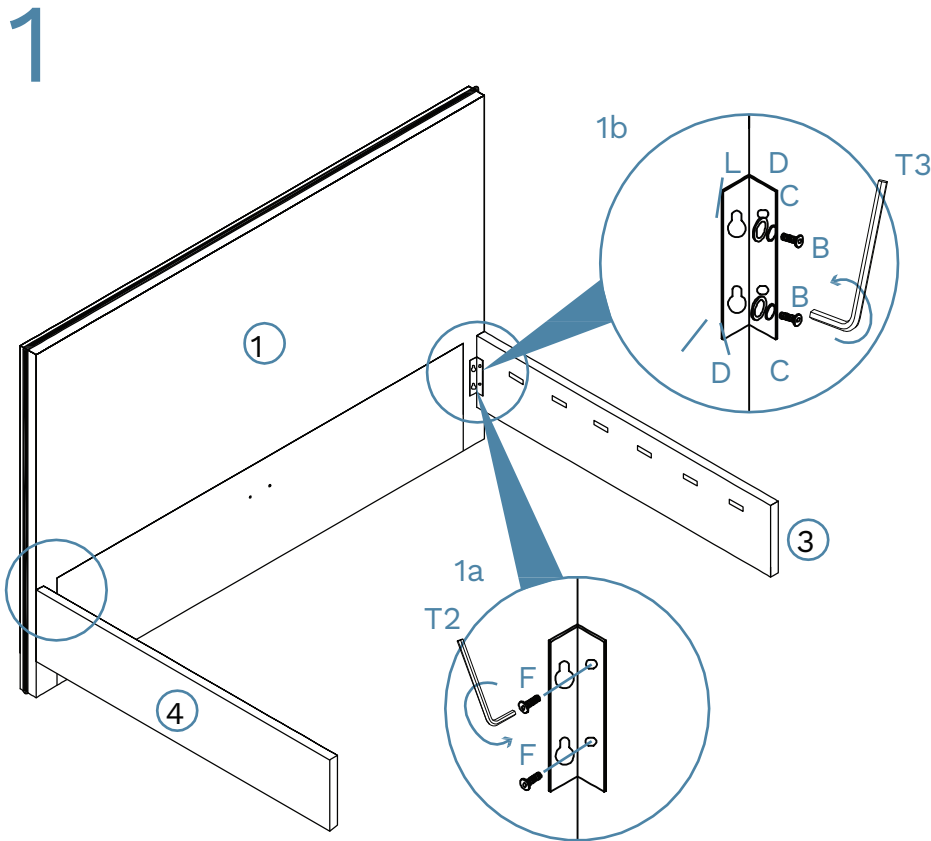
IMPORTANT NOTICE

When moving the bed, please lift off the ground with two people. **DO NOT** drag, push or pull the bed across the floor, as this can result in damage to the supporting leg.

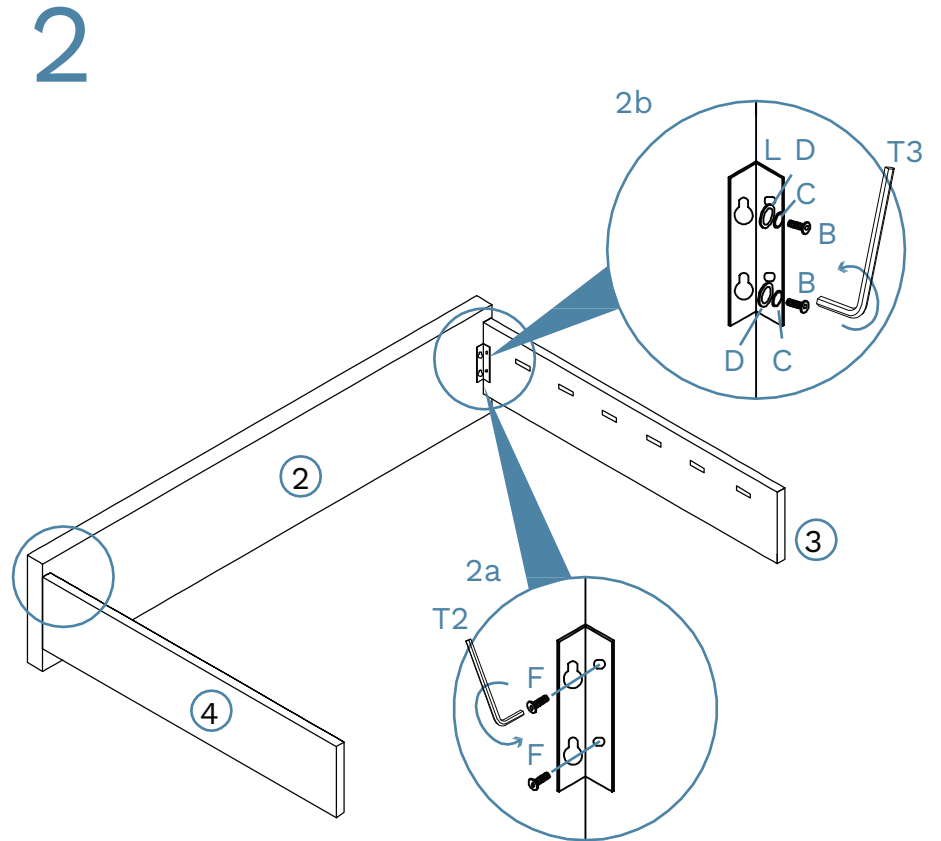
Peyton Bed - Single & King Single



Peyton Bed - Single & King Single



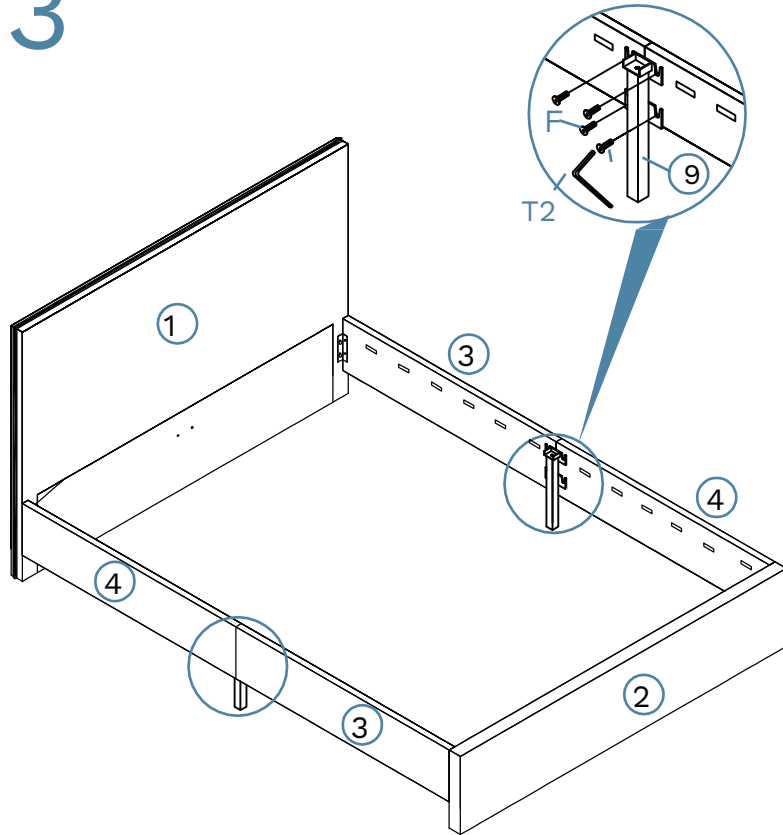
1a: Attach 1x left plate (L) to panel [3] and 1x right plate (R) to panel [4] and secure with 4x20mm bolts (F). Tighten with Allen Key (T2).
1b: Attach panel [3] and panel [4] to panel [1] as shown and secure with 4x spring washers (C), 4x washers (D) and 4x 25mm bolts (B). Tighten with Allen Key (T3).



2a: Attach 1x left plate (L) to panel [3] and 1x right plate (R) to panel [4] and secure with 4x20mm bolts (F). Tighten with Allen Key (T2).
2b: Attach panel [3] and panel [4] to panel [2] as shown and secure with 4x spring washers (C), 4x washers (D) and 4x 25mm bolts (B). Tighten with Allen Key (T3).

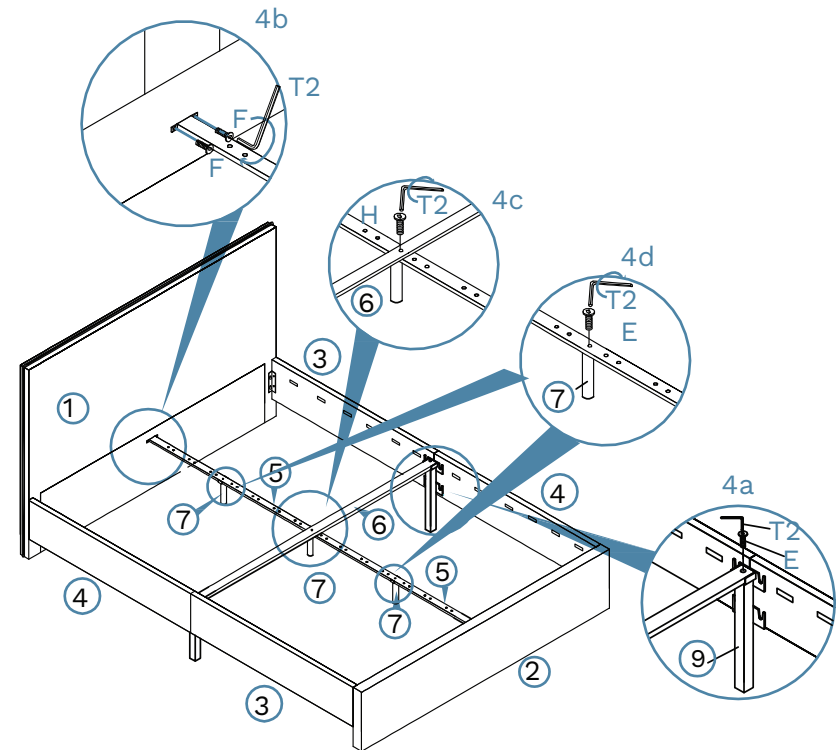
Peyton Bed - Single & King Single

3



Join the 2x side panels [3] and Join the 2x side panels [4] together with 2x connector [9] and secure with 8x 20mm bolts (F). Tighten with Allen Key (T2).

4



4a: Insert panel [6] and sit on top of the connector [9] and secure with 2x 25mm bolts (E). Tighten with Allen Key (T2).

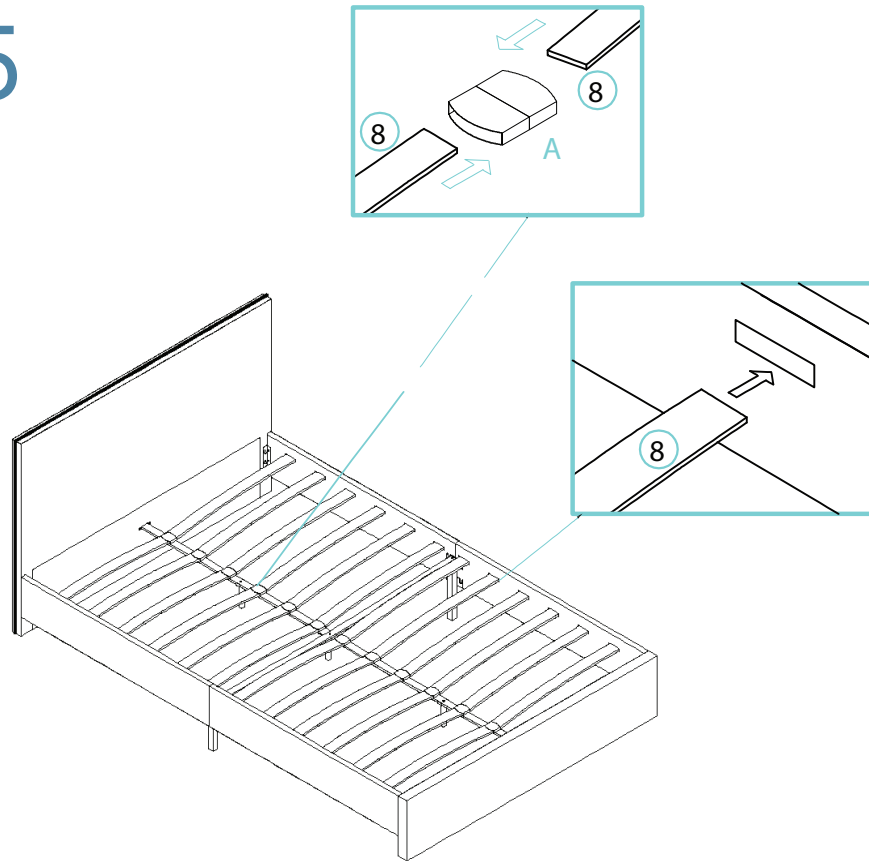
4b: Attach 2x panel [5] to panels [1] and [2] and secure with 4x 20mm bolts (F) as shown. Tighten with Allen Key (T2).

4c: Attach panels [5] and [6] in the middle with 1x support leg [7] and secure with 1x 35mm bolt (H). Tighten with Allen Key (T2).

4d: Attach 2x support legs (7) to panels [5] and [5] as shown and secure with 2x 25mm bolts (E). Tighten with Allen Key (T2).

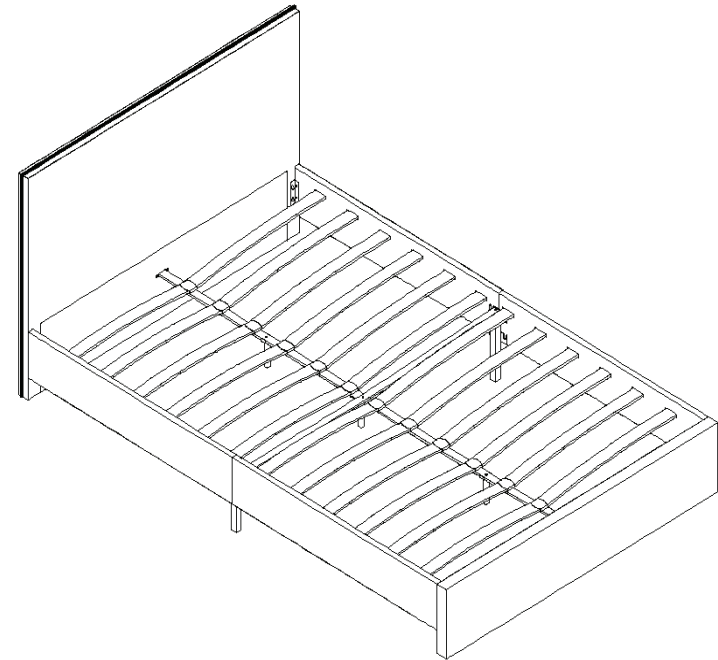
Peyton Bed - Single & King Single

5



Join the bed planks together in the middle of the frame using 12x double caps (A). Insert the end of the planks into the bed frame as shown and attach the double caps (A) into panel [8]. Make sure the double caps (A) click securely into place.

6



Lift the bed into the desired location, do not drag. You're done, enjoy!