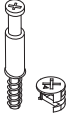
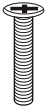
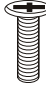


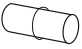


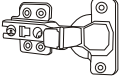







Parker Buffet

Assembly Instructions

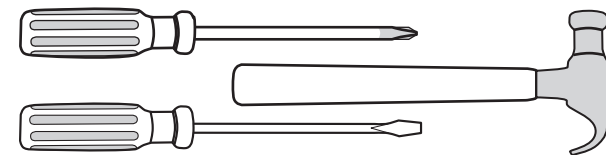
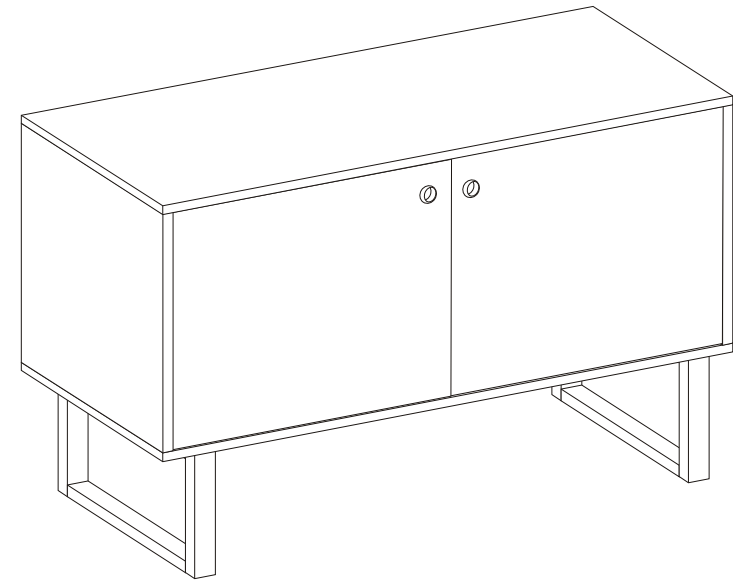
Thank you for your purchase.
Please follow the instructions below for correct assembly.

mocka

A 	B1 	B2 	C1 	C2 
bolt & nut x16	50mm screw x8	30mm screw x12	14mm screw x24	18mm screw x10
D 	E 	F 	G 	H 
shelf plug x8	wedge x10	dowel x16	hinge x4	nail x4
I 	J 	K 	L 	
25mm screw x2	14mm screw x2	wall anchor x2	wall strap x2	

Hardware Supplied

WARNING: Any furniture that is not anchored to a wall has the potential to tip over in certain circumstances, i.e. if a child attempts to climb up on the furniture or in the event of an earthquake. Accordingly, we recommend that all furniture is anchored to a wall. We supply a free safety wall anchor with all furniture sold and we recommend these are used to prevent your product tipping. The fixing device provided should fit most wall types, but please note that different wall materials may require different fixing devices from those supplied.



Phillips & Flathead screwdrivers and hammer required

For quicker assembly, we recommend the use of a power drill on a low-speed setting.

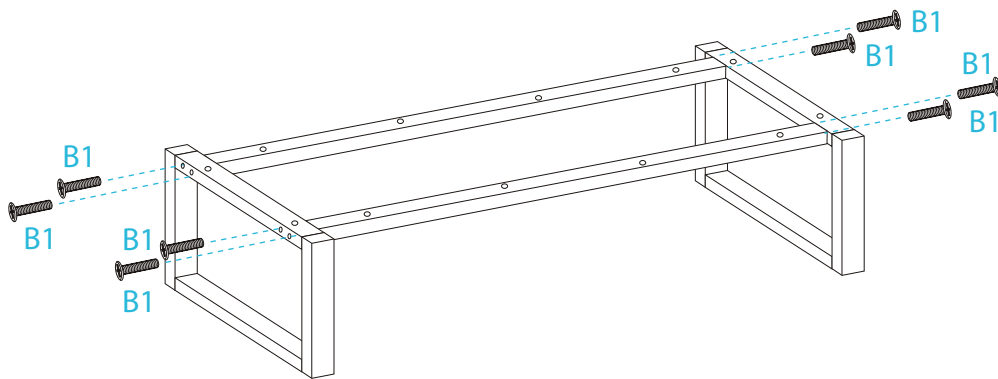
*We recommend using a Flathead screwdriver to tighten all locking nuts 100% before first use.
Please clear any loose wood from the locking nut holes before inserting the nut to ensure it locks 100%.

Parker Buffet

Assembly Instructions

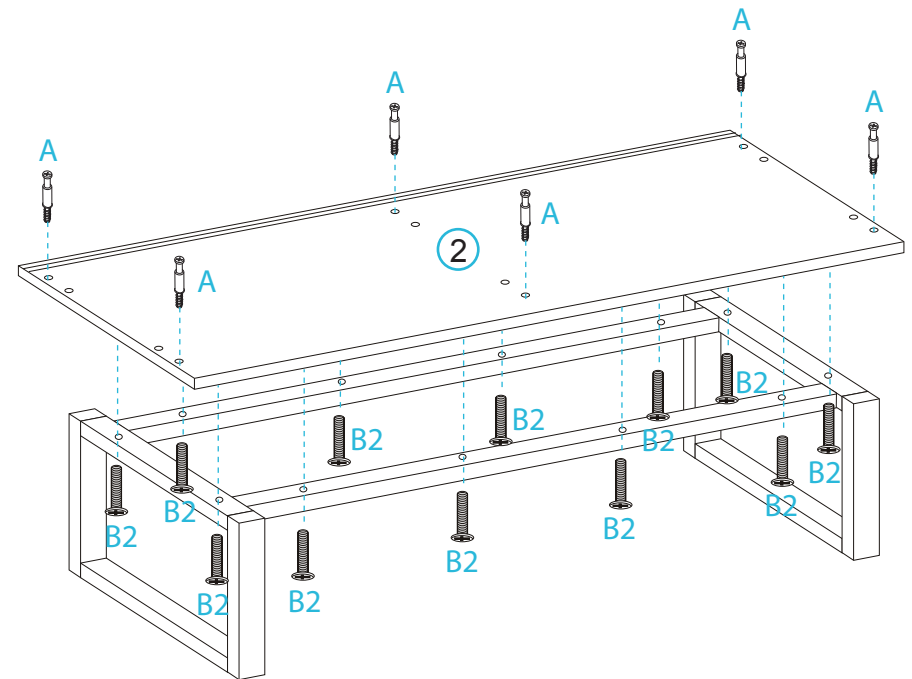
mocka

1



Attach the leg panels together as shown using 8x 50mm screws (B1). Tighten with a screwdriver.

2



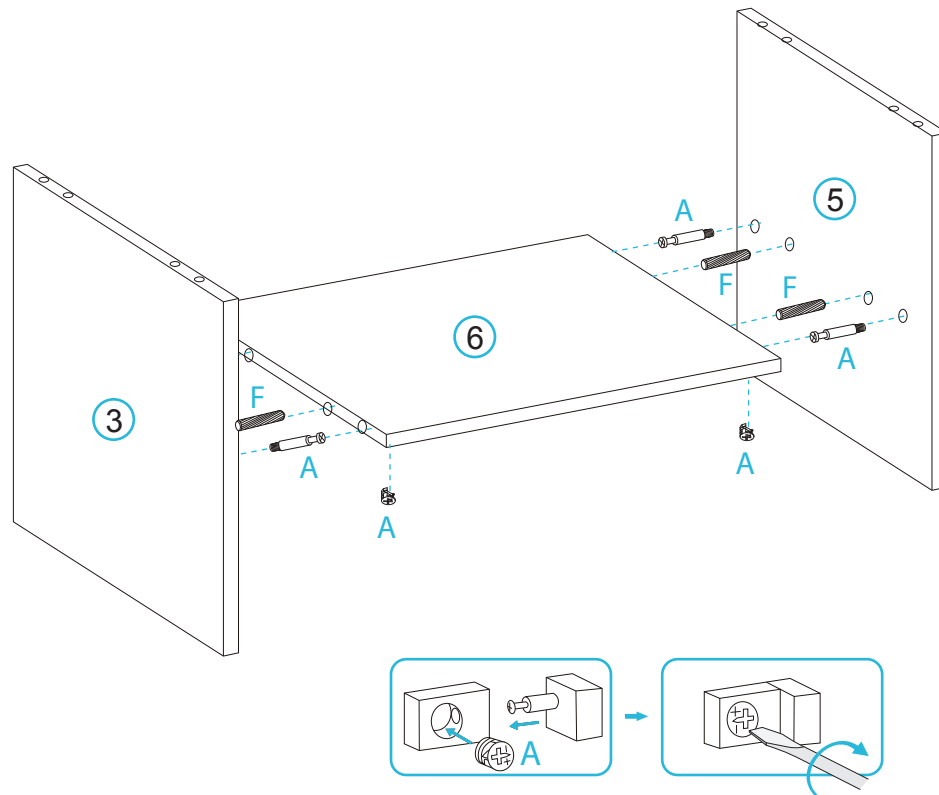
Attach panel [2] to the leg panels using 12x 30mm screws (B2). Tighten with a screwdriver. Insert 6x bolts (A) into panel [2].

Parker Buffet

Assembly Instructions

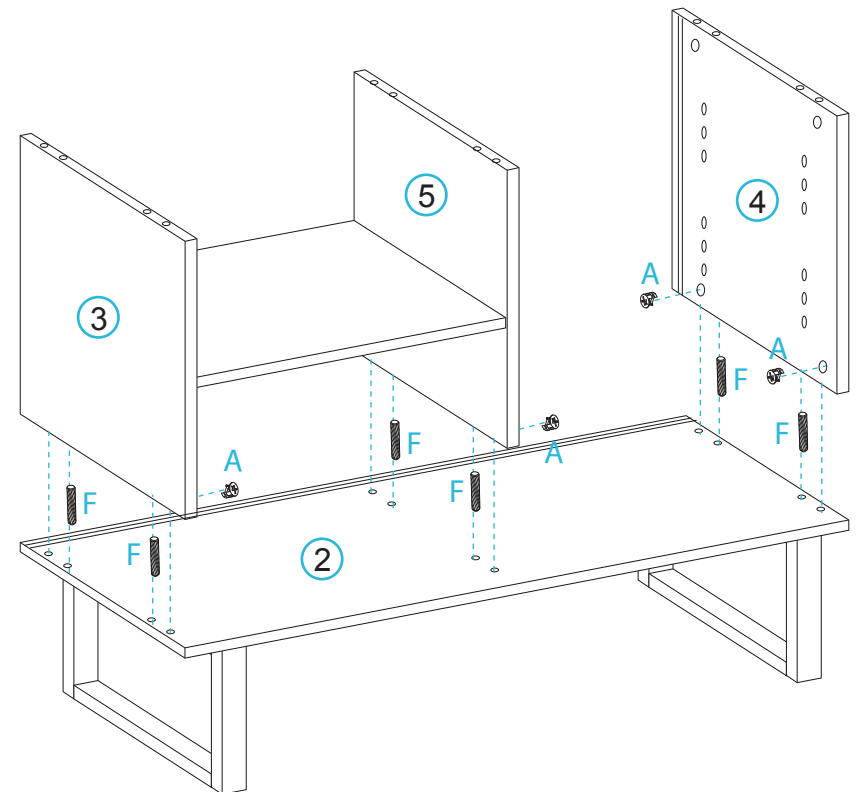
mocka

3



Attach panels [3] and [5] to panel [6] using 4x dowels (F) and 4x nut and bolt sets (A). Tighten with a screwdriver.

4



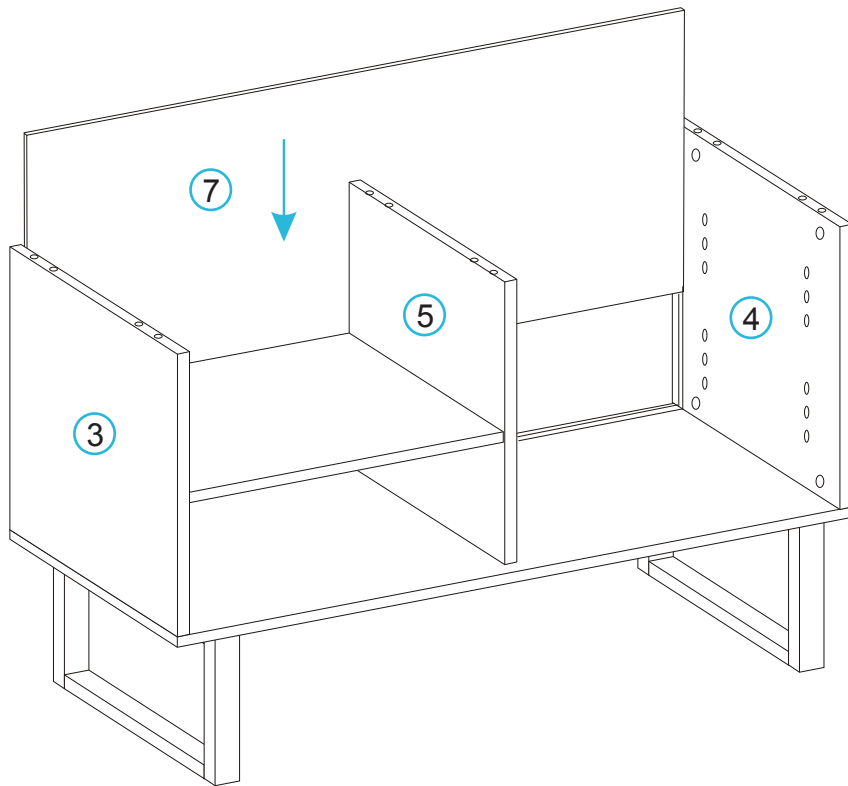
Attach panels [3], [5] and [4] as shown using 6x dowels (F) and 6x locking nuts (A). Tighten with a screwdriver.

Parker Buffet

Assembly Instructions

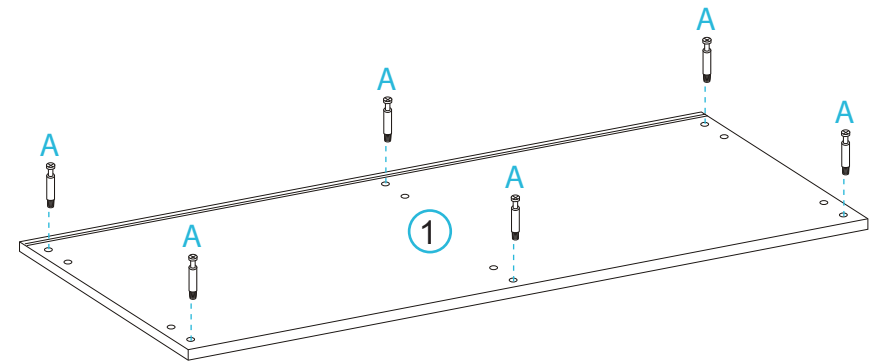
mocka

5



Slide panel [7] down along the grooves between panels [3] and [4] to form the back of the unit.

6



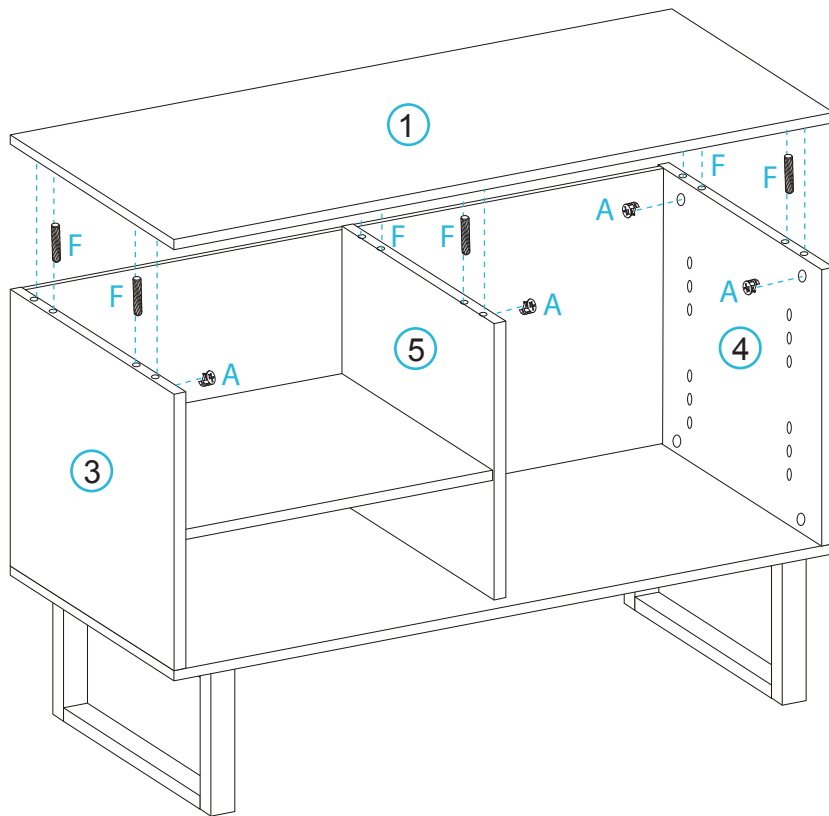
Insert 6x bolts (A) into panel [1].

Parker Buffet

Assembly Instructions

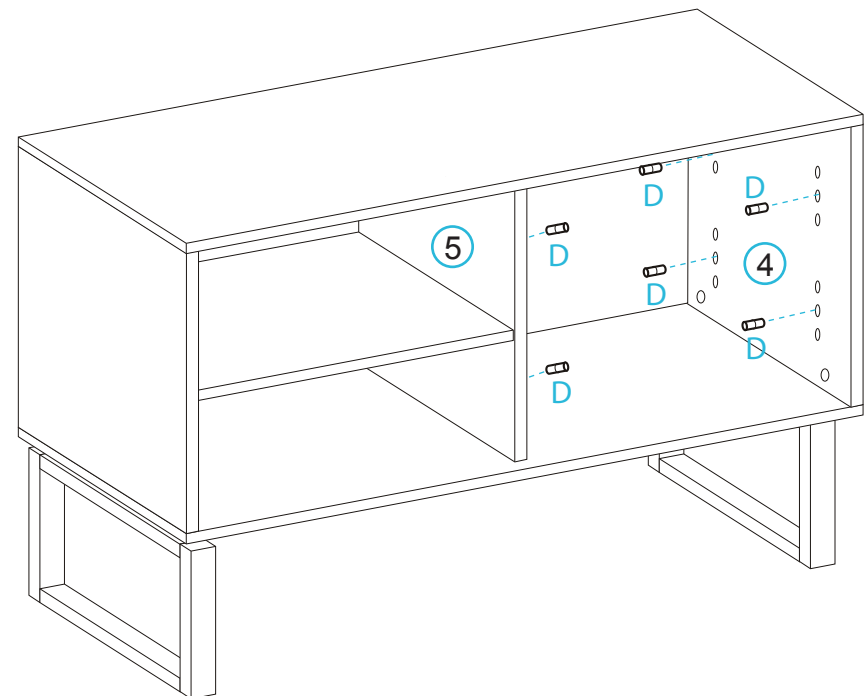
mocka

7



Attach panel [1] to panels [3], [5] and [4] using 6x dowels (F) and 6x locking nuts (A). Tighten with a screwdriver.

8



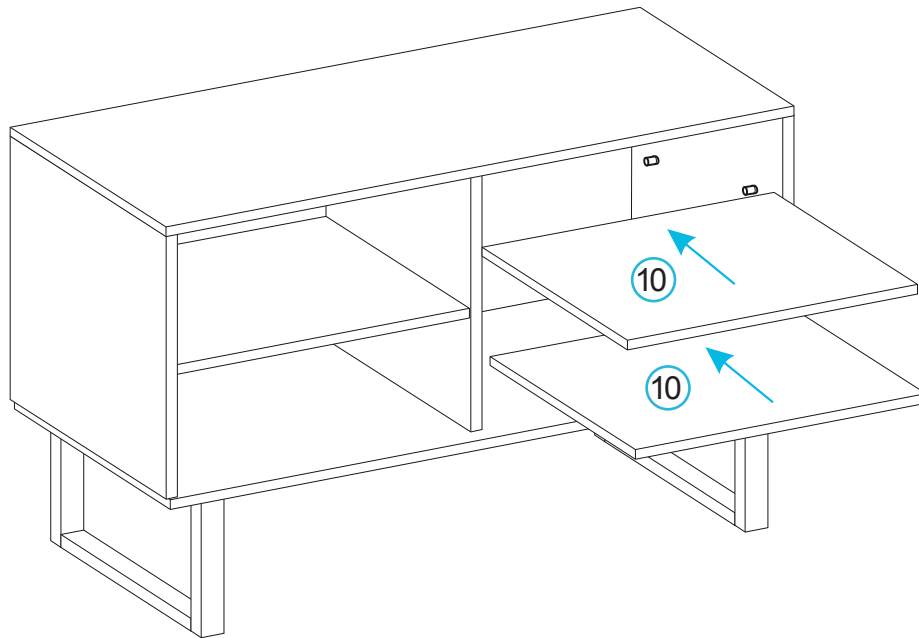
Insert 8x shelf plugs (D) into panels [5] at the desired shelf heights.

Parker Buffet

Assembly Instructions

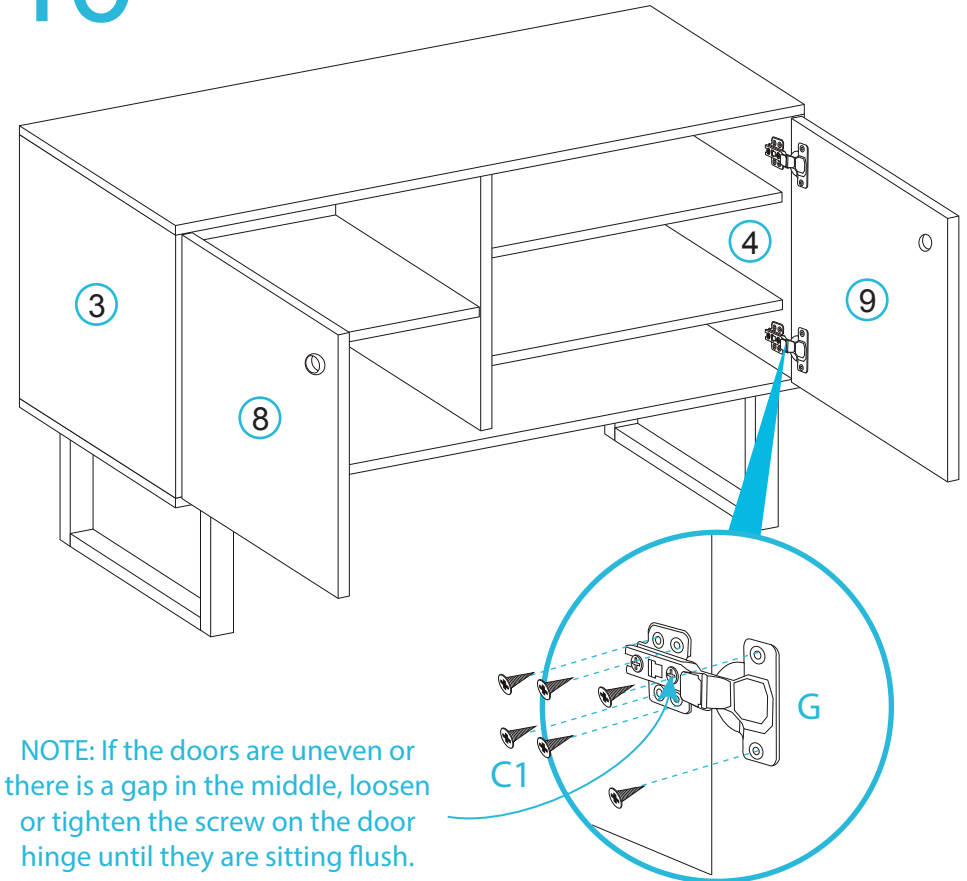
mocka

9



Insert the shelf panels [10], resting them on top of the shelf plugs (D).

10



NOTE: If the doors are uneven or there is a gap in the middle, loosen or tighten the screw on the door hinge until they are sitting flush.

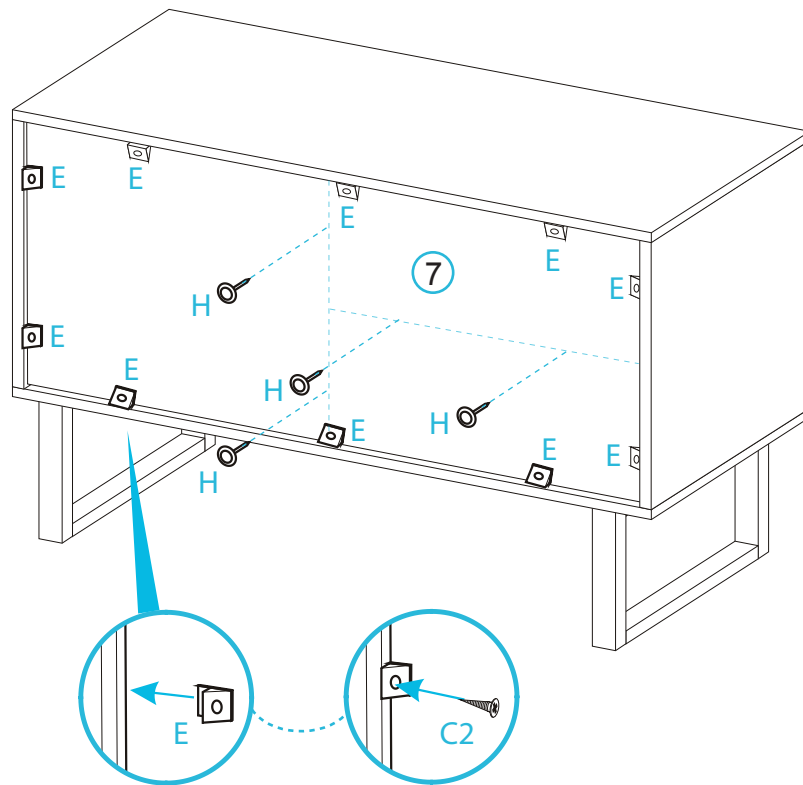
Attach door panel [8] to panel [3] using 1x hinge (H) and secure with 6x 14mm screws (C1). Attach door panel [9] to panel [4] using 1x hinge (G) and secure with 6x 14mm screws (C1). Tighten with a screwdriver.

Parker Buffet

Assembly Instructions

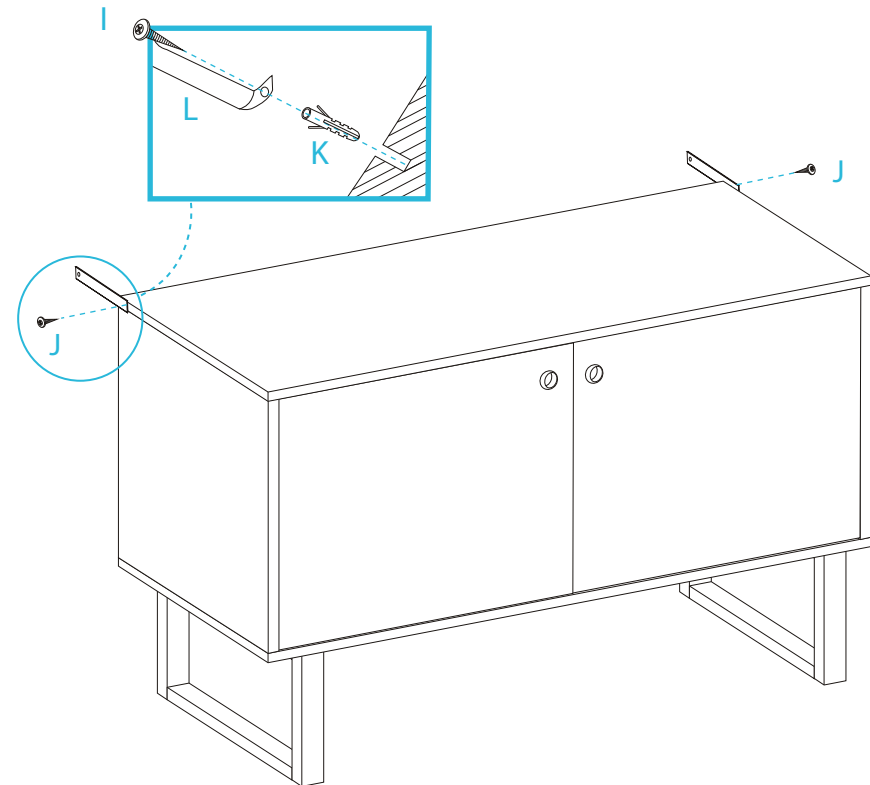
mocka

11



Secure panel [7] against the internal panels [5] and [6] as shown using 4x nails (H). Attach 10x wedges to panel [8] using 10x 18mm screws (C). Tighten with a screwdriver. Once assembled lift furniture into position, do not drag.

12 Safety Straps



Move the unit into the desired location up against a wall. Attach 2x wall straps (L) to the back sides of panel [1] and secure with 2x 14mm screws (J). Fasten to wall using 2x wall anchors (K) and 2x wall screws (I). Tighten with a screwdriver. Ensure unit is balanced and steady before use. You're done, enjoy!