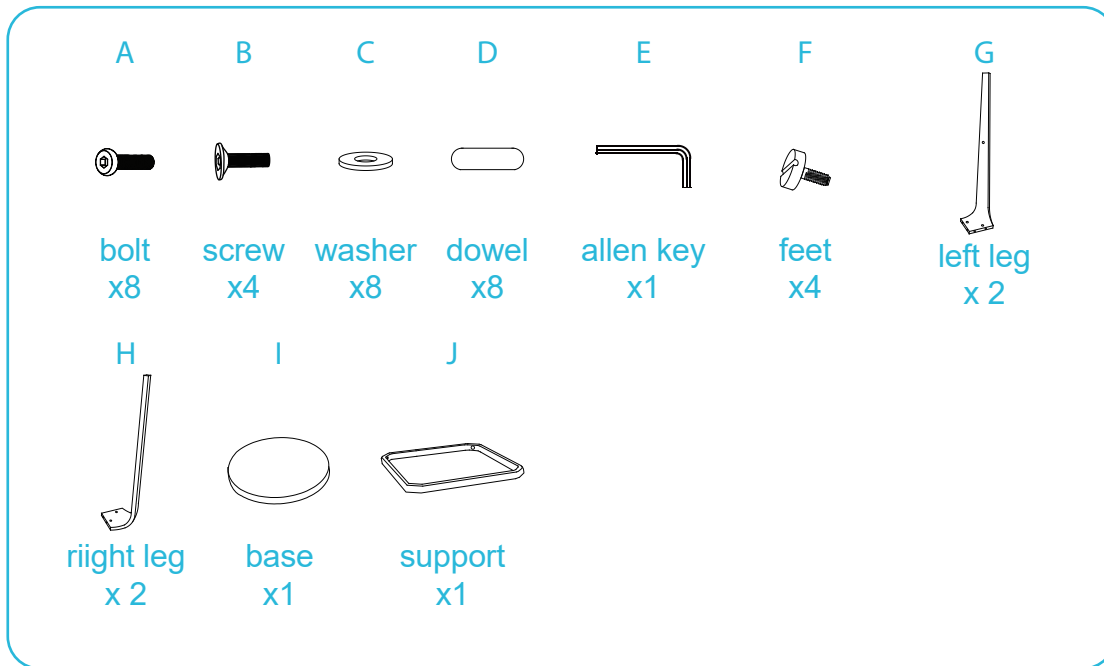


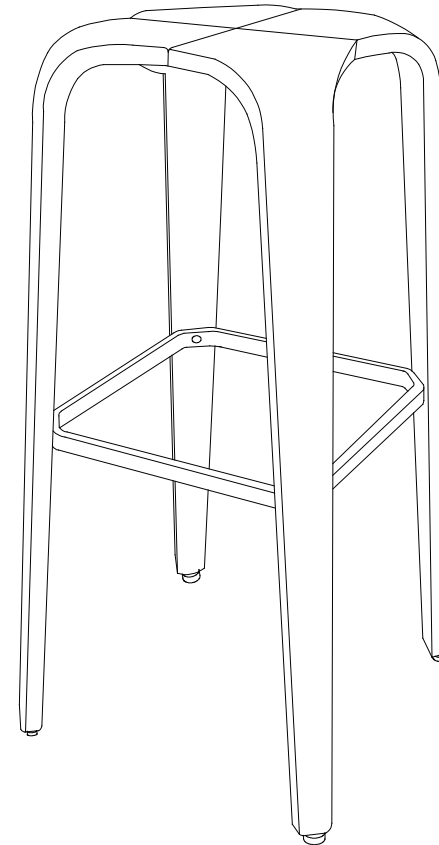
Oslo Bar Stool

Assembly Instructions

Thank you for your purchase.
Please follow the instructions below for correct assembly.



mocka

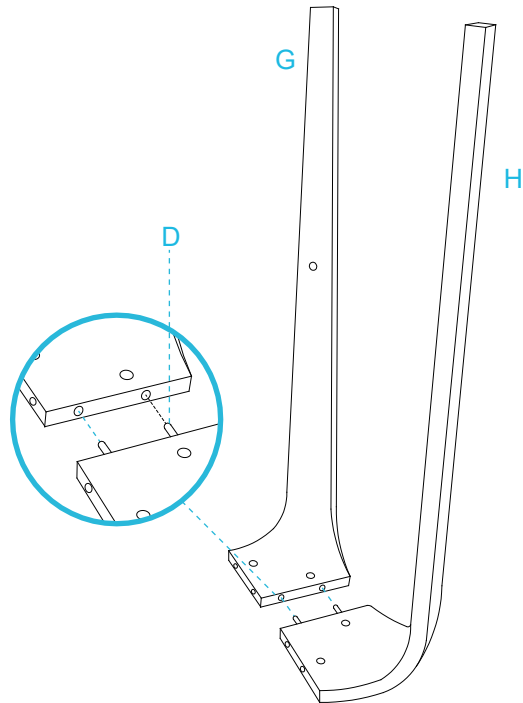


Oslo Bar Stool

Assembly Instructions

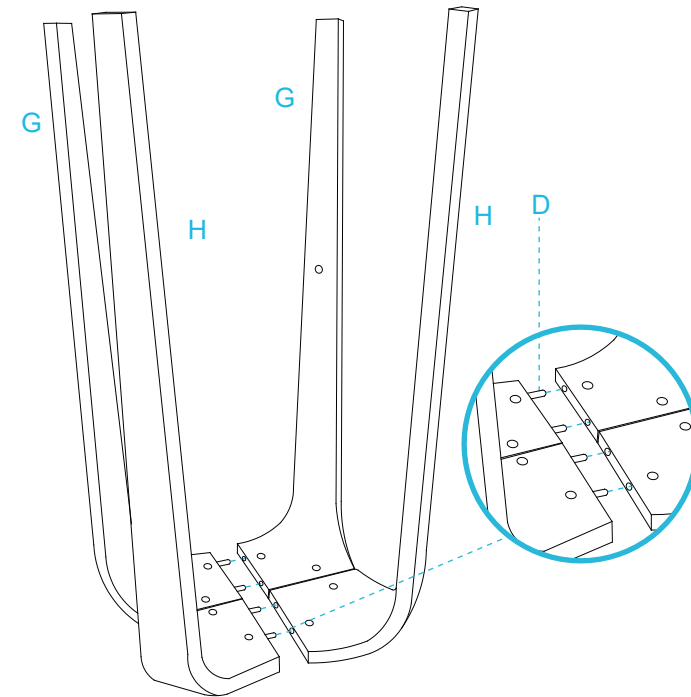
mocka

1 Legs x 2



Attach 1 x left leg (G) to 1 x right leg (H) and secure with 2 x dowels (D).

2



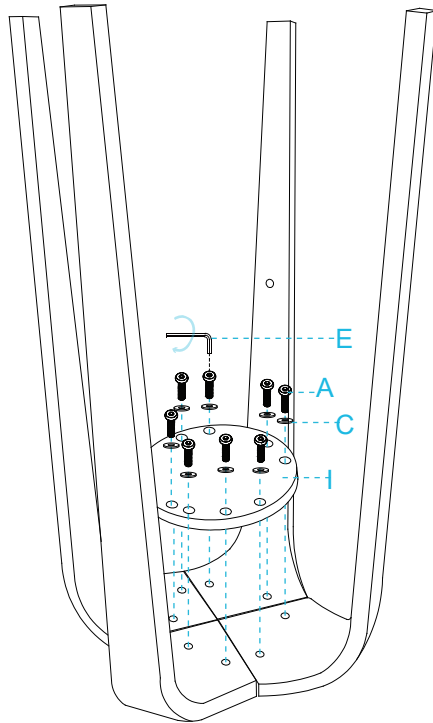
Attach 1 x left leg (G) to 1 x right leg (H) and secure with 4 x dowels (D).

Oslo Bar Stool

Assembly Instructions

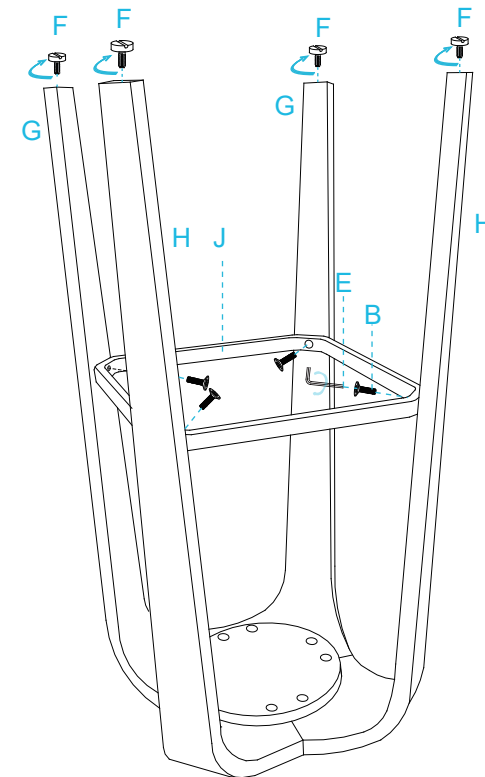
mocka

3



Attach 1 x base (I) to the legs and secure with 8 x bolts (A), 8 x washers (C). Tighten with Allen key (E).

4



Attach 1x support (J) to the legs as shown and secure with 4x screws (B). Tighten with Allen key (E). Insert 4x feet (F) into the ends of the legs panels (G) and (H) as shown. You're done, enjoy!