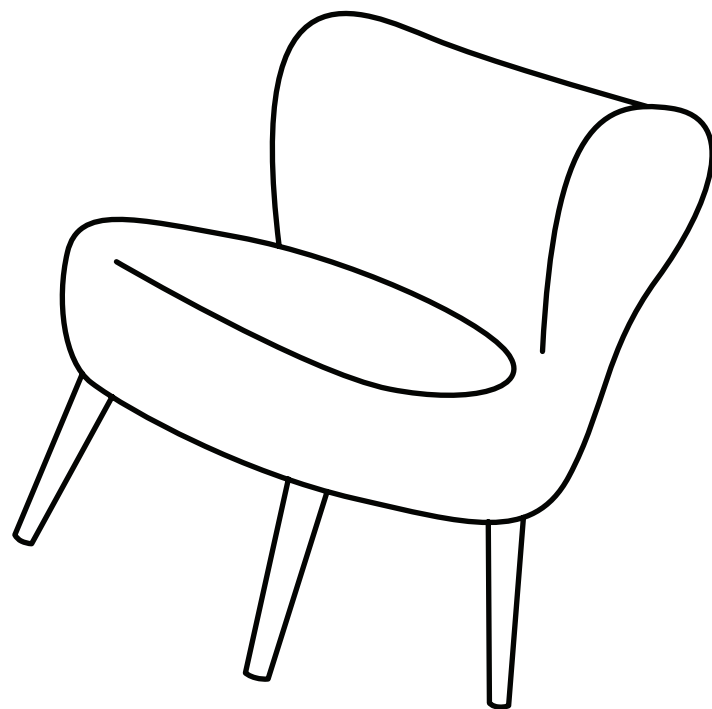
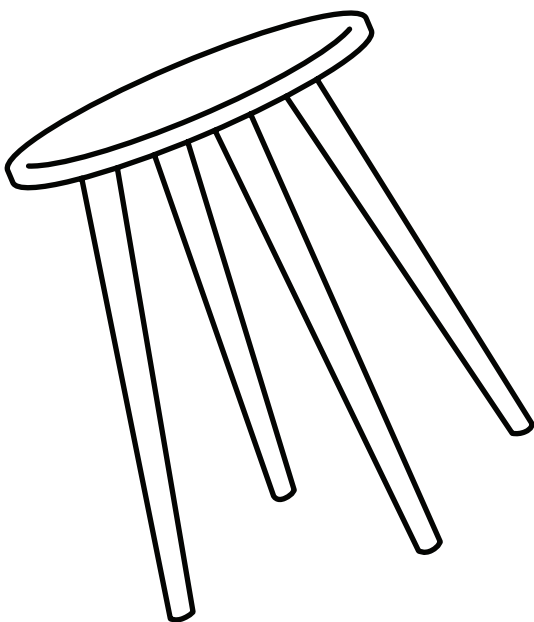


Hello,
I've arrived!

Now that I'm here you are only one
flat-pack away from transforming
your home.



Mocka.

Thank you for supporting us.

We believe design belongs to everyone. From materials and processes to safety testing, production and delivery, we are passionate and committed to bringing you the best possible product so you can create beautifully functional spaces to feel comfortably you.

Here are a few assembly tips before you get started:



Make Time

The first step to all seamless assembly is taking a moment to carefully read through the instructions—you are already on your way to creating a beautifully functional space!



Set The Mood

Put on your favourite playlist, order that pizza and pour yourself a drink to get in the mood!



Tool Check

Layout the instructions, screws and panels to check you have everything you need. A blanket or soft floor rug will help protect your new favourite item from scratches and a drill will speed up the assembly too!



Room Reveal

You did it! Take a step back and enjoy the moment. Don't forget to recycle any packaging and share a pic of your room reveal—we love seeing how you transform your home! Tag us @mockaaustralia/@mockaanz

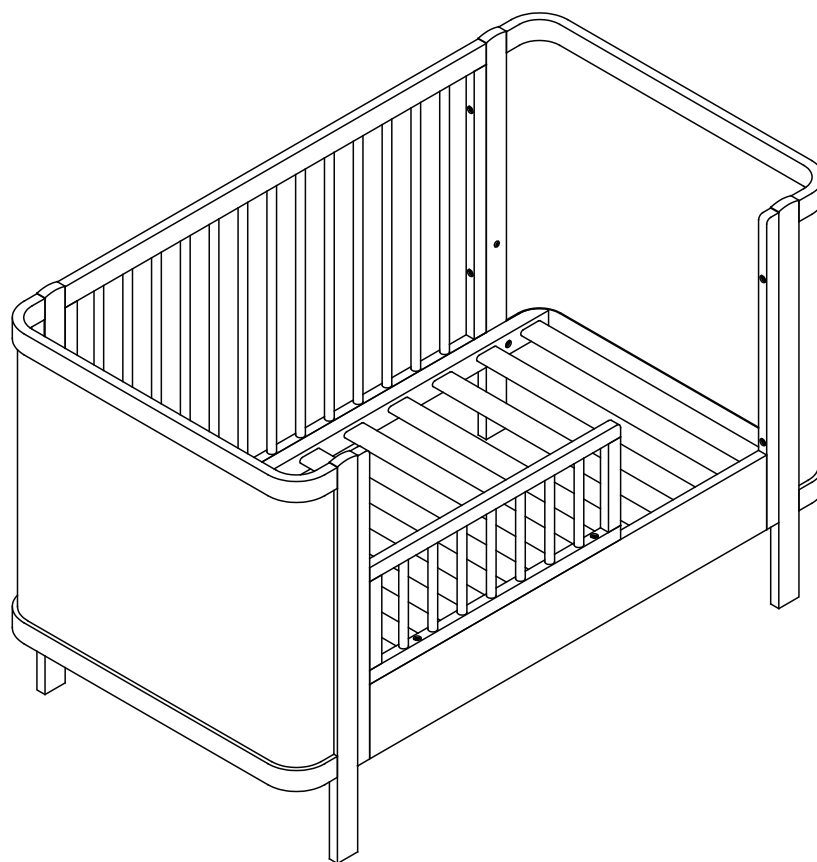
Happy flat-packing!

The Mocka Team

Orlando Cot

Toddler Bed Half Frame

Thank you for your purchase. Please follow the instructions for correct assembly. While we took great effort to ensure these assembly instructions were correct at the time of printing, sometimes updates are required post production. For the most up to date versions please refer to the product page on our website. mocka.com.au/mocka.co.nz

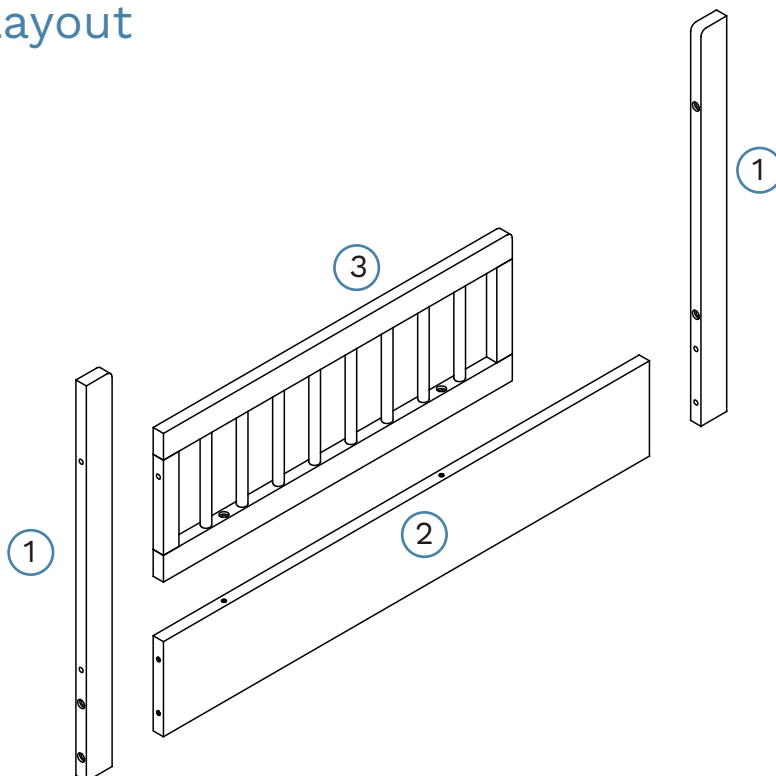


(COT NOT INCLUDED)

Orlando Cot

Toddler Bed Half Frame

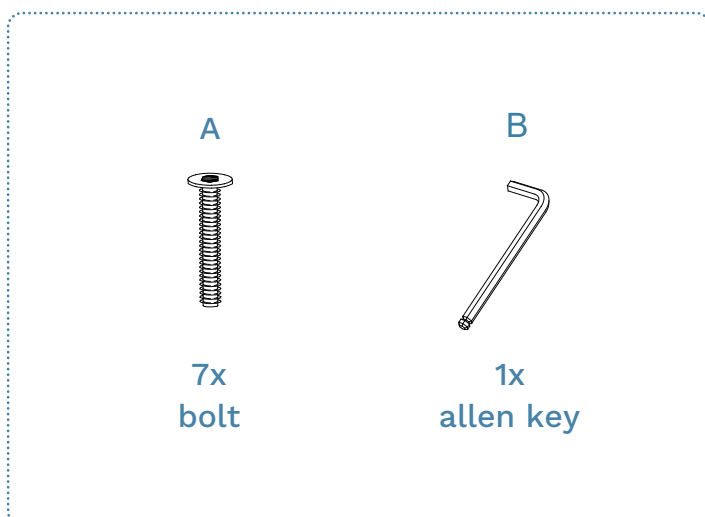
Panel Layout



Partlist

①	Short Panel	x2
②	Long Panel	x1
③	Guard	x1

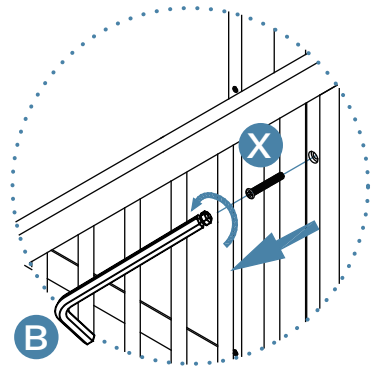
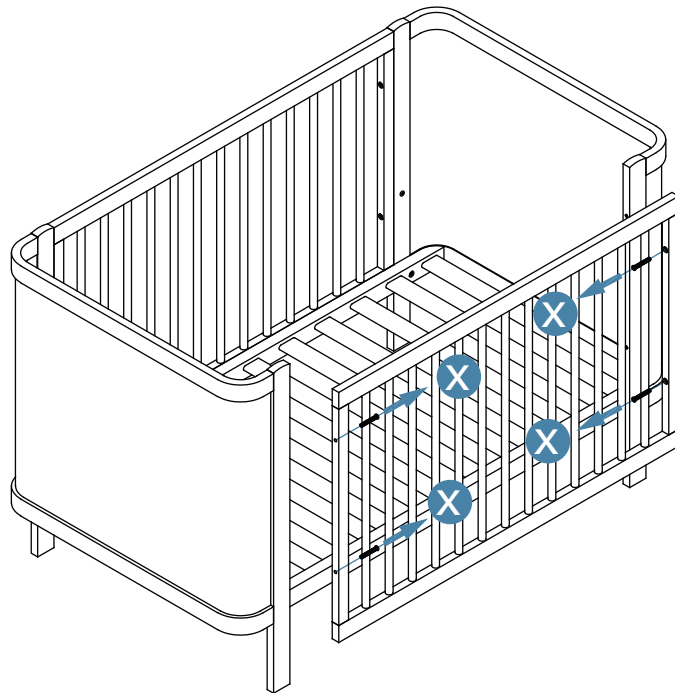
Hardware Supplied



Orlando Cot

Toddler Bed Half Frame

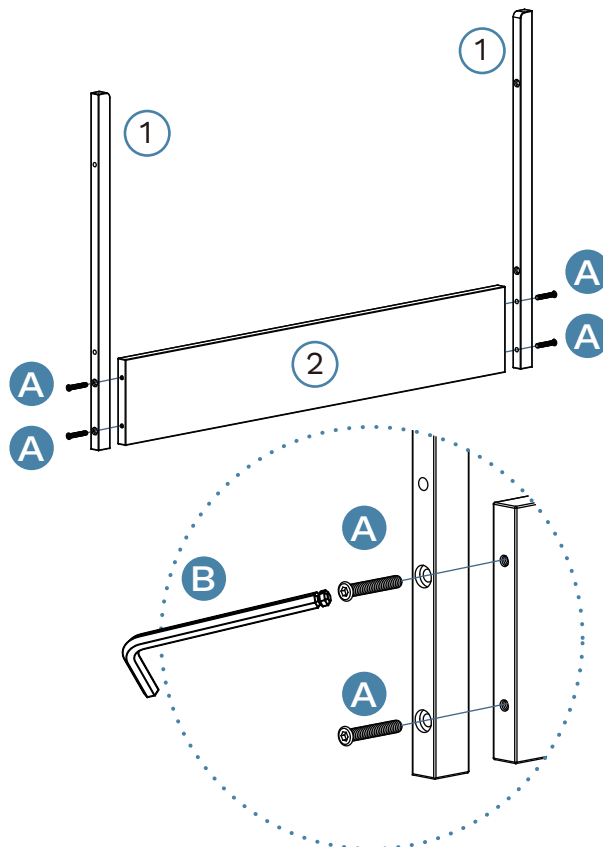
1




Flip the allen key around so the ball end is lined up with the screw/bolt.

Remove the (X) Bolts already installed in the cot with Allen Key (B) . Please hold onto the (X) Bolts as you will need these to install the conversion.

2



Hardware Needed

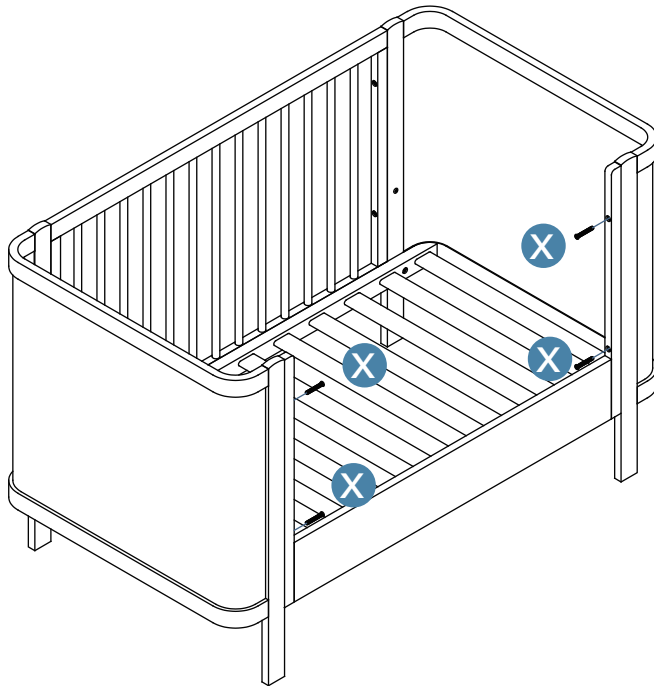
A		x4
---	---	----

Flip the allen key around so the ball end is lined up with the screw/bolt.

Orlando Cot

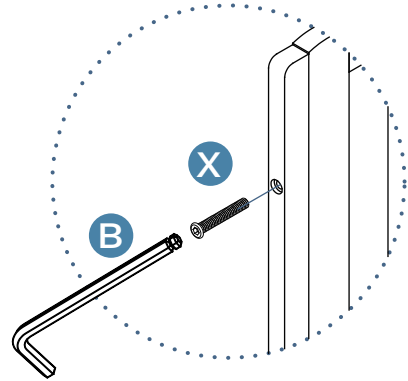
Toddler Bed Half Frame

3

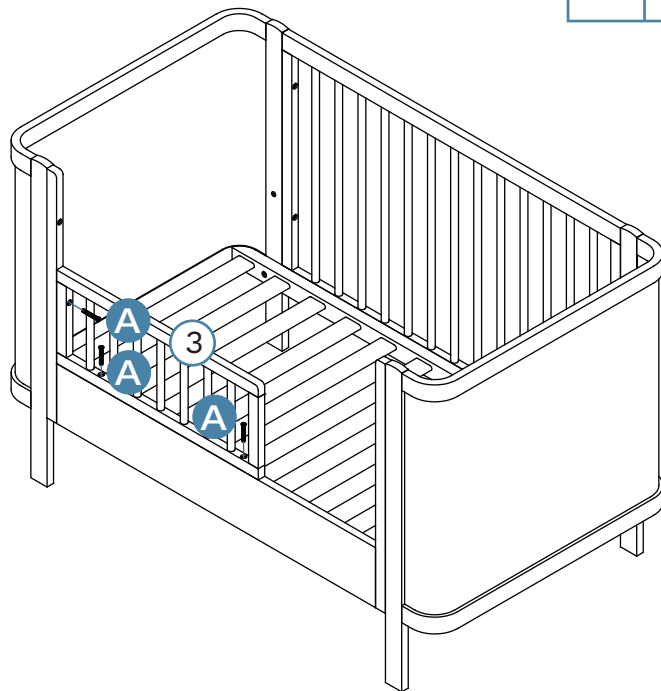
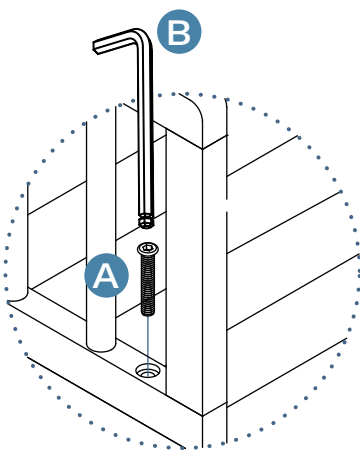


Hardware Needed

X		x4
---	---	----



4



Hardware Needed

A		x3
---	---	----

Tighten all bolts with an Allen key (B). You're done, enjoy!