

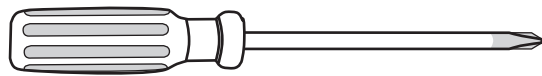
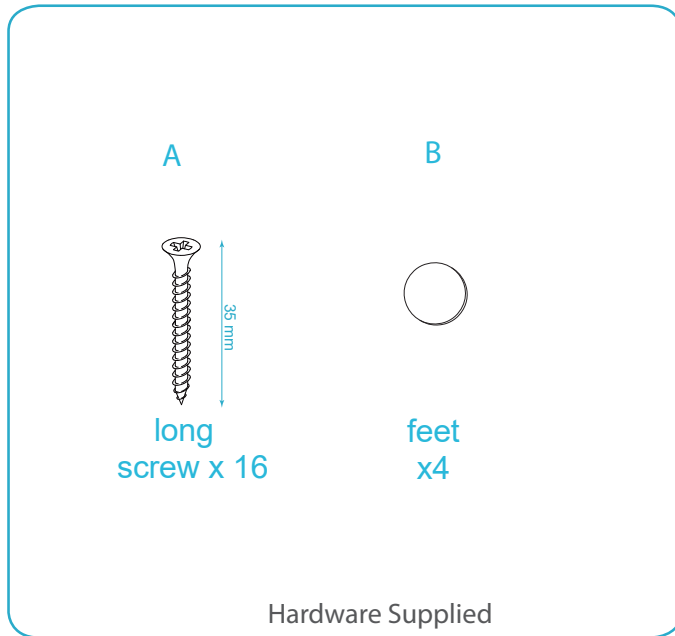
# Olwyn Side Table

## Assembly Instructions

Thank you for your purchase.

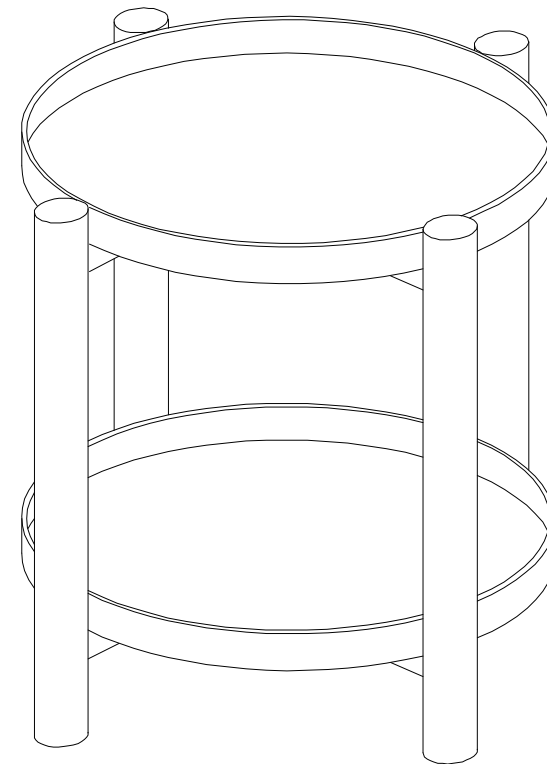
Please follow the instructions below for correct assembly.

# mocka



Phillips screwdriver required

For quicker assembly, we recommend the use of a power drill on a low-speed setting.



\*We recommend using a Flathead screwdriver to tighten all locking nuts 100% before first use.  
Please clear any loose wood from the locking nut holes before inserting the nut to ensure it locks 100%.

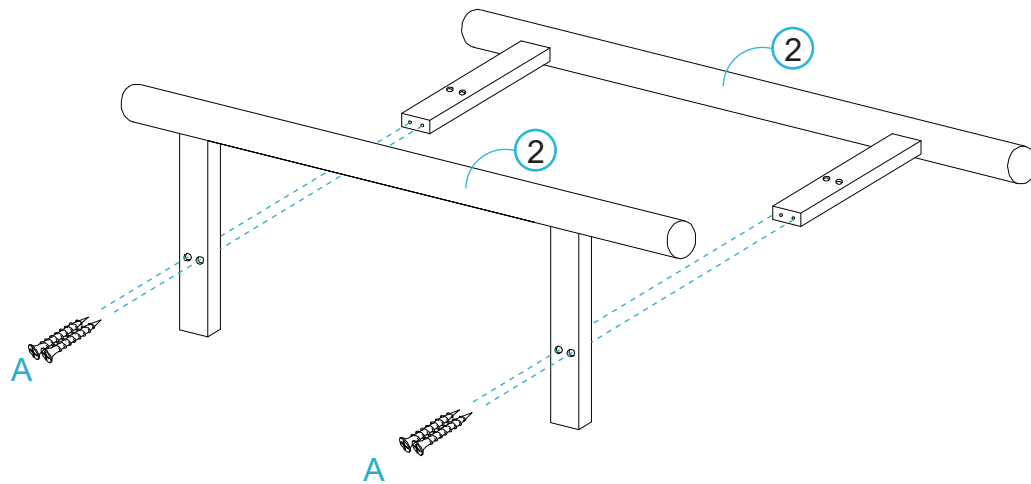
# Olwyn Side Table

## Assembly Instructions

Thank you for your purchase.  
Please follow the instructions below for correct assembly.

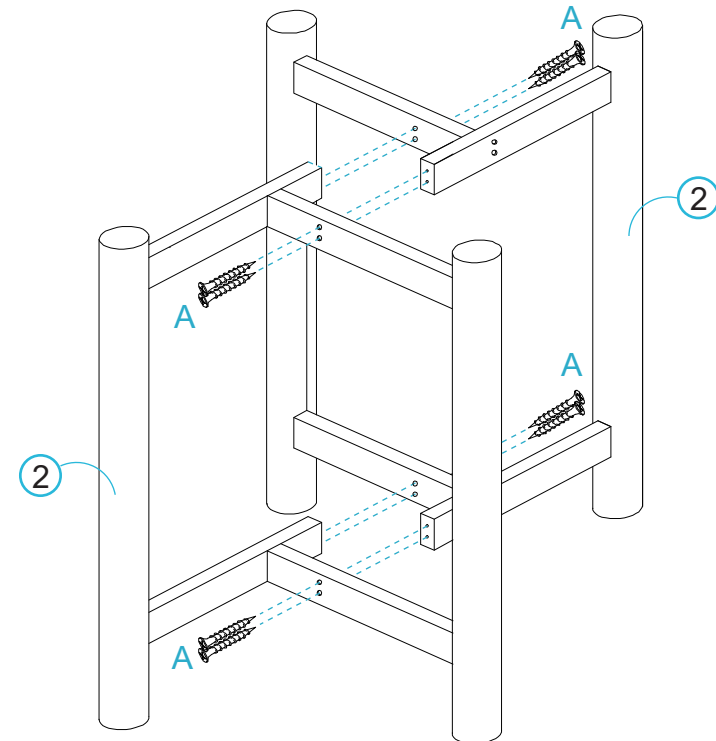
mocka

### 1 Legs (x2)



Attach parts [2] secure with 8 x long screws (A). Tighten with a screwdriver.

### 2



Attach parts [2] secure with 8 x long screws (A). Tighten with a screwdriver.

# Olwyn Side Table

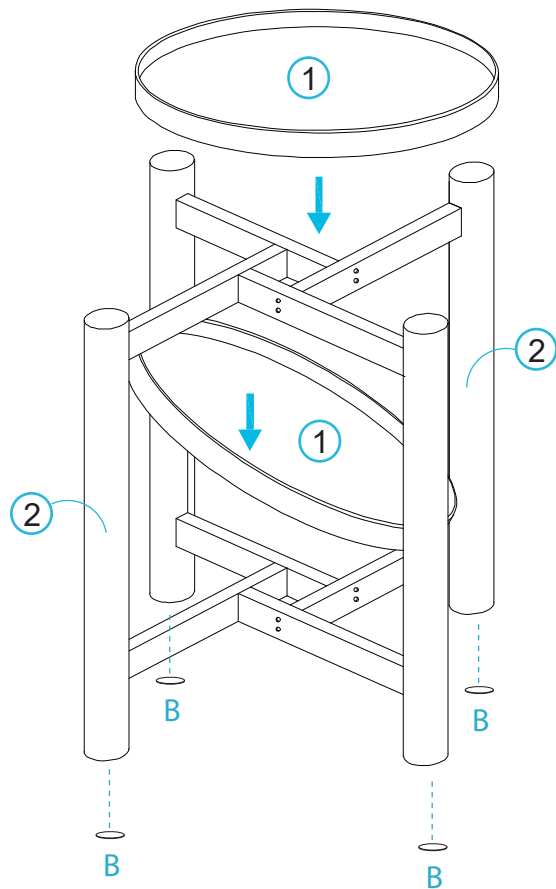
## Assembly Instructions

Thank you for your purchase.

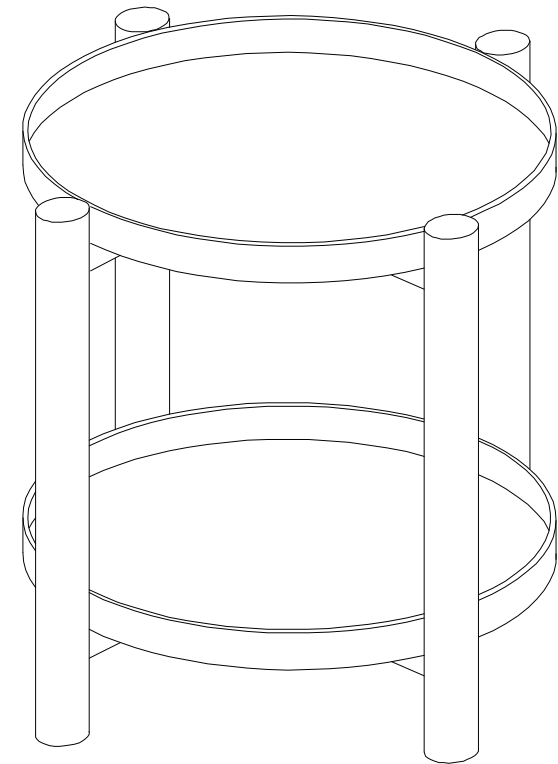
Please follow the instructions below for correct assembly.

mocka

3



4



Screw the legs into the brackets as shown. Attach 4x feet (B) to the bottom of the legs. Attach panels [1] between the grooves on panels [2].