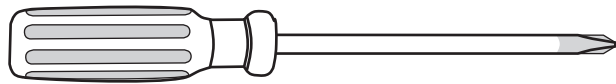
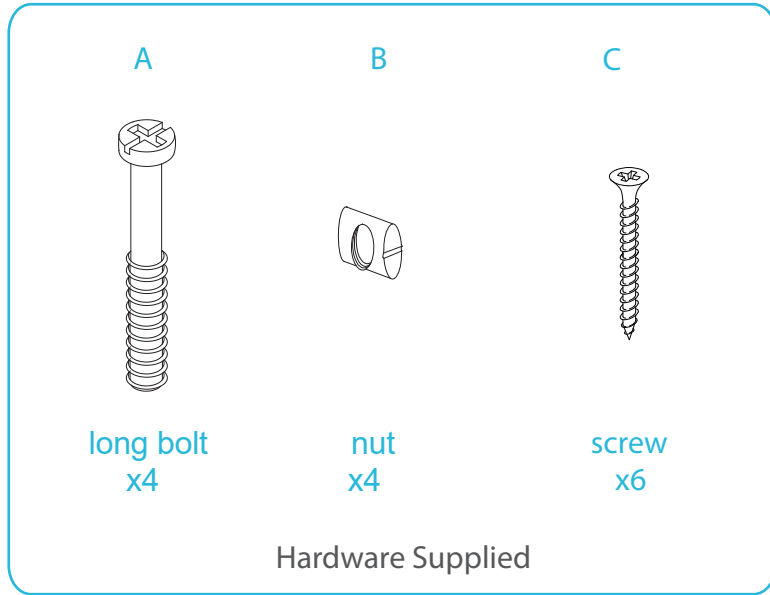


# Noah Play Table

## Assembly Instructions

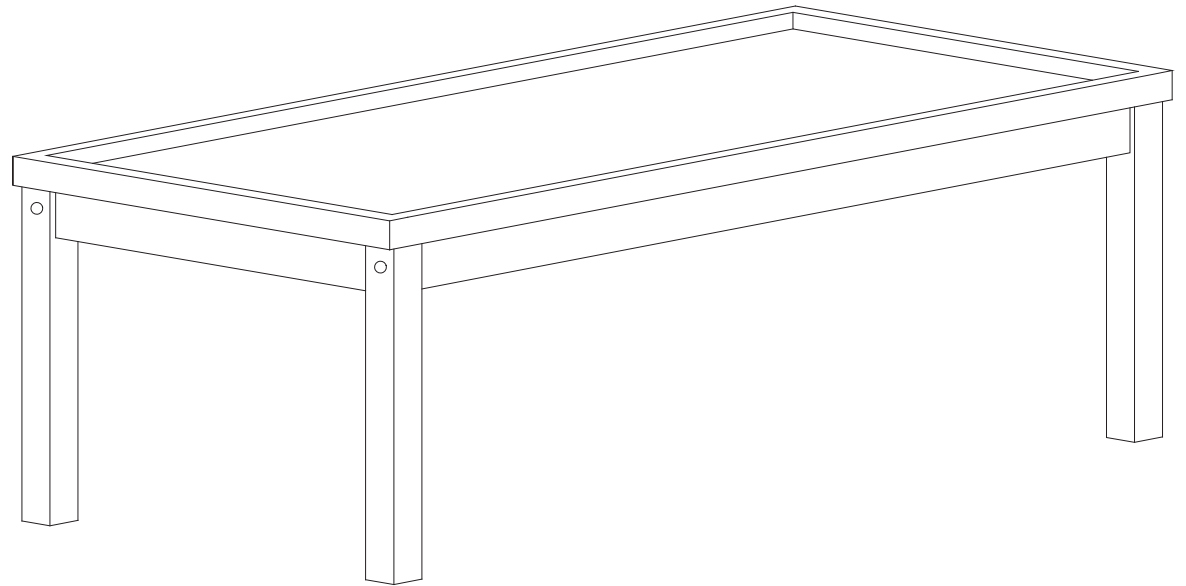
Thank you for your purchase.  
Please follow the instructions below for correct assembly.

# mocka



Phillips & Flathead screwdrivers and hammer required

For quicker assembly, we recommend the use of a power drill on a low-speed setting.



\*We recommend using a Flathead screwdriver to tighten all locking nuts 100% before first use.  
Please clear any loose wood from the locking nut holes before inserting the nut to ensure it locks 100%.

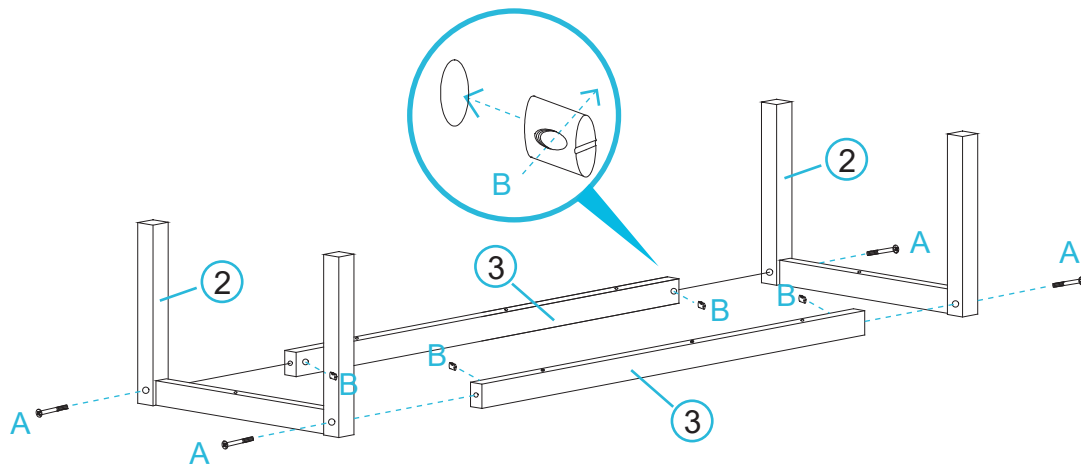
# Noah Play Table

## Assembly Instructions

mocka

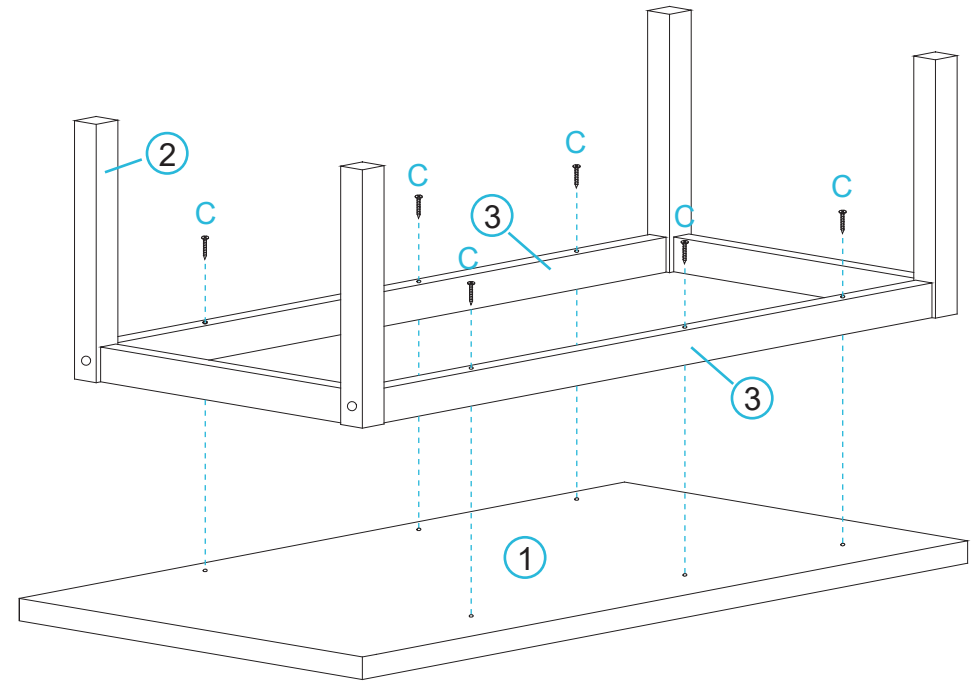
Thank you for your purchase.  
Please follow the instructions below for correct assembly.

1



Insert 4 x nuts (B) into panel [3]. Attach panel [2] to panel [3] and secure with 4 x long bolt (A). Tighten with a screwdriver.

2



Attach panels [2] and [3] to panel [1] and secure with 6 x long screws (C). Tighten with a screwdriver.