

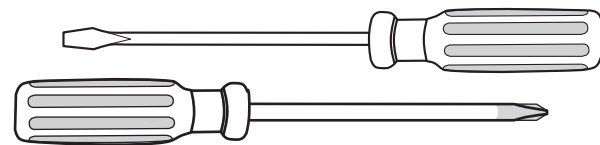
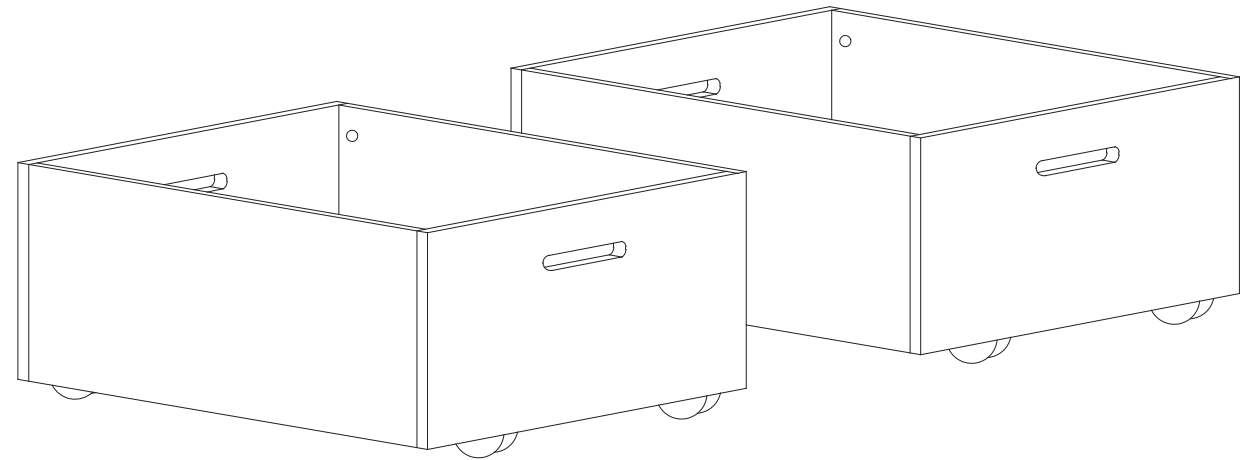
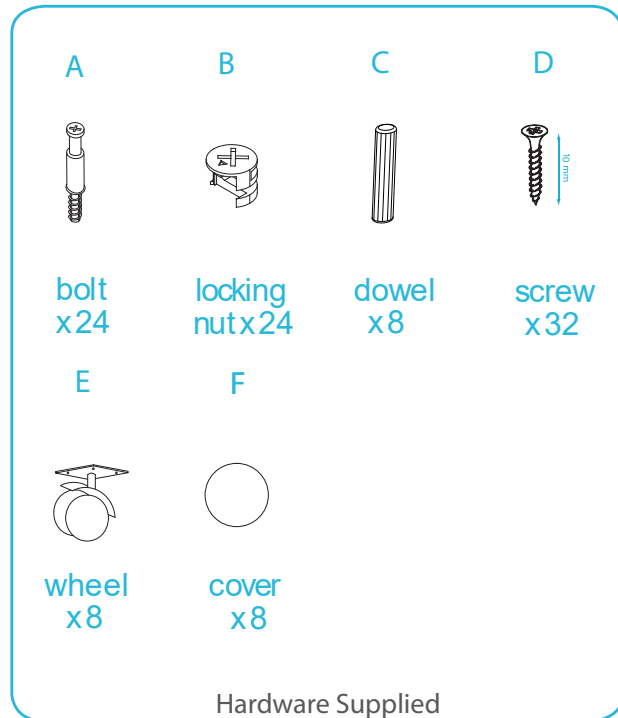
Noah Play Boxes -Set of 2

Assembly Instructions

Thank you for your purchase.

Please follow the instructions below for correct assembly.

mocka



Phillips & Flathead screwdrivers required

For quicker assembly, we recommend the use of a power drill on a low-speed setting.

*We recommend using a Flathead screwdriver to tighten all locking nuts 100% before first use.
Please clear any loose wood from the locking nut holes before inserting the nut to ensure it locks 100%.

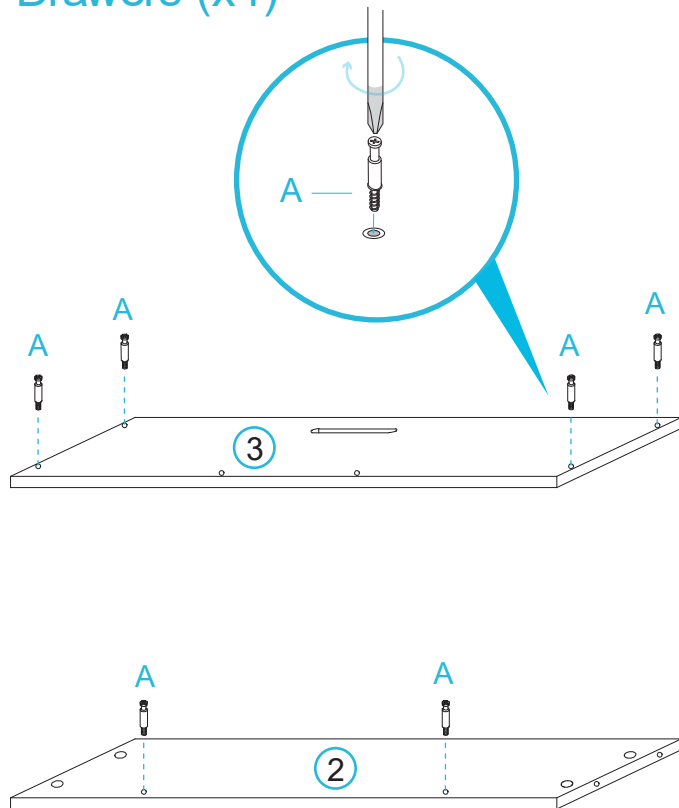
Noah Play Boxes -Set of 2

Assembly Instructions

mocka

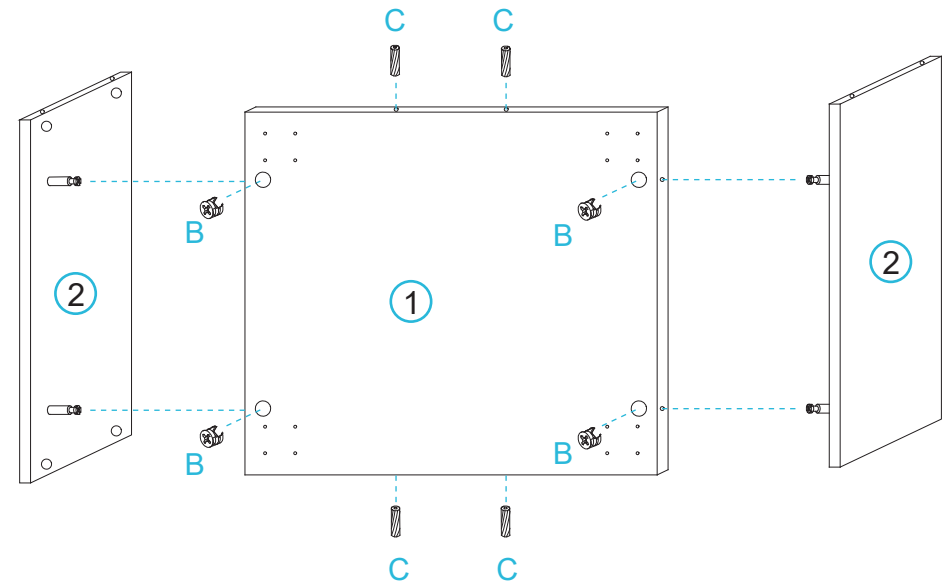
Thank you for your purchase.
Please follow the instructions below for correct assembly.

1 Drawers (x4)



Attach panel [2] into panel [3] and secure 24 x bolts (A).
Tighten with a screwdriver.

2 Drawers (x2)



Attach the front panel [2] and back panel [1] with 8x locking nuts (B).
Insert 8 x dowel (C) into panel [1]. Tighten with a screwdriver.

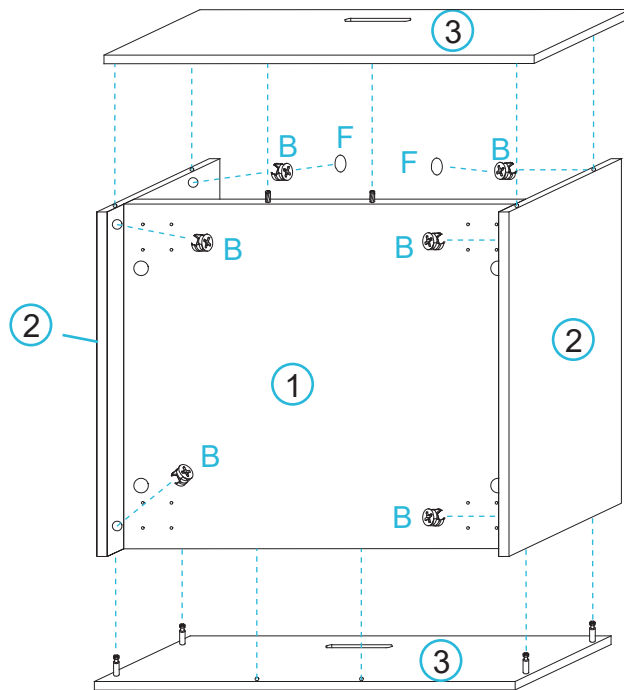
Noah Play Boxes -Set of 2

Assembly Instructions

mocka

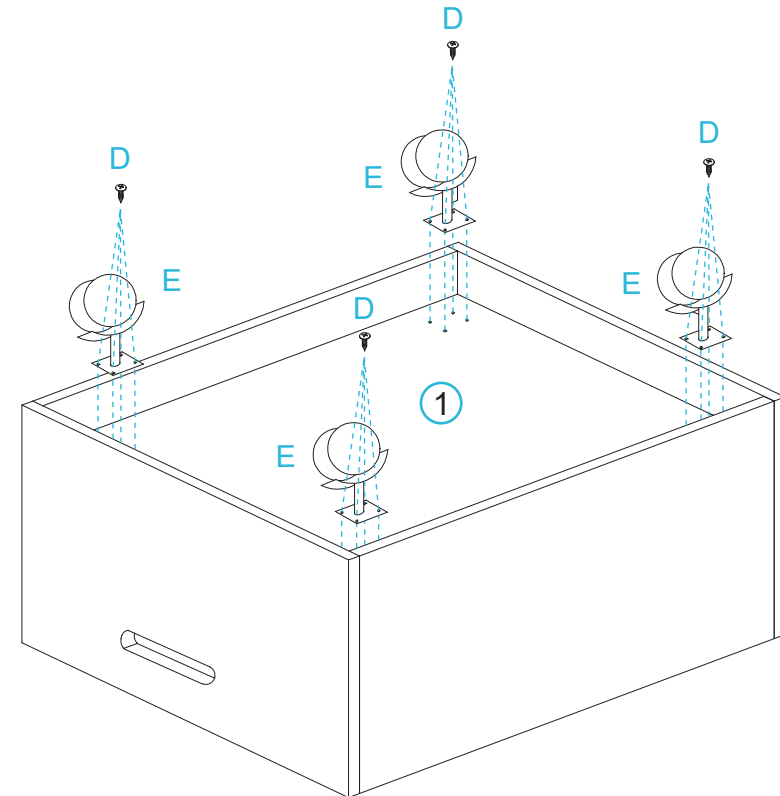
Thank you for your purchase.
Please follow the instructions below for correct assembly.

3 Drawers (x2)



Attach the front panel [2] and back panel [3] with 16 x locking nuts (B). Cover locking nuts (B) with 8 x covers (F). Tighten with a screwdriver.

4 Drawers (x2)



Attach 8 x wheels (E) to the underside of panel [1] as shown, using 32x screws (D). Tighten with a screwdriver.