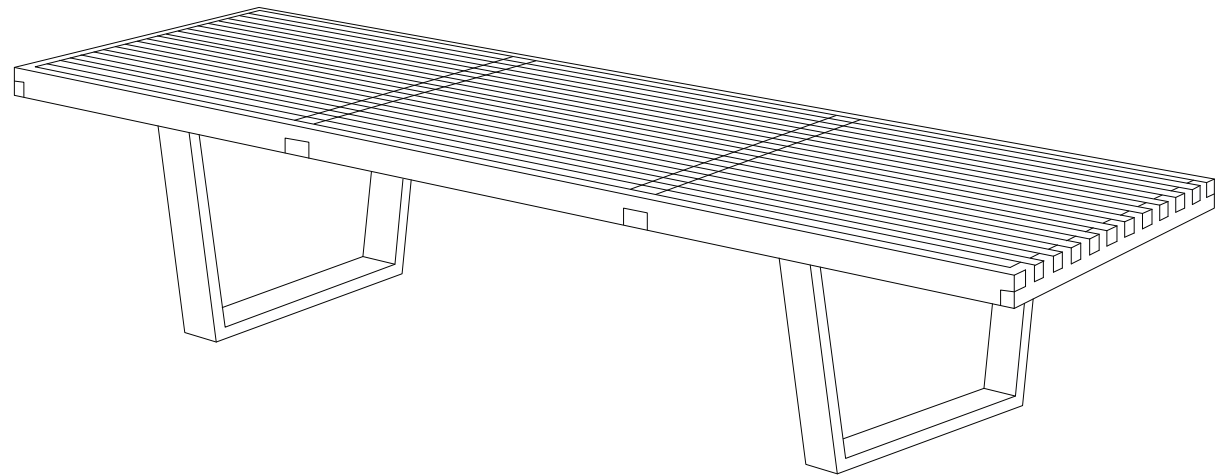
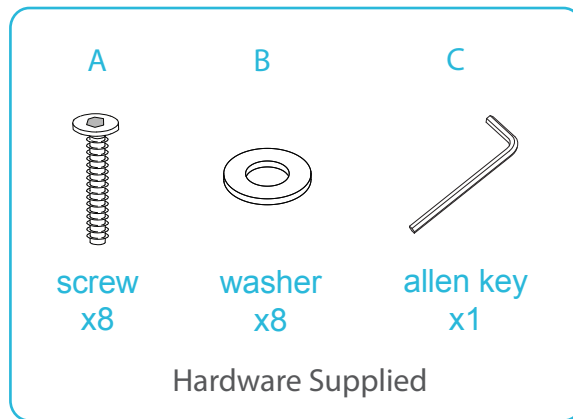


Nelson Platform Bench

Assembly Instructions

mocka

Thank you for your purchase.
Please follow the instructions below for correct assembly.



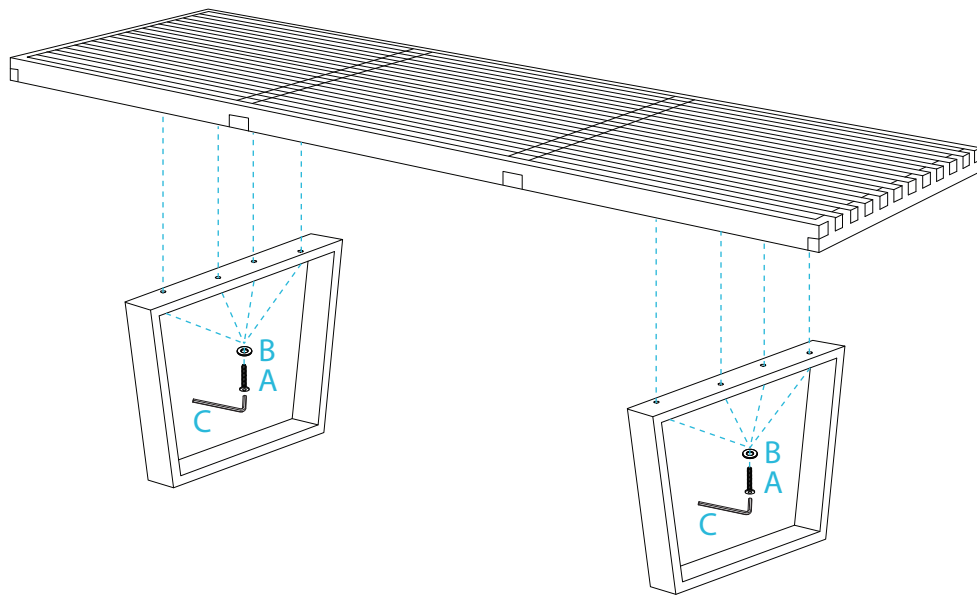
For quicker assembly, we recommend the use of a power drill on a low-speed setting.

Nelson Platform Bench

Assembly Instructions

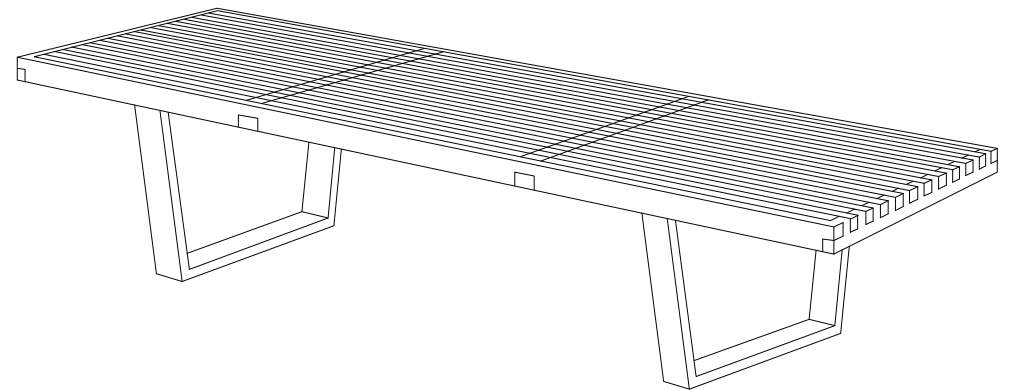
mocka

1



Attach the table top to the legs using 8x washers (B) and 8x screws (A) as shown. Tighten using the allen key (C).

2



Ensure the table is steady and balanced before use. You're done, enjoy!