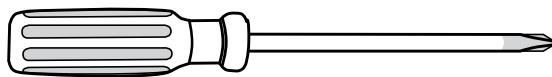
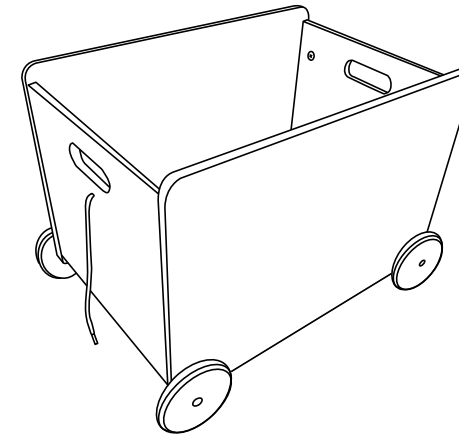
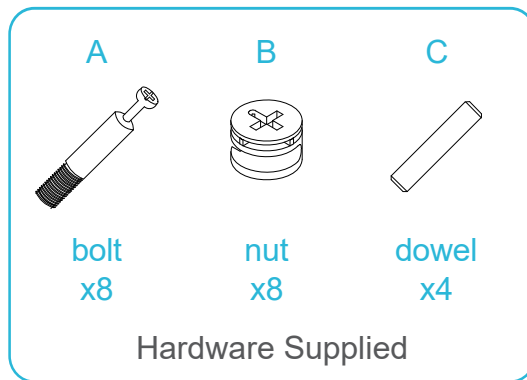


Mod Toy Cart

Assembly Instructions

Thank you for your purchase.
Please follow the instructions below for correct assembly.

mocka



Phillips screwdriver required.

For quicker assembly, we recommend the use of a power drill on a low-speed setting.

WARNING: Due to the small size of the hardware and the sharp points of the screws, they are potentially hazardous.

Keep all assembly parts and packaging materials out of reach of children

Retain packaging information for future reference

Adult assembly required

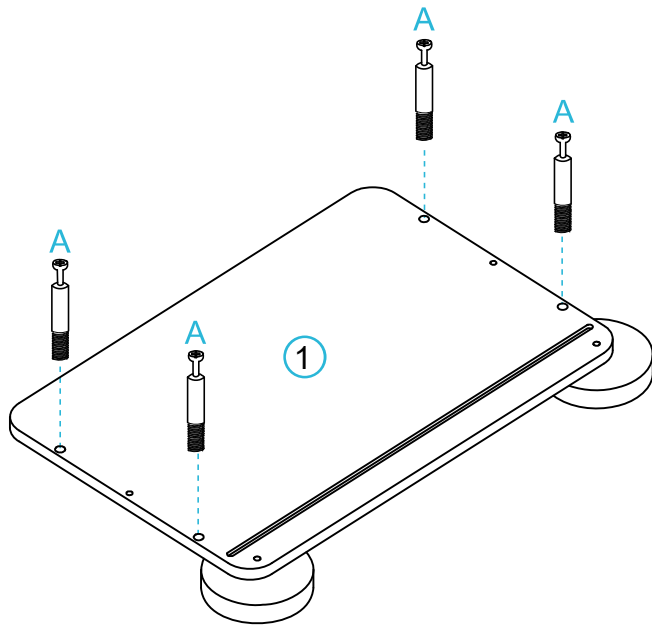
Recommended age 18 months +

Mod Toy Cart

Assembly Instructions

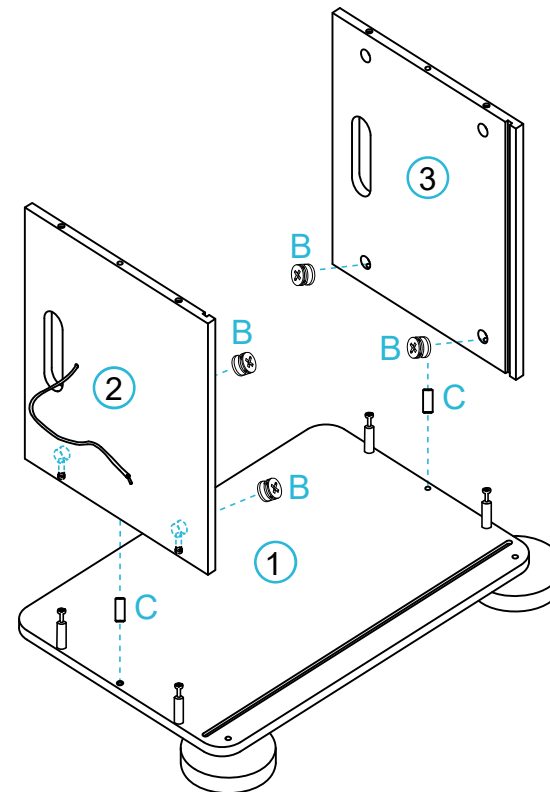
mocka

1 x 2



Insert 4 x bolts (A) into panel [1] and tighten with a screwdriver. Repeat step for opposite side.

2



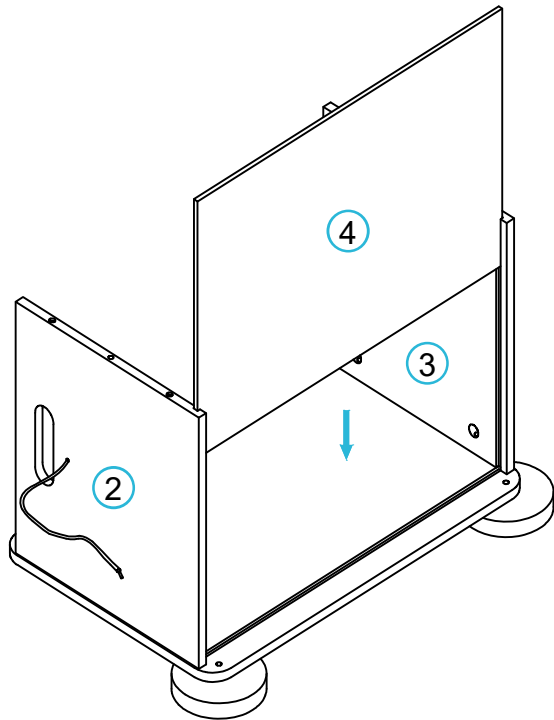
Insert 2 x dowels (C) into panel [1]. Attach panels [2] and [3] to panel [1] and secure with 4 x nuts (B). Tighten with a screwdriver.

Mod Toy Cart

Assembly Instructions

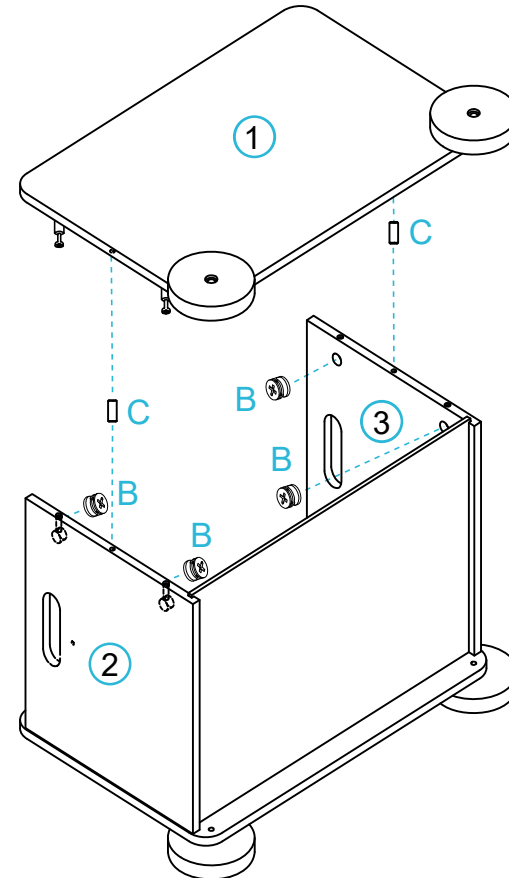
mocka

3



Slide panel [4] between panels [2] and [3] as shown.

4



Insert 2 x dowels (C) into panel [1]. Attach panel [1] to panels [2] and [3] and secure with 4 x nuts (B). Tighten with a screwdriver. You're done, enjoy!