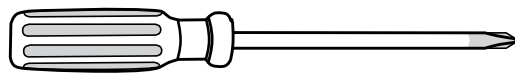
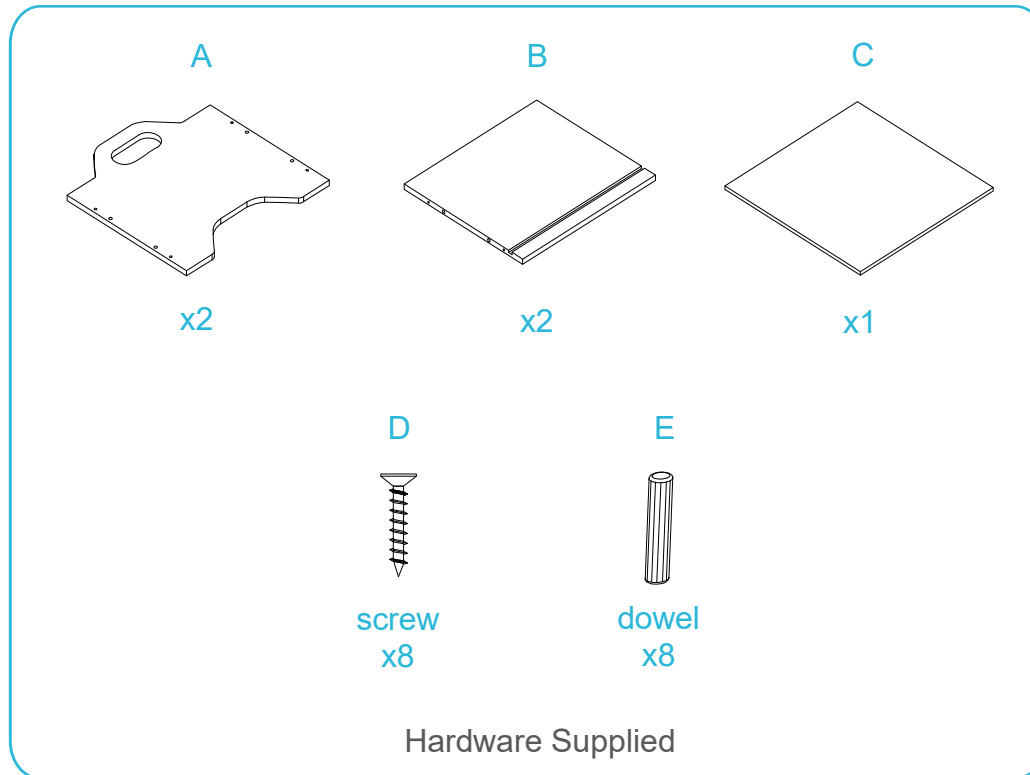


Mod Stacking Boxes

Assembly Instructions

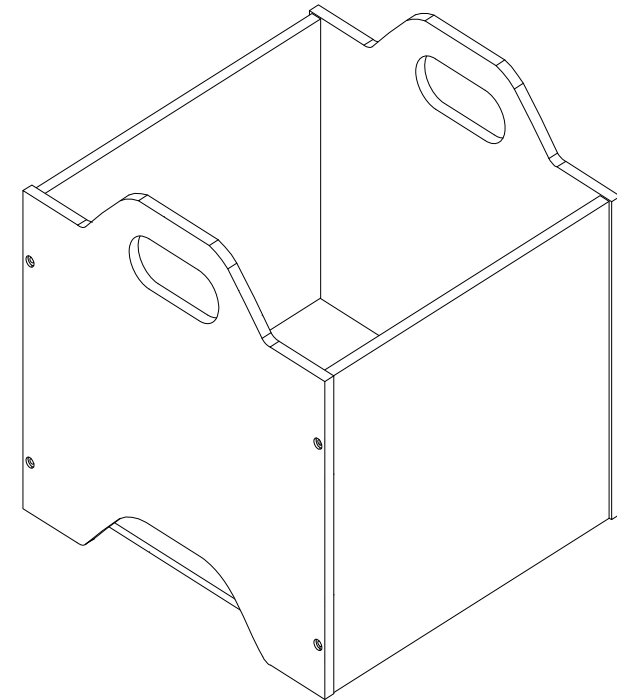
Thank you for your purchase.
Please follow the instructions below for correct assembly.

mocka



Phillips screwdriver required

For quicker assembly, we recommend the use of a power drill on a low-speed setting.



WARNING: Due to the small size of the hardware and the sharp points of the screws, they are potentially hazardous.

Keep all assembly parts and packaging materials out of reach of children

Adult assembly required

Retain packaging information for future reference

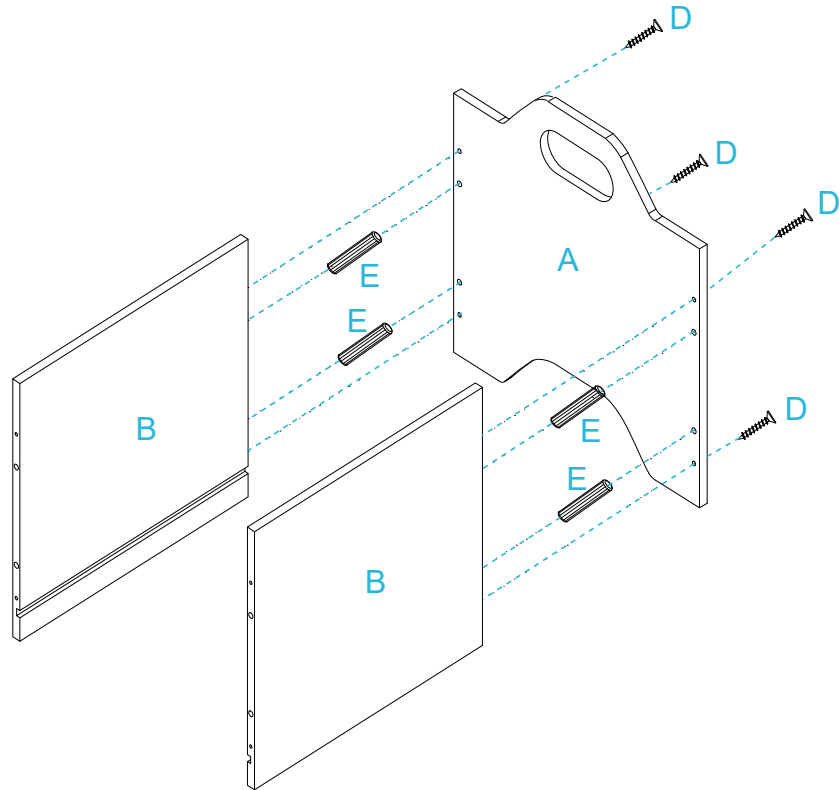
Recommended age 36 months +

Mod Stacking Boxes

Assembly Instructions

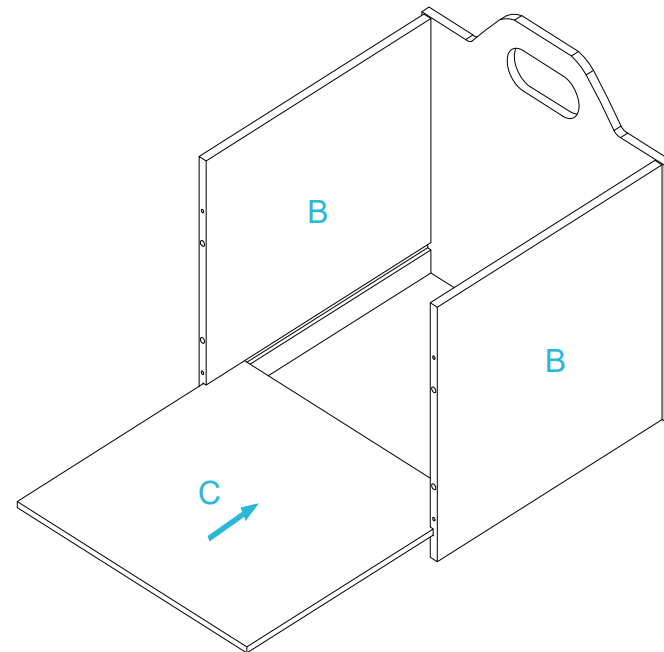
mocka

1



Attach 2x panels (B) to 1x panel (A) using 4x dowels (E) and secure with 4x screws (D) as shown. Tighten with a screwdriver.

2



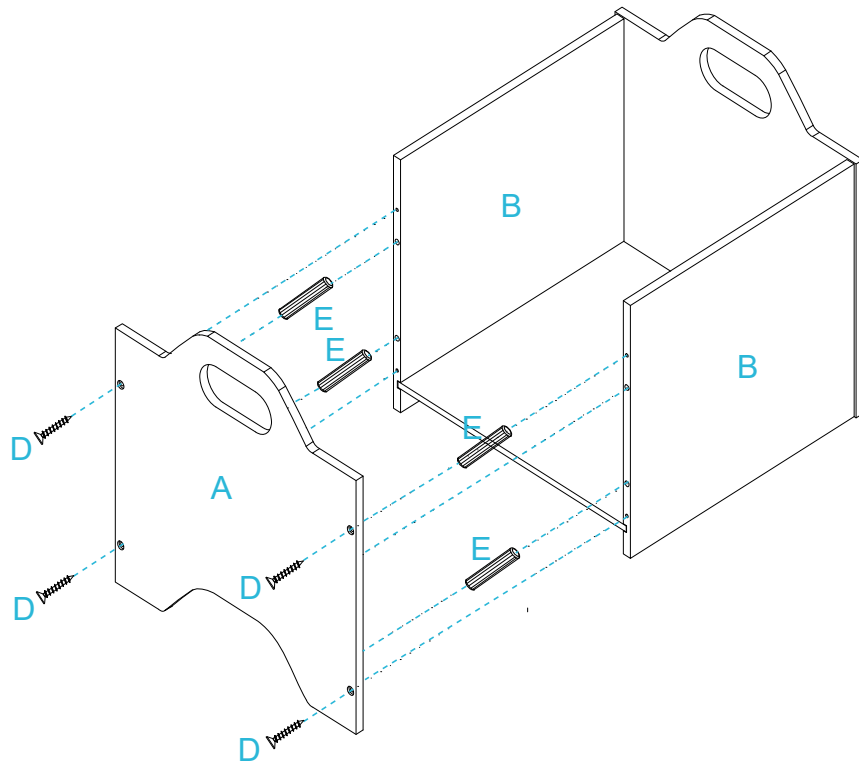
Slide panel (C) along the grooves between panels (B).

Mod Stacking Boxes

Assembly Instructions

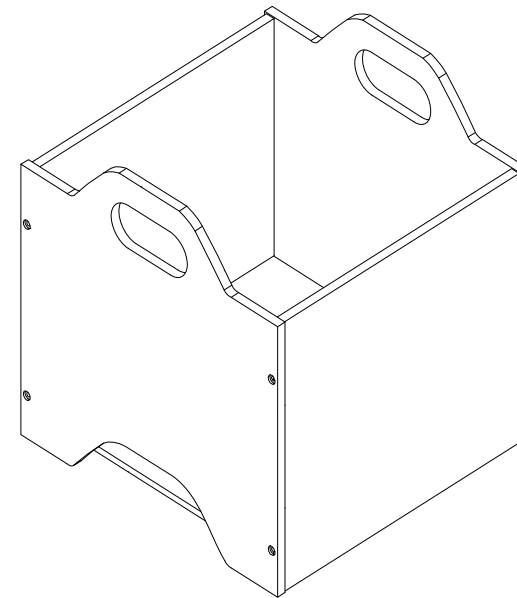
mocka

3



Attach 1x panel (A) to 2x panels (B) using 4x dowels (E) and secure with 4x screws (D). Tighten with a screwdriver.

4



You're done, enjoy!