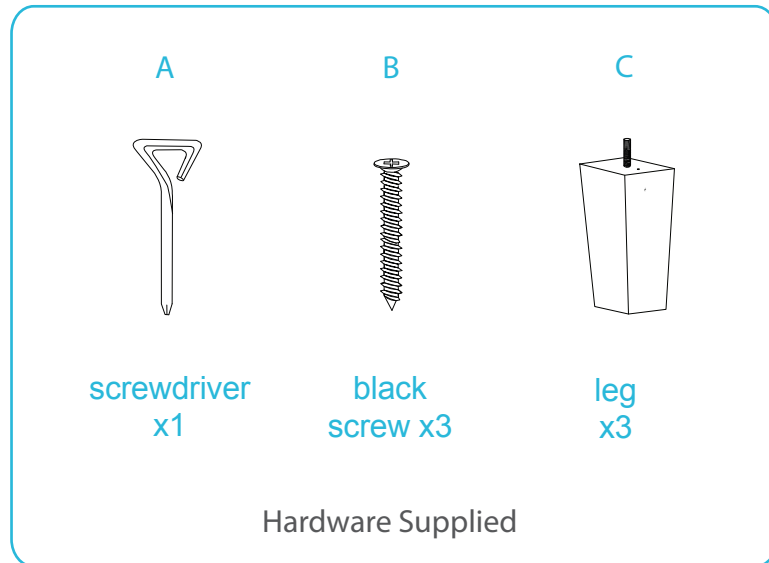


Mod Headboard

Assembly Instructions

Thank you for your purchase.
Please follow the instructions below for correct assembly.

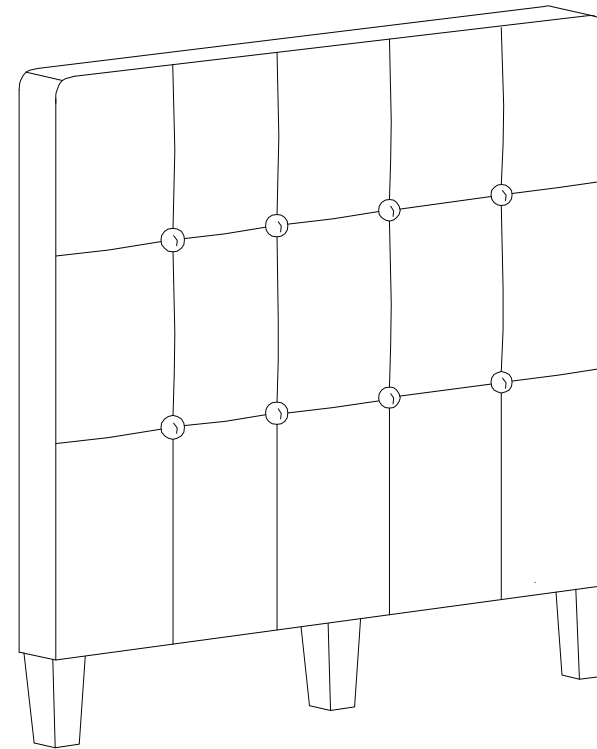
mocka



CAUTION:

Please avoid using sharp objects such as a knife to cut open the packaging as you may accidentally damage the upholstery.

At least two adults are required to safely complete performing this task. Other lifting attempts may risk back injury due to large and heavy part(s).

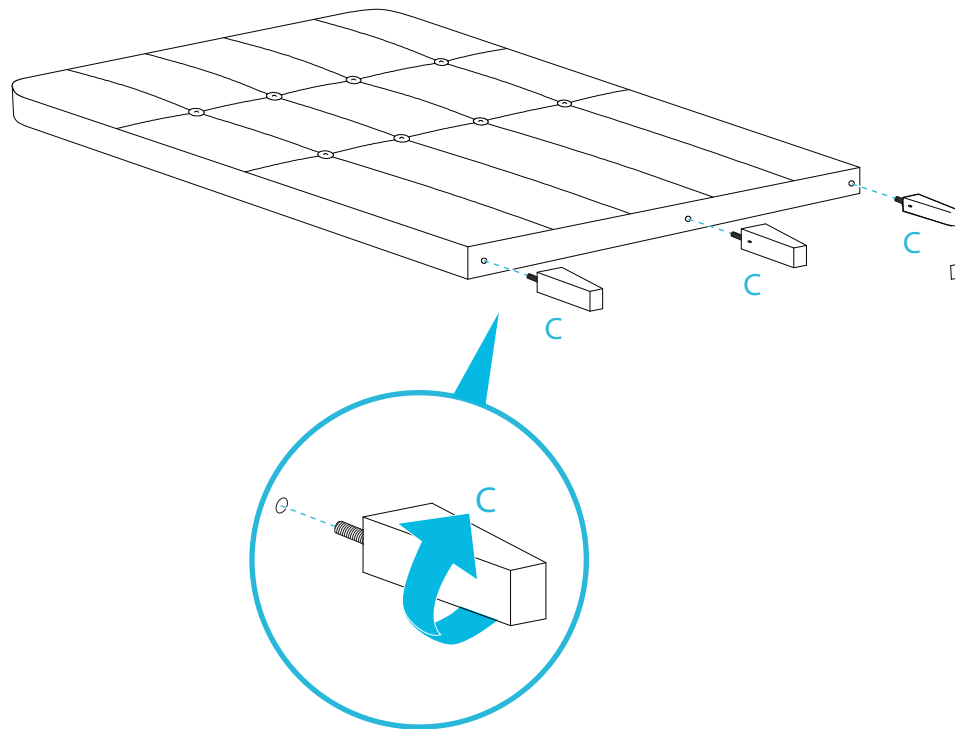


Mod Headboard

Assembly Instructions

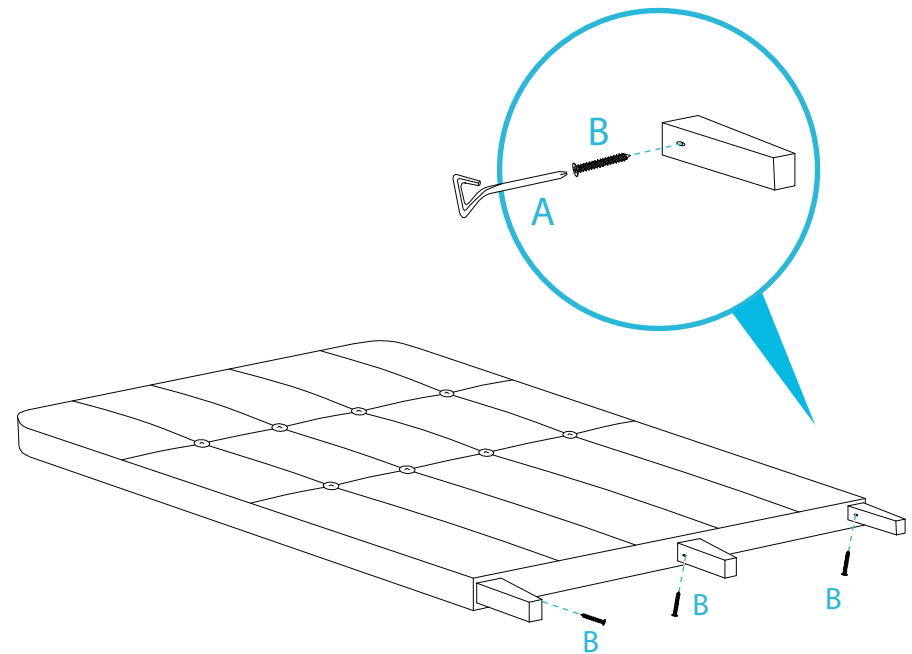
mocka

1



Carefully place headboard on a clean flat surface as shown. Align the 3x three legs (C) onto pre-drilled holes and secure to the headboard base by hand and avoid overtightening.

2



Align 3x wood screws (B) to the pre-drilled holes on the legs, secure wood screws to the legs with provided screw driver (A). You're done, enjoy!