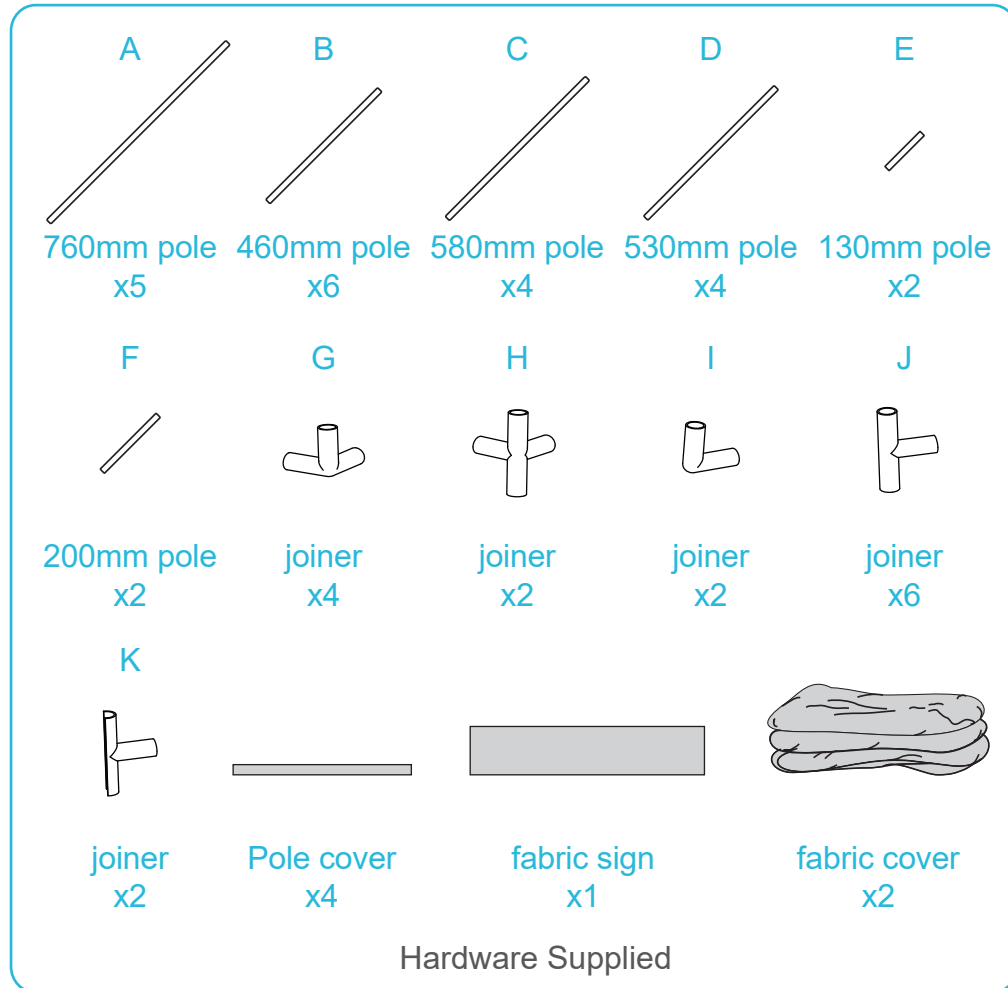


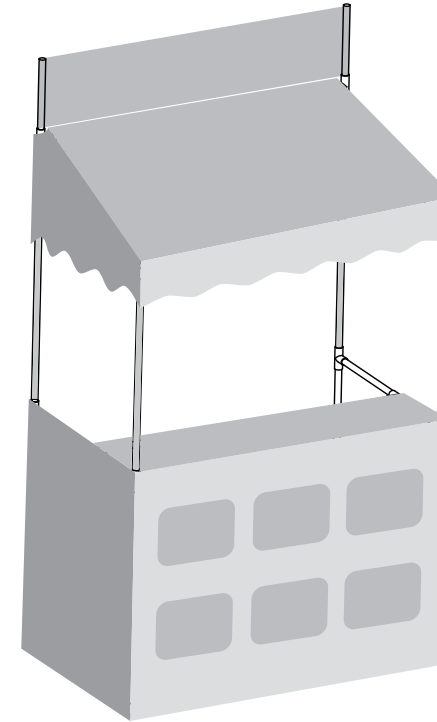
Mocka Recycling Centre

Assembly Instructions

Thank you for your purchase.
Please follow the instructions below for correct assembly.



mocka



WARNING: Due to the small size of the hardware and the sharp points of the screws, they are potentially hazardous.

Keep all assembly parts and packaging materials out of reach of children.

Retain packaging information for future reference.

Adult assembly required.

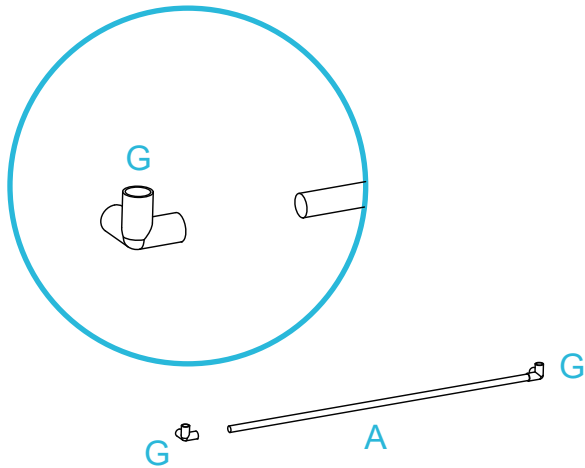
Age recommendation 12 months +

Mocka Recycling Centre

Assembly Instructions

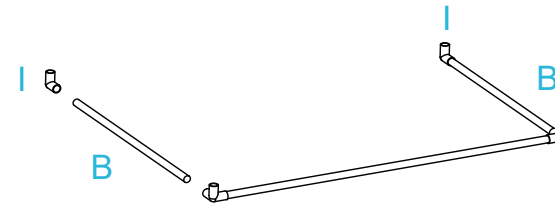
mocka

1



Attach 1 x pole (A) to 2 x joiner (G) as shown.

2



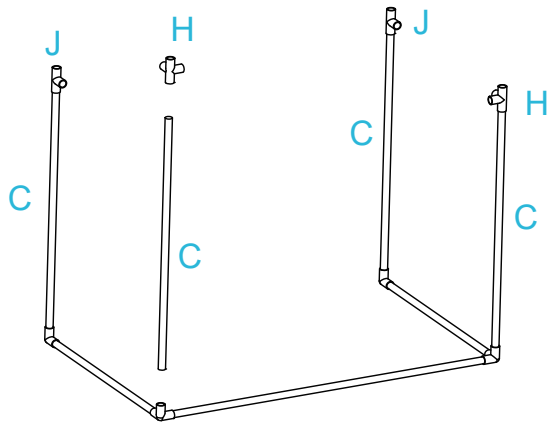
Attach 2 x joiner (I) and 2 x pole (B) to assembled frame as shown.

Mocka Recycling Centre

Assembly Instructions

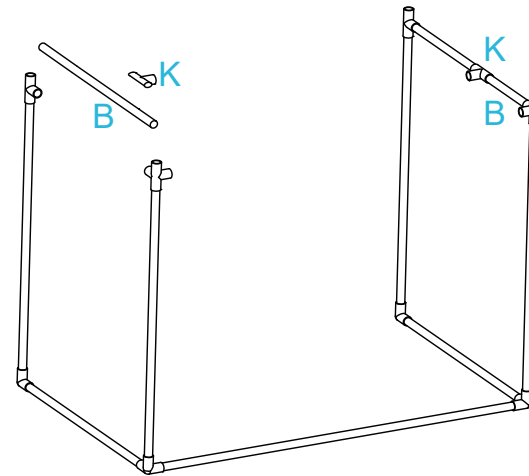
mocka

3



Attach 4 x poles (C), 2 x joiner (J) and 2 x joiner (H) to assembled frame as shown.

4



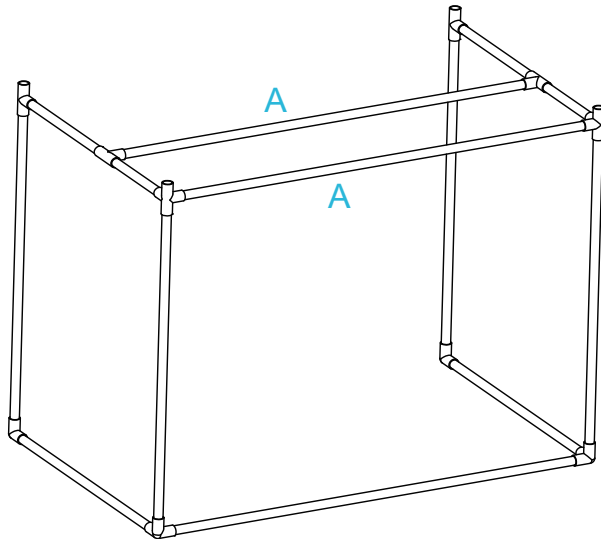
Attach 2 x poles (B) and 2 x joiner (K) to assembled frame as shown.

Mocka Recycling Centre

Assembly Instructions

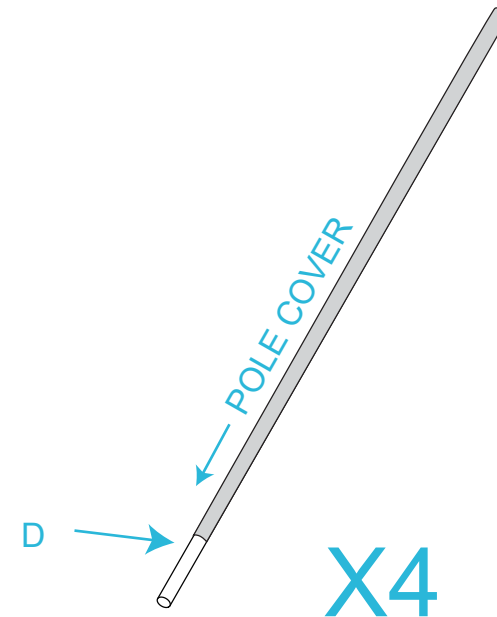
mocka

5



Attach 2 x pole (A) to assembled frame as shown.

6



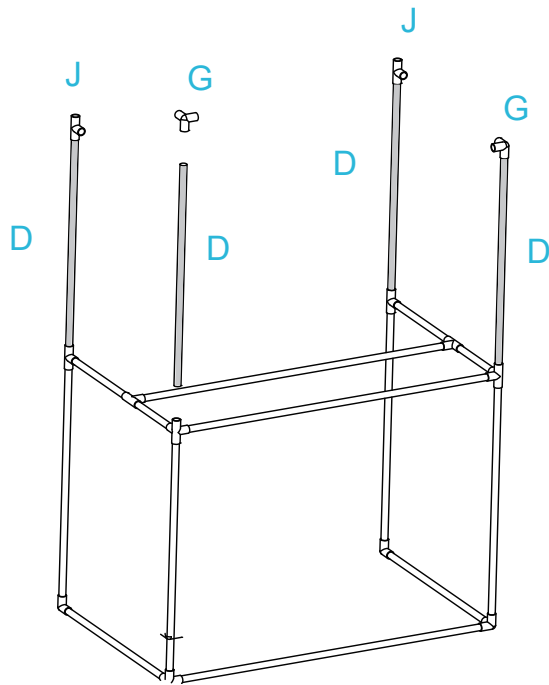
Slide 4 x pole cover over 4 x pole (D) as shown.

Mocka Recycling Centre

Assembly Instructions

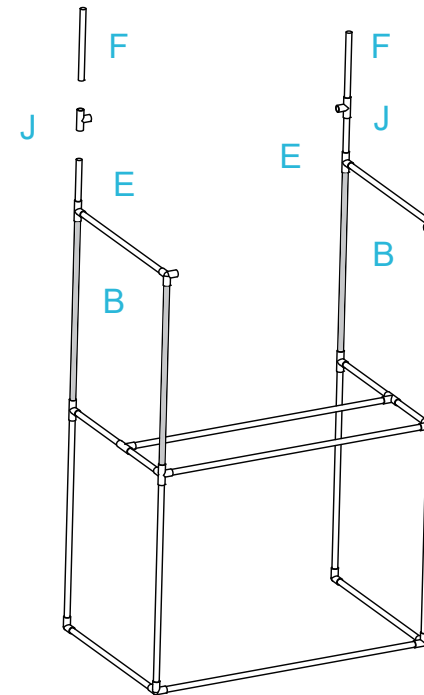
mocka

7



Attach 4 x poles (D), 2 x joiner (J) and 2 x joiner (G) to assembled frame as shown.

8



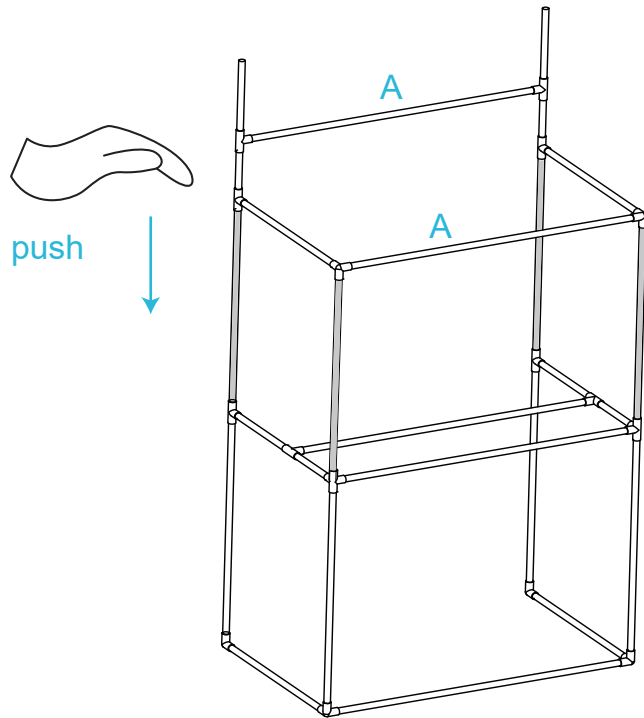
Attach 2 x poles (B), 2 x poles (E), 2 x joiners (J) and 2 x poles (F) to assembled frame as shown.

Mocka Recycling Centre

Assembly Instructions

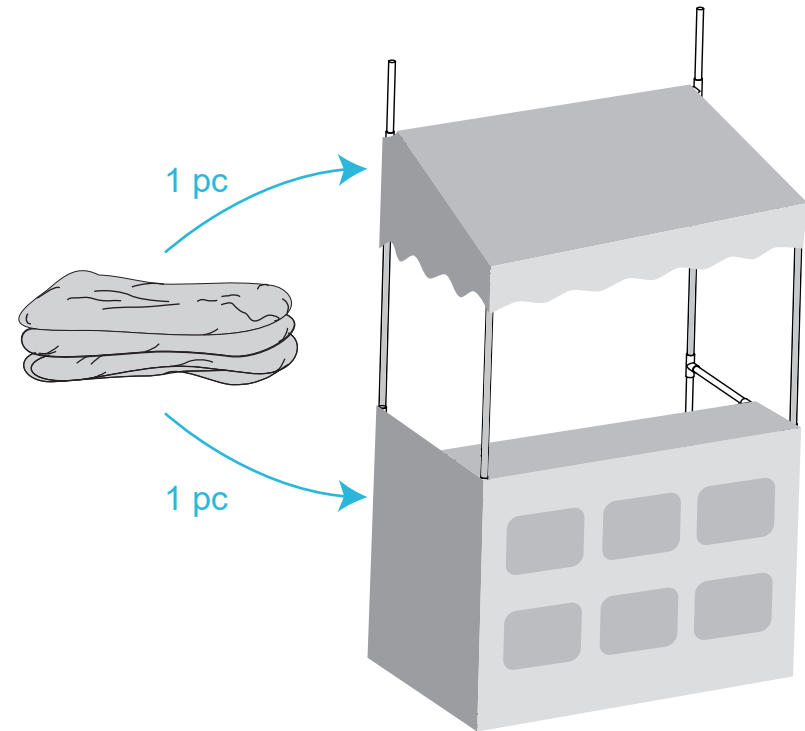
mocka

9



Attach 2 x poles (A) to assembled frame and push frame down as shown.

10



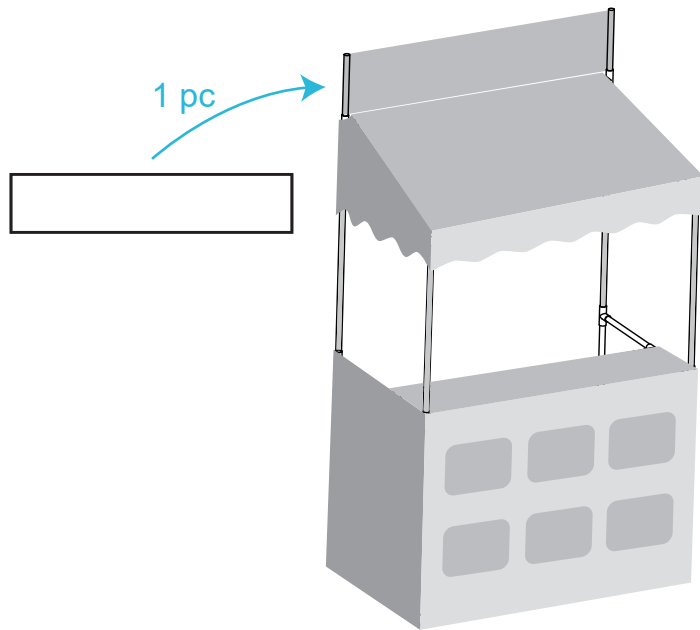
Attach 2 x fabric covers to assembled frame as shown.

Mocka Recycling Centre

Assembly Instructions

mocka

11



Attach 1 x fabric sign to assembled frame as shown. Lift the furniture into the desired location, do not drag, You're done, enjoy!