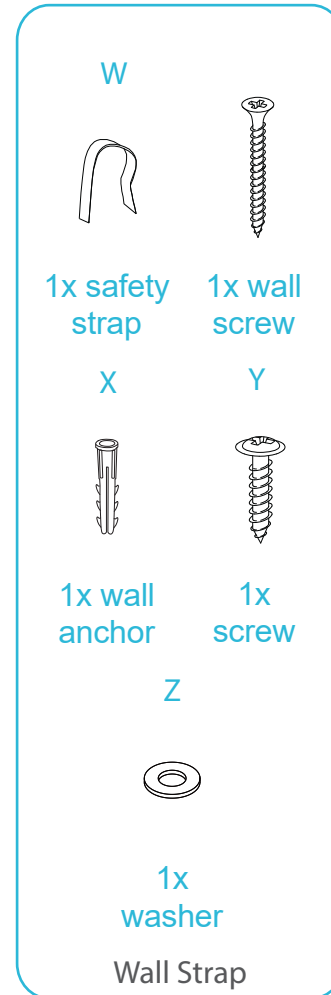
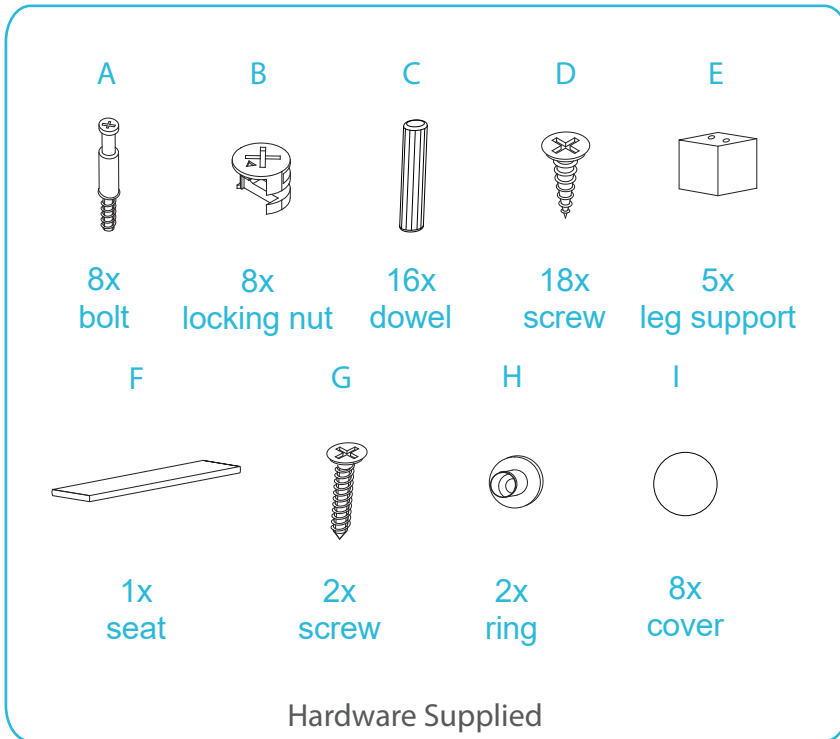


# Mocka Essentials Storage Seat

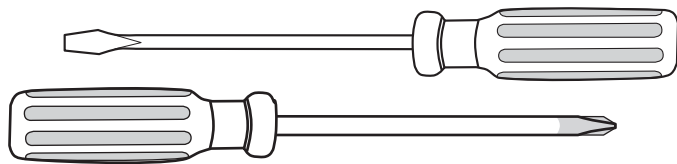
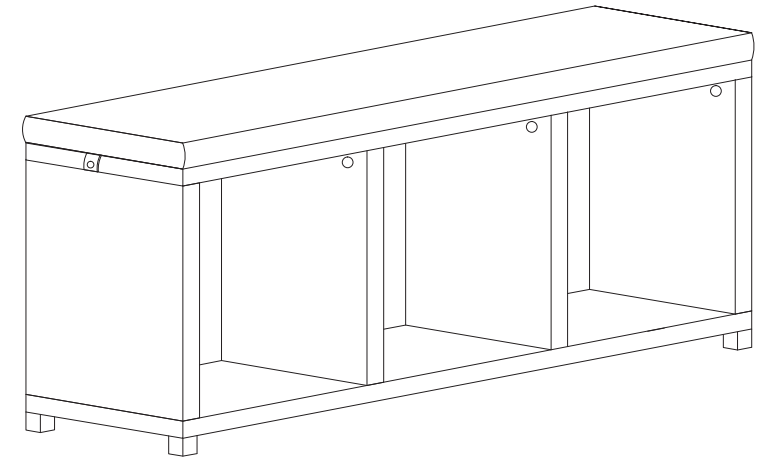
## Assembly Instructions

# mocka

Thank you for your purchase.  
Please follow the instructions below for correct assembly.



**WARNING:** Any furniture that is not anchored to a wall has the potential to tip over in certain circumstances, i.e. if a child attempts to climb up on the furniture or in the event of an earthquake. Accordingly, we recommend that all furniture is anchored to a wall. We supply a free safety wall anchor with all furniture sold and we recommend these are used to prevent your product tipping. The fixing device provided should fit most wall types, but please note that different wall materials may require different fixing devices from those supplied.



Phillips & Flathead screwdrivers required  
For quicker assembly, we recommend the use of a power drill on a low-speed setting.

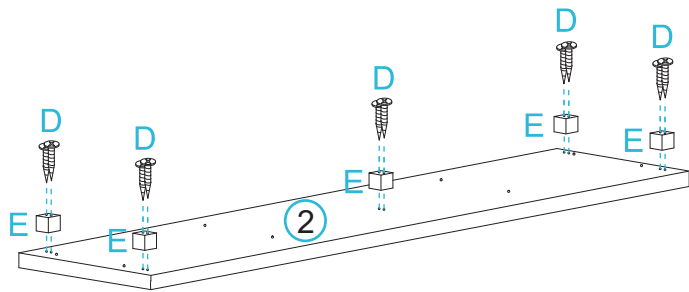
\*We recommend using a Flathead screwdriver to tighten all locking nuts 100% before first use. Please clear any loose wood from the locking nut holes before inserting the nut to ensure it locks 100%.

# Mocka Essentials Storage Seat

## Assembly Instructions

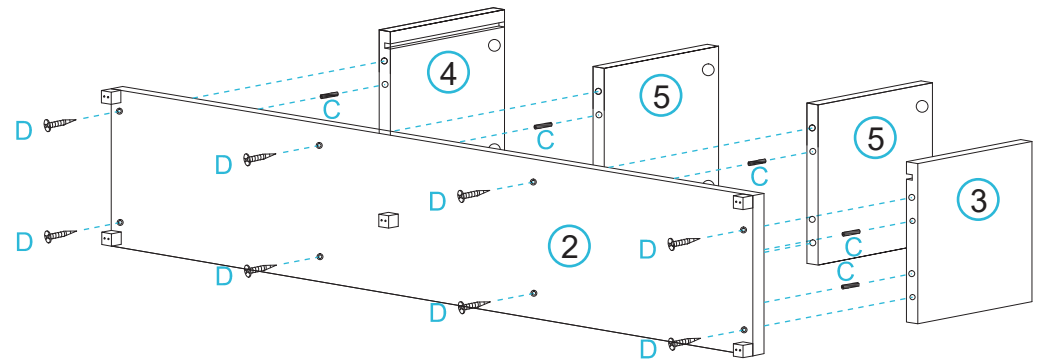
mocka

1



Attach 5x leg support (E) to panel [2] with 10x screw (D).  
Tighten all screws with a screwdriver.

2



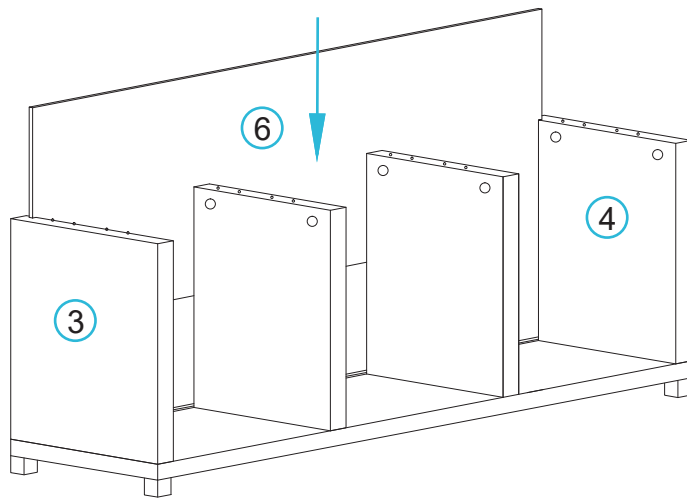
Insert 8x dowel (C) into panels [3], [4] and 2x [5].  
Attach panels [3], [4] and 2x [5] to panel [2] with 8x screws (D).  
Tighten all screws with a screwdriver.

# Mocka Essentials Storage Seat

## Assembly Instructions

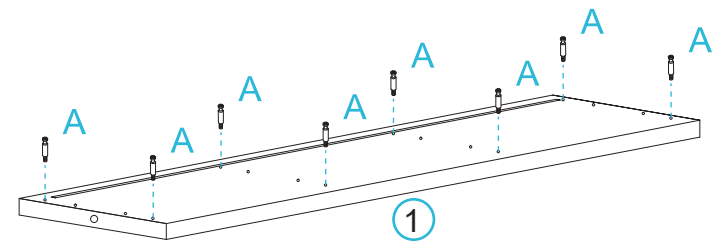
mocka

3



Insert panel [6] into the back of panels [3] and [4].

4



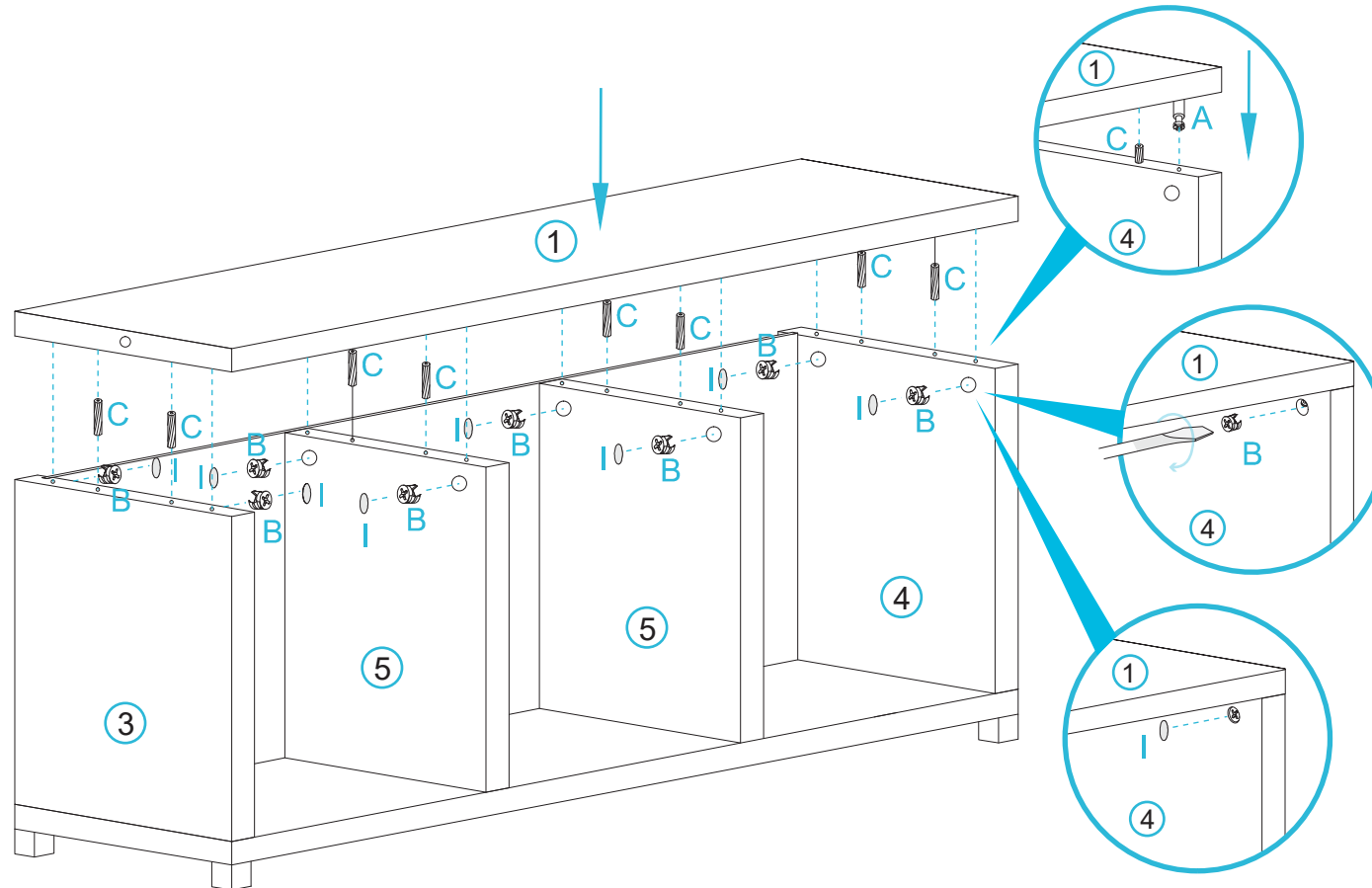
Attach 8x bolt (A) to panel [1].  
Tighten all bolts with a screwdriver.

# Mocka Essentials Storage Seat

## Assembly Instructions

mocka

5



Insert 8x dowel (C) into panels [3], [4] and 2x [5].

Attach panel [1] to panels [3], [4] and 2x [5] with 8x locking nut (B) and tighten with a screwdriver.

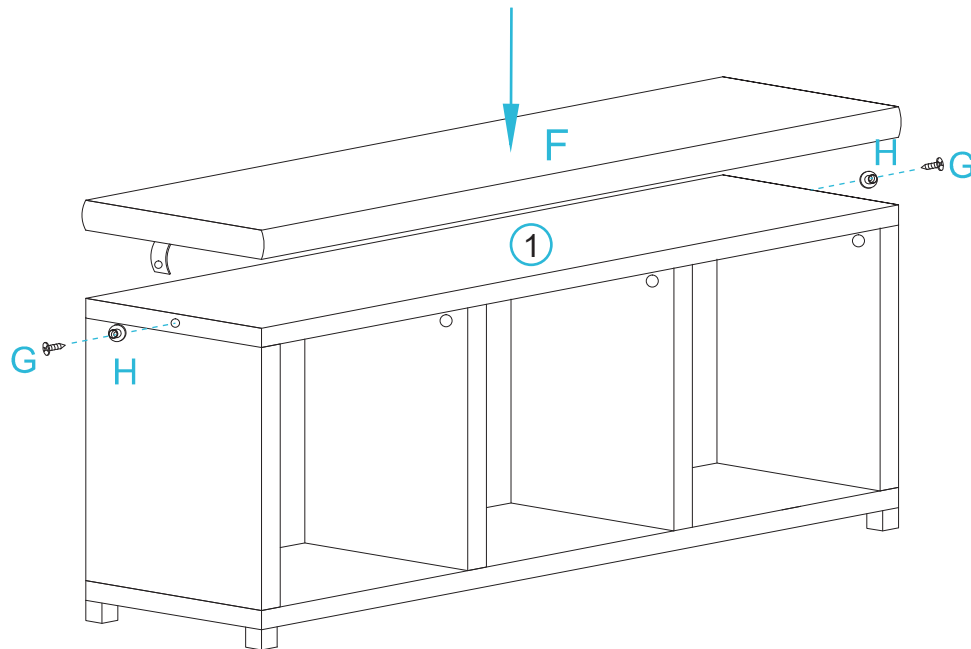
Place 8x cover (I) over 8x locking nut (B).

# Mocka Essentials Storage Seat

## Assembly Instructions

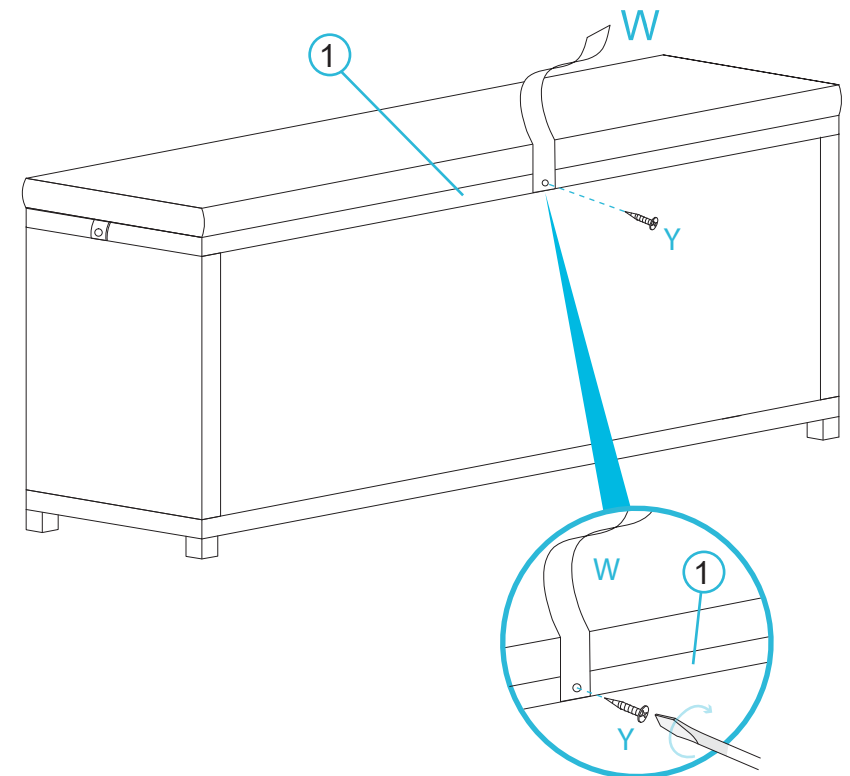
mocka

6



Place 2x ring (H) over 2x screw (G) and attach to panel [1].  
Place 1x seat (F) onto panel [1] as shown and clip the tabs into place over rings (H)  
Tighten all screws with a screwdriver.

7



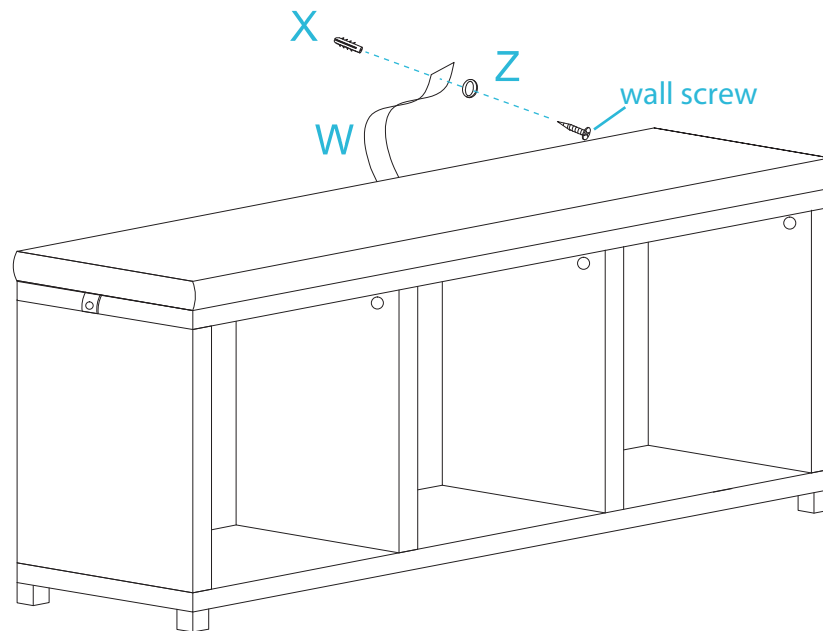
Attach 1x safety strap (W) to the back of panel [1] with 1x screw (Y) and tighten with a screwdriver.

# Mocka Essentials Storage Seat

## Assembly Instructions

mocka

8



Once assembled lift furniture into place, do not drag. Use a drill to create a small hole lining up with the top of the safety strap (W). Fasten to wall using 1x wall anchor (X), 1x washer (Z) and 1x wall screw. Ensure unit is balanced and steady before use. You're done, enjoy!