
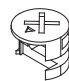



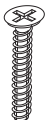




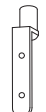


Mocka Essentials Small Bookcase

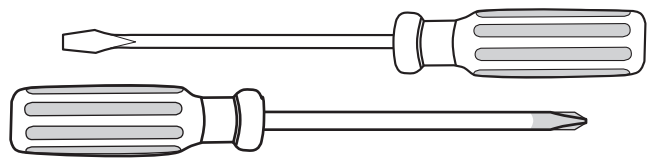
Assembly Instructions

mocka


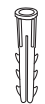
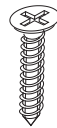

Thank you for your purchase.
Please follow the instructions below for correct assembly.

A  bolt x18	B  locking nut x18	C  dowel x16	D  washer set x2	E  screw x4	
F  screw x8	G  screw x8	H  stopper x2	I  screw x10	J  wedge x10	K  hinge x4

Hardware Supplied

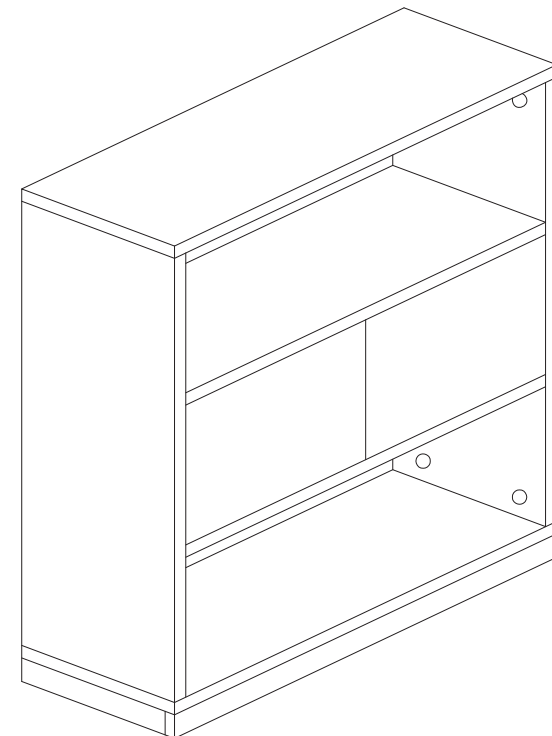


Phillips & Flathead screwdrivers required

W  safety strap x2	X  wall anchor x2
Y  r/washer screw x2	Z  washer x2

Wall Strap

WARNING: Any furniture that is not anchored to a wall has the potential to tip over in certain circumstances, i.e. if a child attempts to climb up on the furniture or in the event of an earthquake. Accordingly, we recommend that all furniture is anchored to a wall. We supply a free safety wall anchor with all furniture sold and we recommend these are used to prevent your product tipping. The fixing device provided should fit most wall types, but please note that different wall materials may require different fixing devices from those supplied.

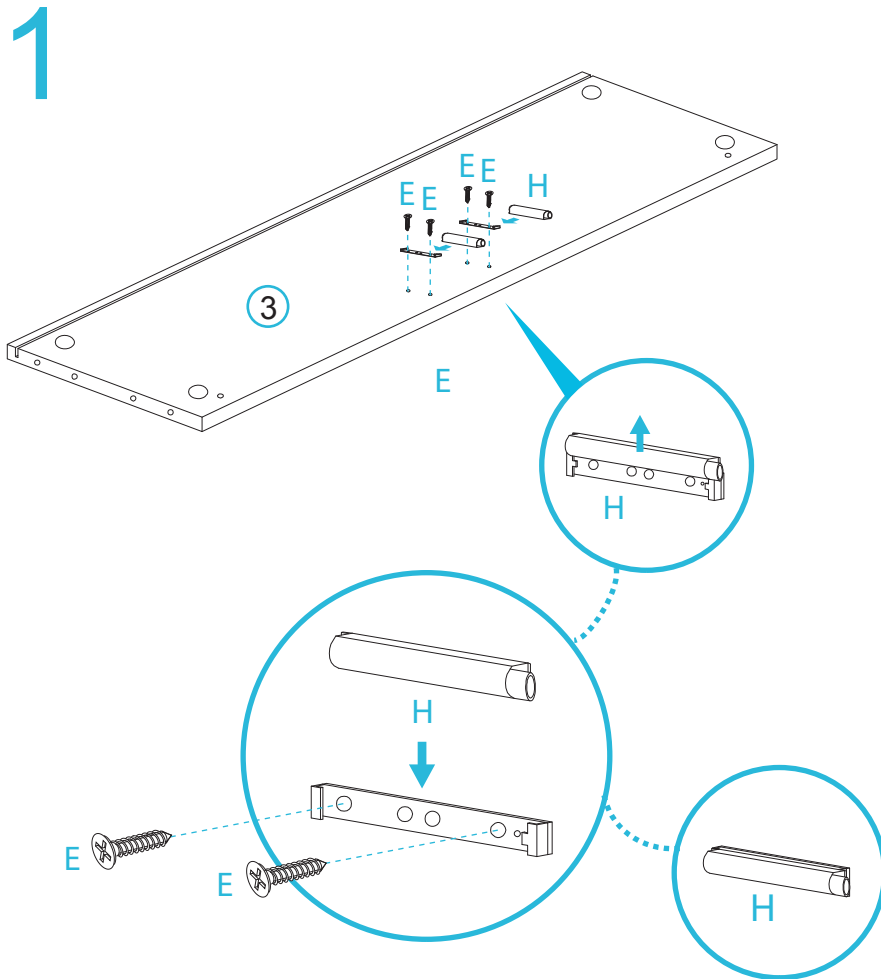


*We recommend using a Flathead screwdriver to tighten all locking nuts 100% before first use.
Please clear any loose wood from the locking nut holes before inserting the nut to ensure it locks 100%.

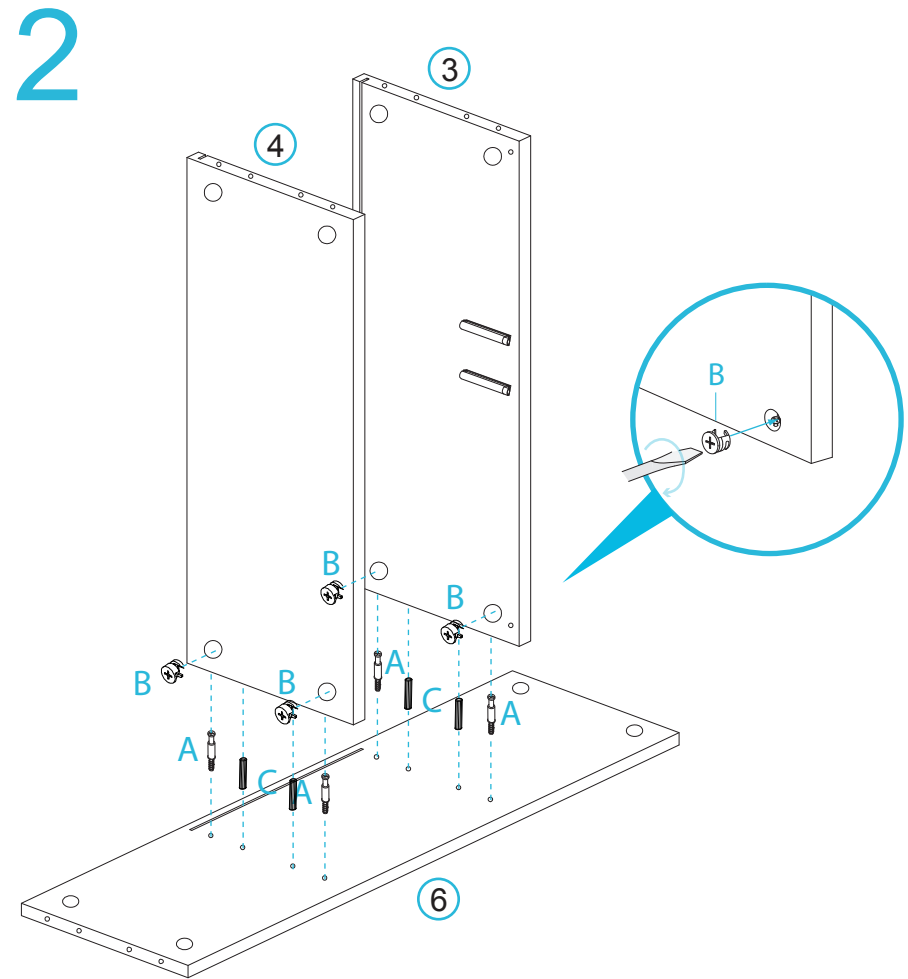
Mocka Essentials Small Bookcase

Assembly Instructions

mocka



Separate the 2x stoppers (H) as shown and attach the bracket parts to panel [3] using 4x screws (E). Tighten with a screwdriver. Cover each bracket with the clip parts. Tighten with a screwdriver.



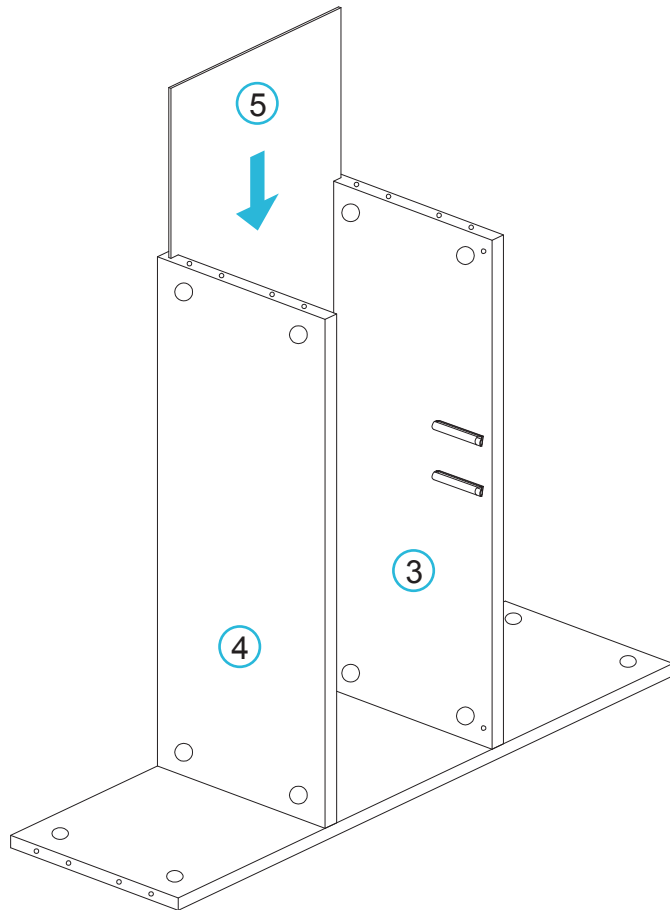
Attach panel [3] and [4] to panel [6] using 4x dowels (C), 4x bolts (A) and secure with 4x locking nuts (B). Tighten with a screwdriver.

Mocka Essentials Small Bookcase

Assembly Instructions

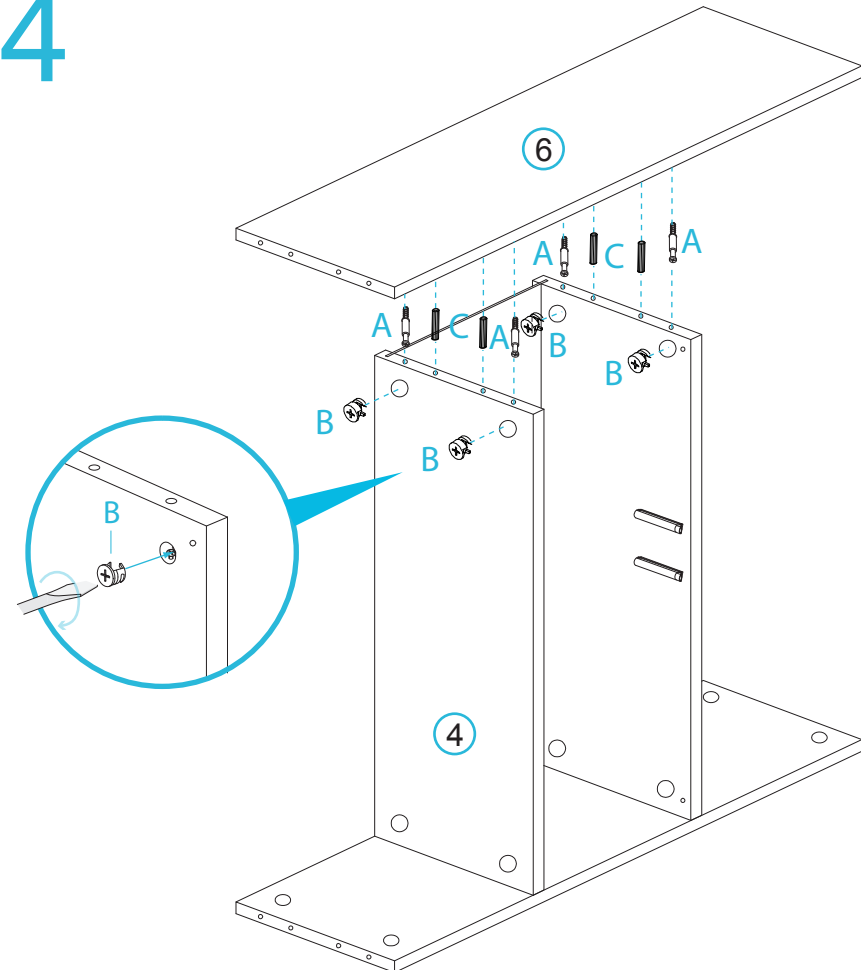
mocka

3



Slide panel [5] down along the grooves between panels [3] and [4].

4



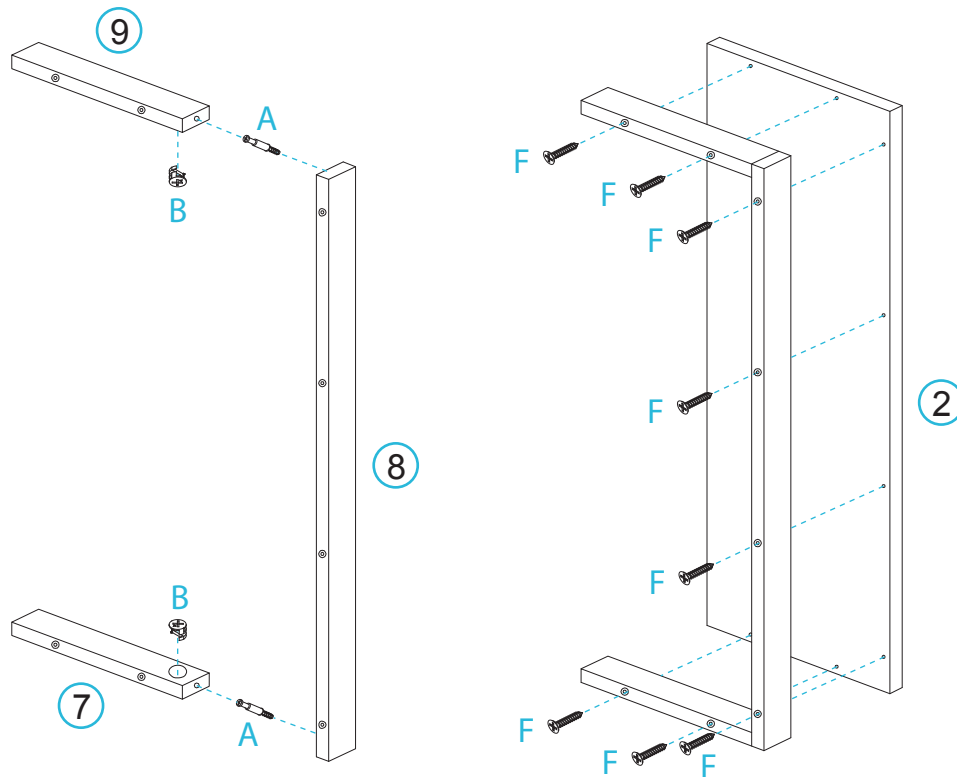
Attach panel [6] to panels [3] and [4] using 4x dowels (C), 4x bolts (A) and secure with 4x locking nuts (B). Tighten with a screwdriver.

Mocka Essentials Small Bookcase

Assembly Instructions

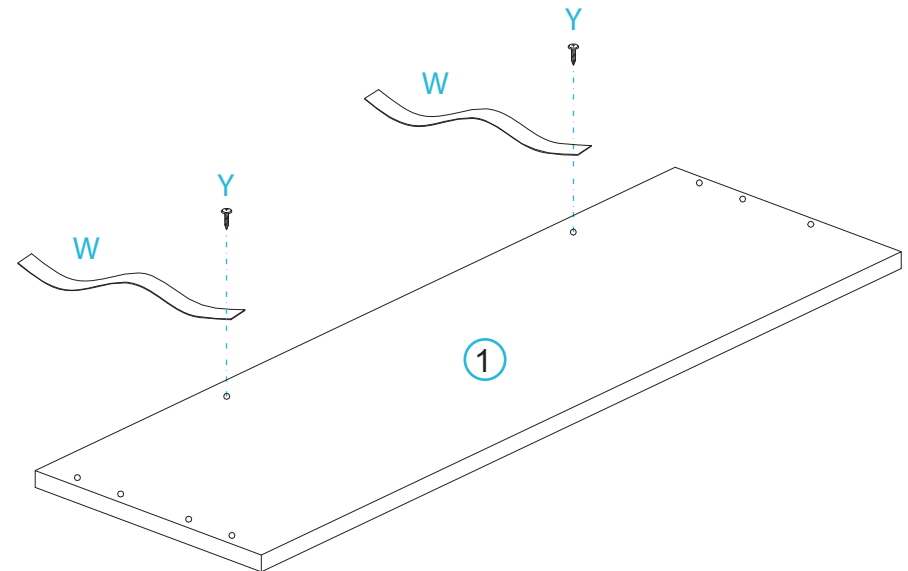
mocka

5



Attach panel [8] to panels [7] and [9] using 2x bolts (A) and secure with 2x locking nuts (B). Now attach panels [7], [8] and [9] to panel [2] as shown, using 8x screws (F). Tighten with a screwdriver.

6

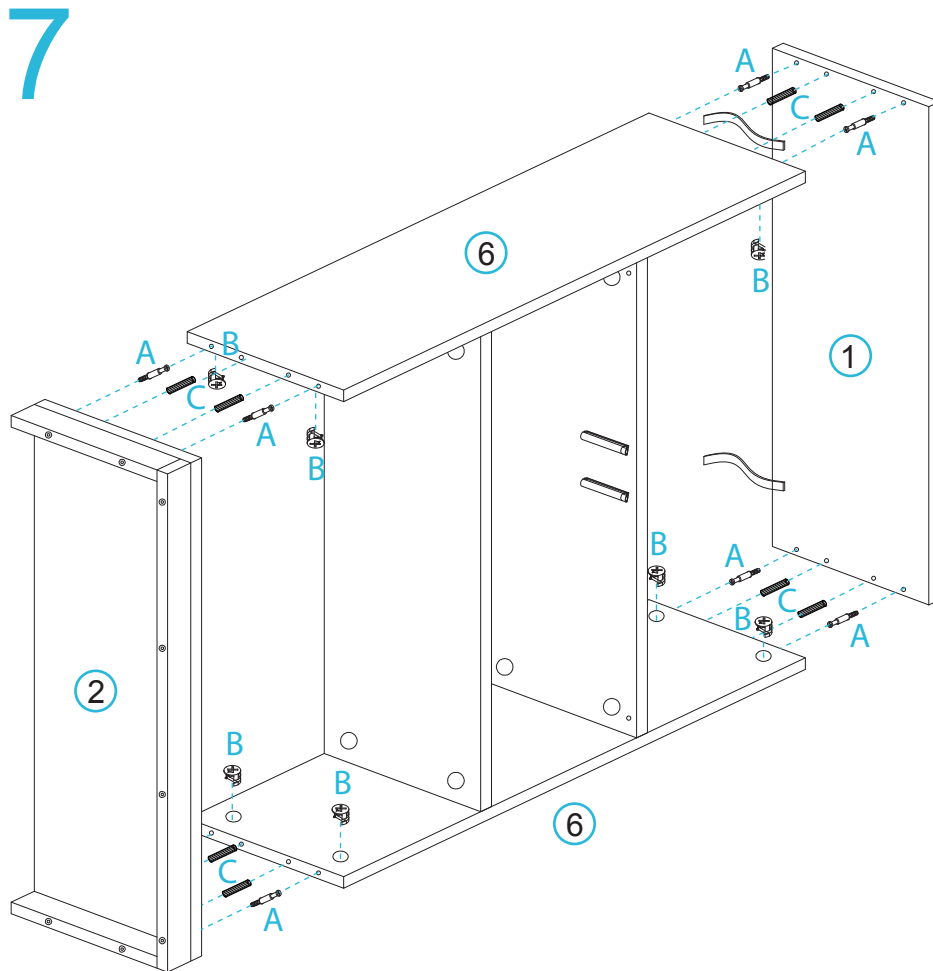


Attach 2x safety straps (W) to panel [1] using 2x r/washer screws (Y). Tighten with a screwdriver.

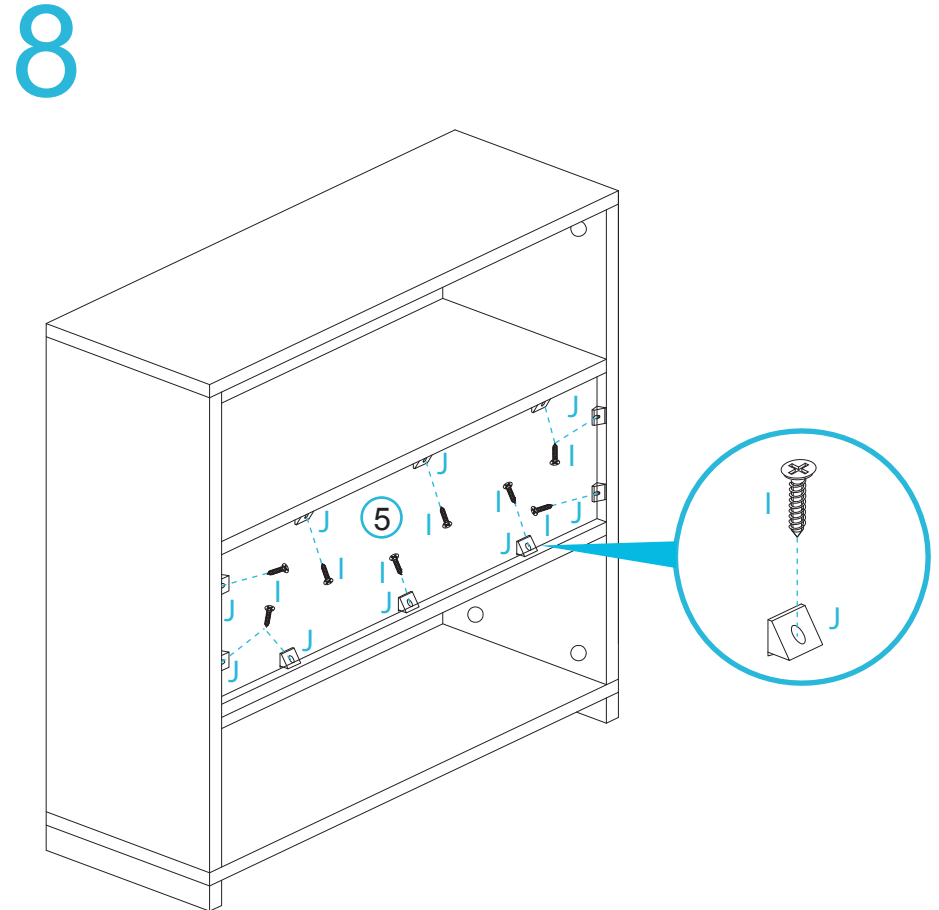
Mocka Essentials Small Bookcase

Assembly Instructions

mocka



Attach panel [1] to panels [6] using 4x dowels (C), 4x bolts (A) and secure with 4x locking nuts (B). Attach panel [2] to panels [6] using 4x dowels (C), 4x bolts (A) and secure with 4x locking nuts (B). Tighten with a screwdriver.



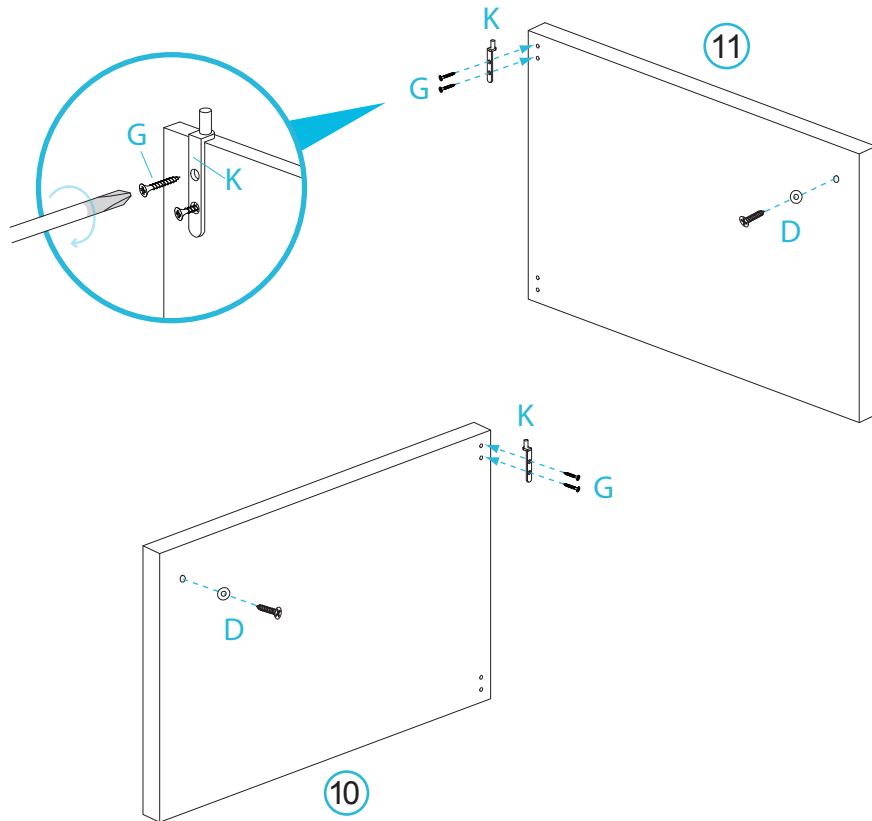
Attach 10x wedges (J) to panel [5] using 10x screws (I) as shown. Tighten with a screwdriver.

Mocka Essentials Small Bookcase

Assembly Instructions

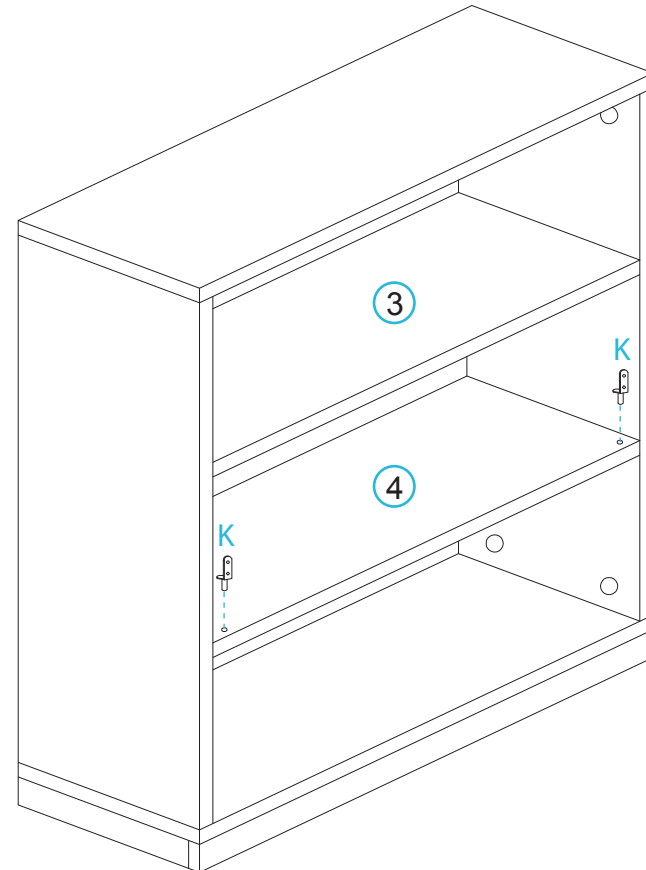
mocka

9 Cupboard Doors



Attach 1x hinge (K) to each door panel [10] and [11] and secure with 2x screws (G). Attach 1x washer set (D) to each door and tighten with a screwdriver.

10



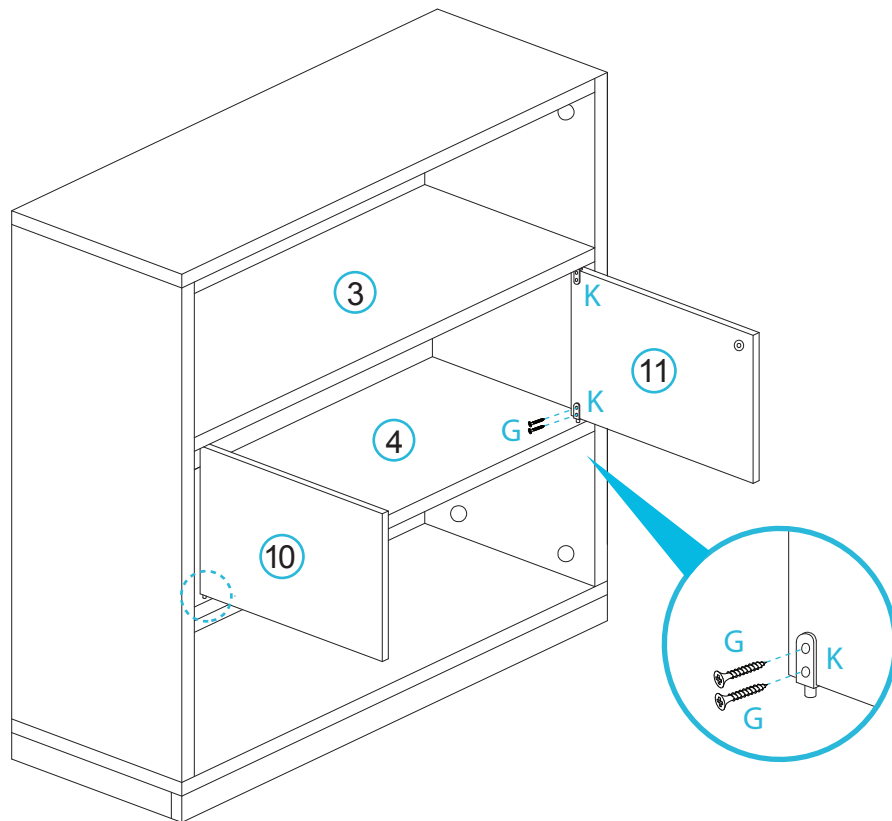
Insert 2x hinges (K) into shelf panel [4].

Mocka Essentials Small Bookcase

Assembly Instructions

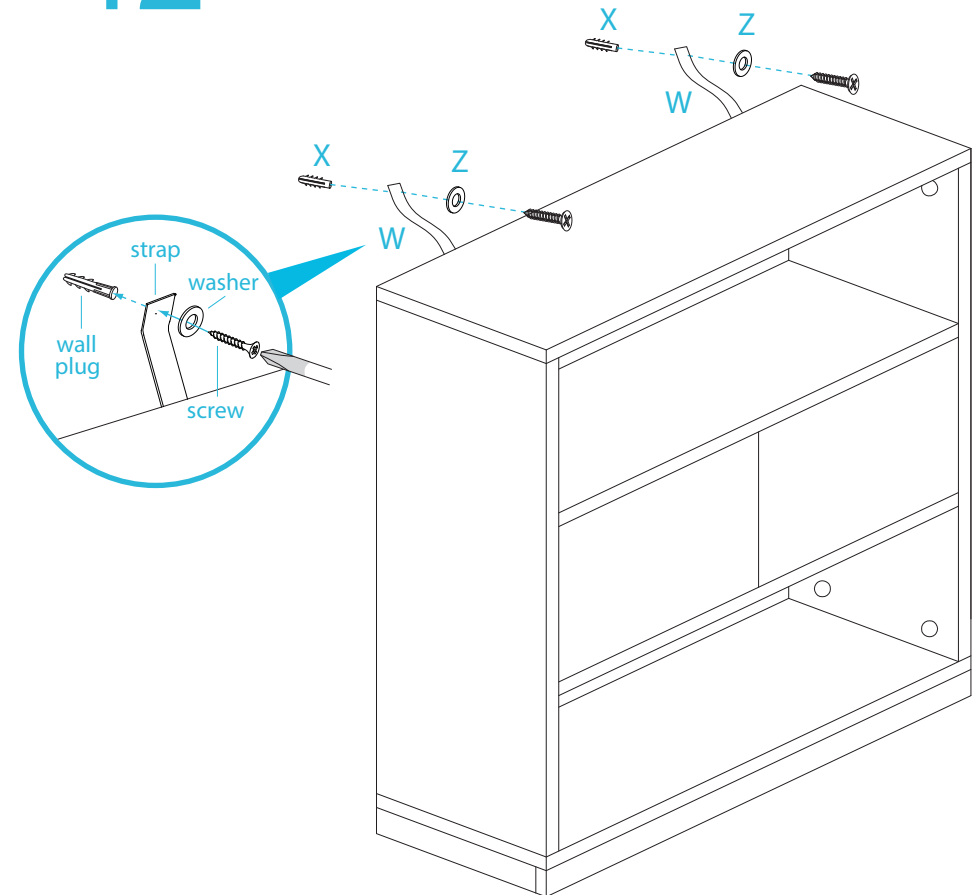
mocka

11



Slip the doors [10] and [11] into place on the upper hinges (K). Attach the lower hinges (K) to the doors using 4x screws (G). Tighten with a screwdriver.

12



Once assembled lift furniture into place, do not drag. Use a drill to create a small hole lining up with the top of the safety strap (W). Fasten to wall using 2x wall plugs (X), 2x washers (Z) and 2x screws (not supplied). Ensure the unit is balanced and steady before use. You're done, enjoy!