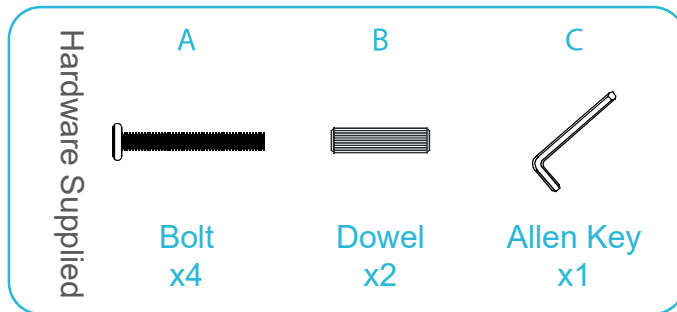


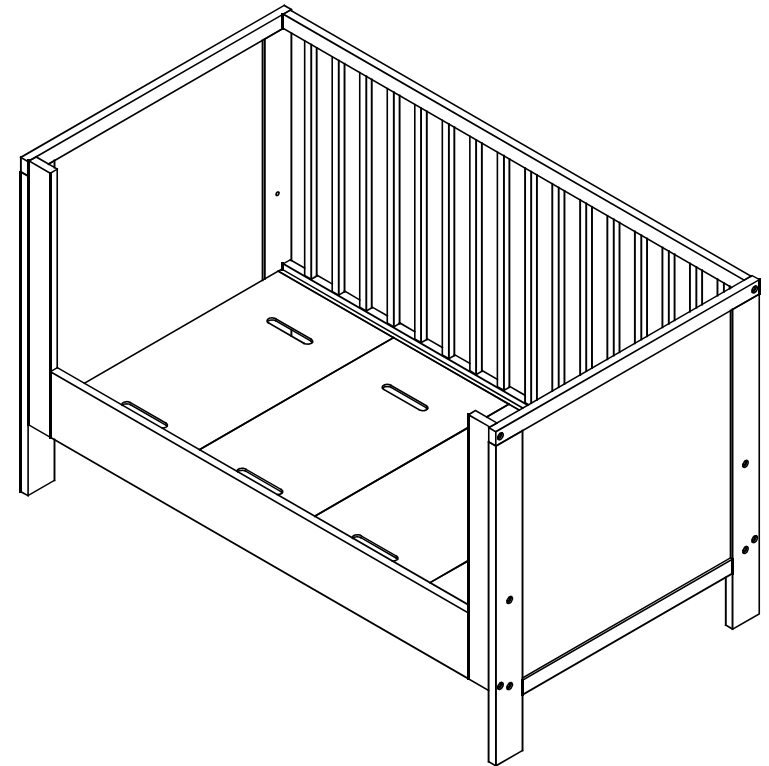
# Mocka Cot Toddler Bed Conversion

## Assembly Instructions

Thank you for your purchase.  
Please follow the instructions below for correct assembly.



# mocka



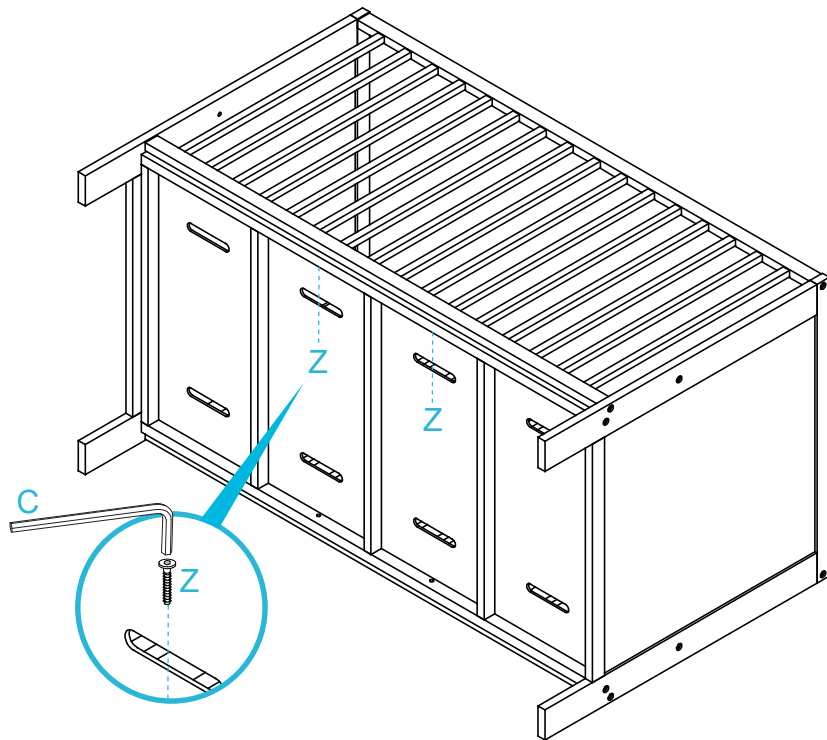
(COT NOT INCLUDED)

# Mocka Cot Toddler Bed Conversion

## Assembly Instructions

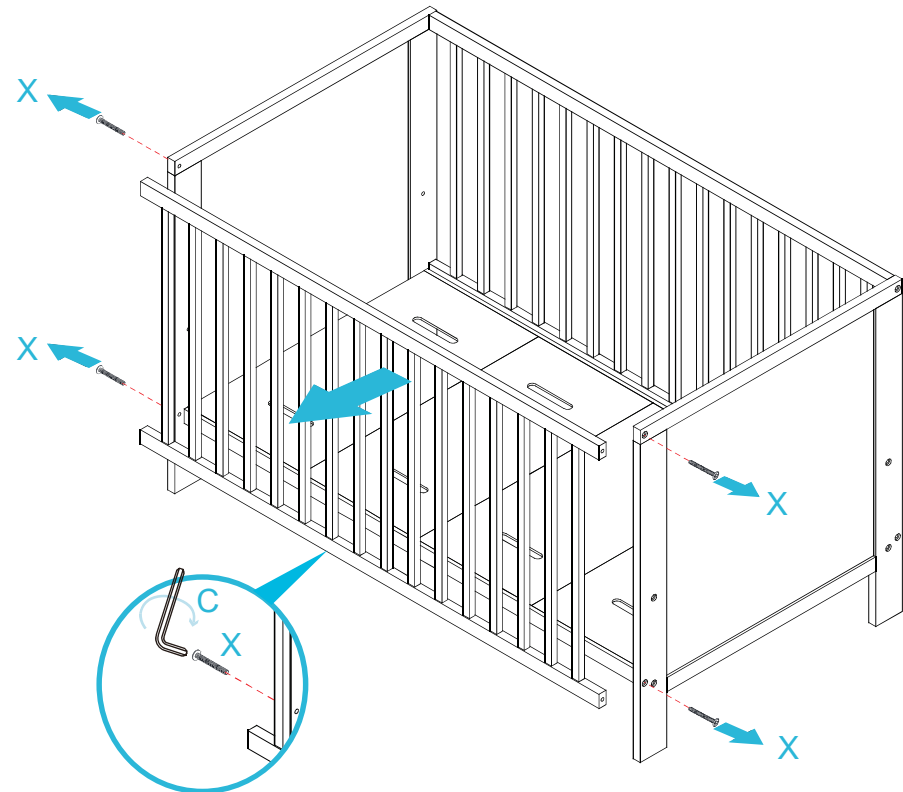
mocka

1



Remove the Z screws already installed in the cot base with an Allen Key (C). You will not need these screws to attach the Conversion.

2



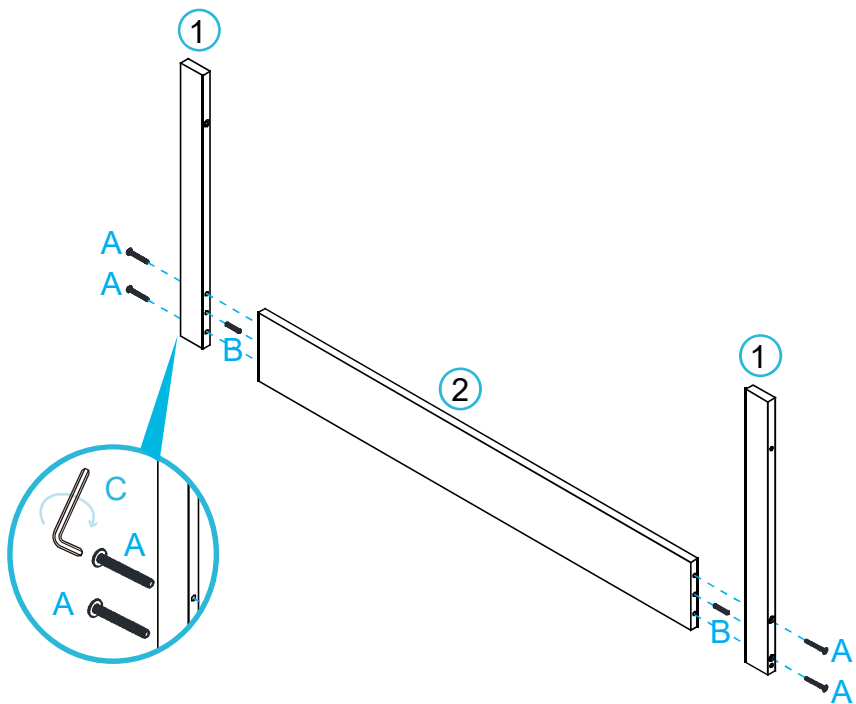
Remove the X screws already installed in the cot with an Allen Key (C). Please hold onto the X screws as you will need these to install the conversion.

# Mocka Cot Toddler Bed Conversion

## Assembly Instructions

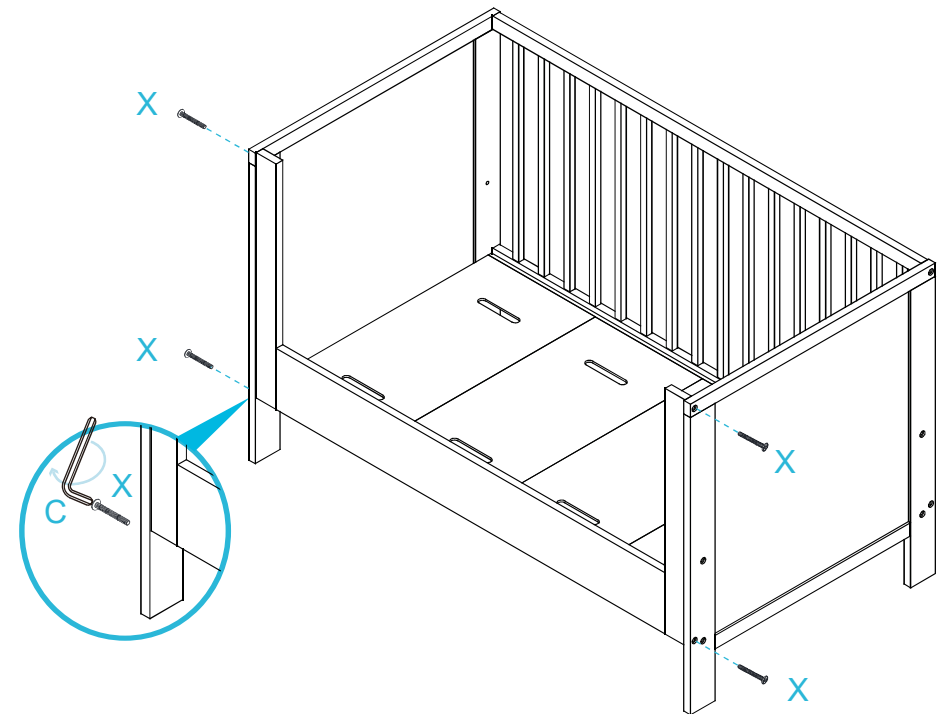
mocka

3



Insert 2 x Dowels (B) into Panel [2]. Attach Panels [1] to Panel [2] and secure with 4 x Bolts (A). Tighten with an Allen Key (C).

4



Attach the conversion to the cot and secure with the 4x (X) screws that were earlier removed from the cot ends. Tighten with an Allen Key (C). You're done, enjoy!