

Mocka Beach Cart

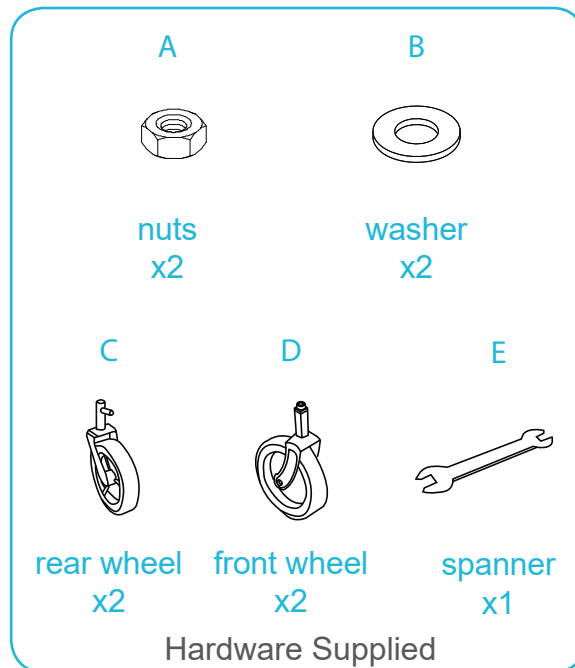
Assembly Instructions

Thank you for your purchase.
Please follow the instructions below for correct assembly.

mocka

WARNING Adult assembly required
90kg Weight Limit.

Mocka Beach Carts are not recommended for children to sit in. Do not locate this product in close proximity to an open fire, radiator or heater

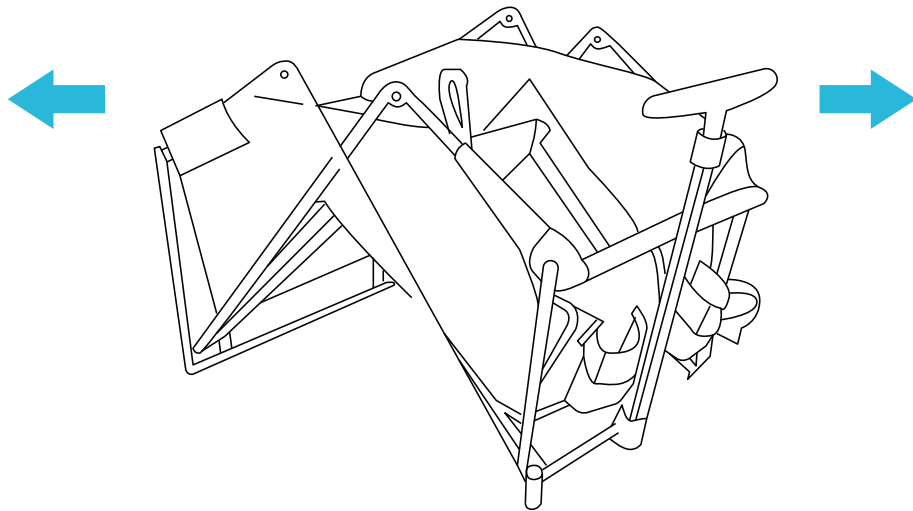


Mocka Beach Cart

Assembly Instructions

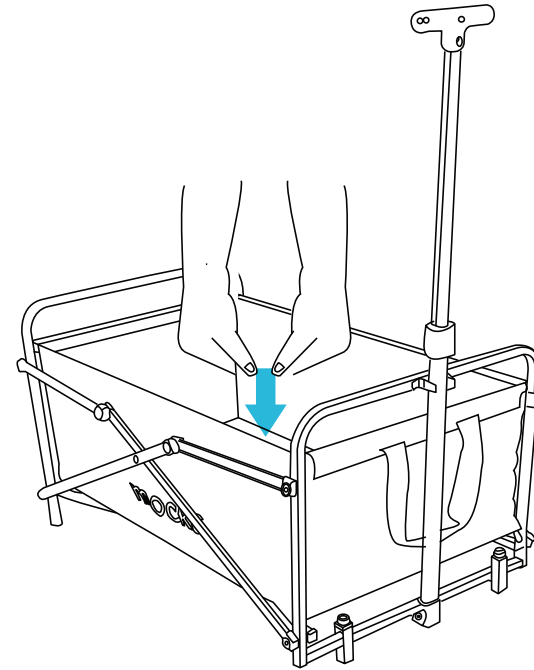
mocka

1



Undo the velcro first and then pull the sides out. Pull the frame ends outwards to unfold the wagon. Push down in the middle of the basket to fully open.

2



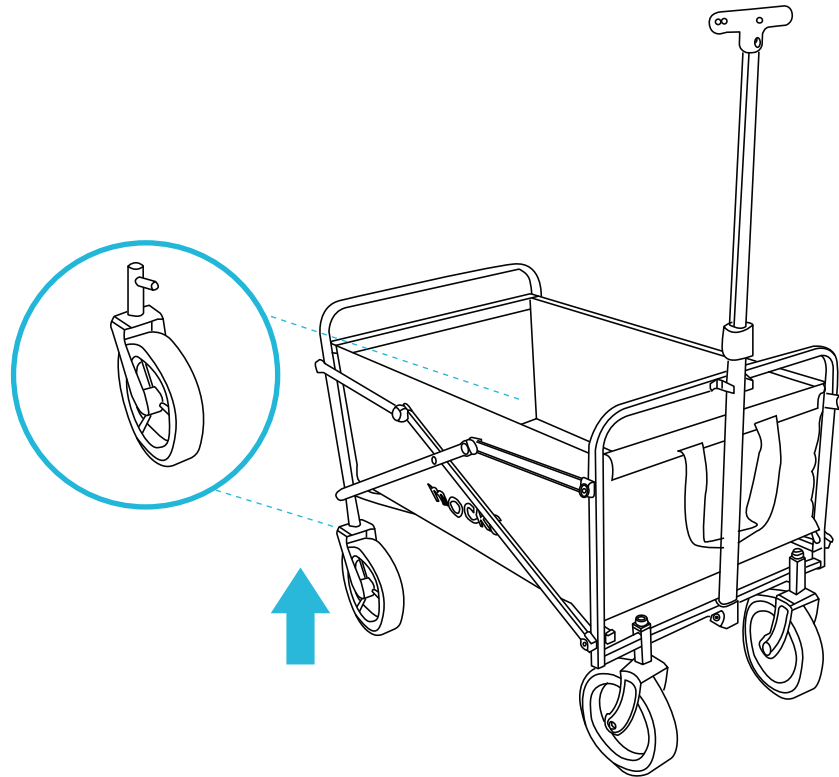
Push the cart down to lock it into place.

Mocka Beach Cart

Assembly Instructions

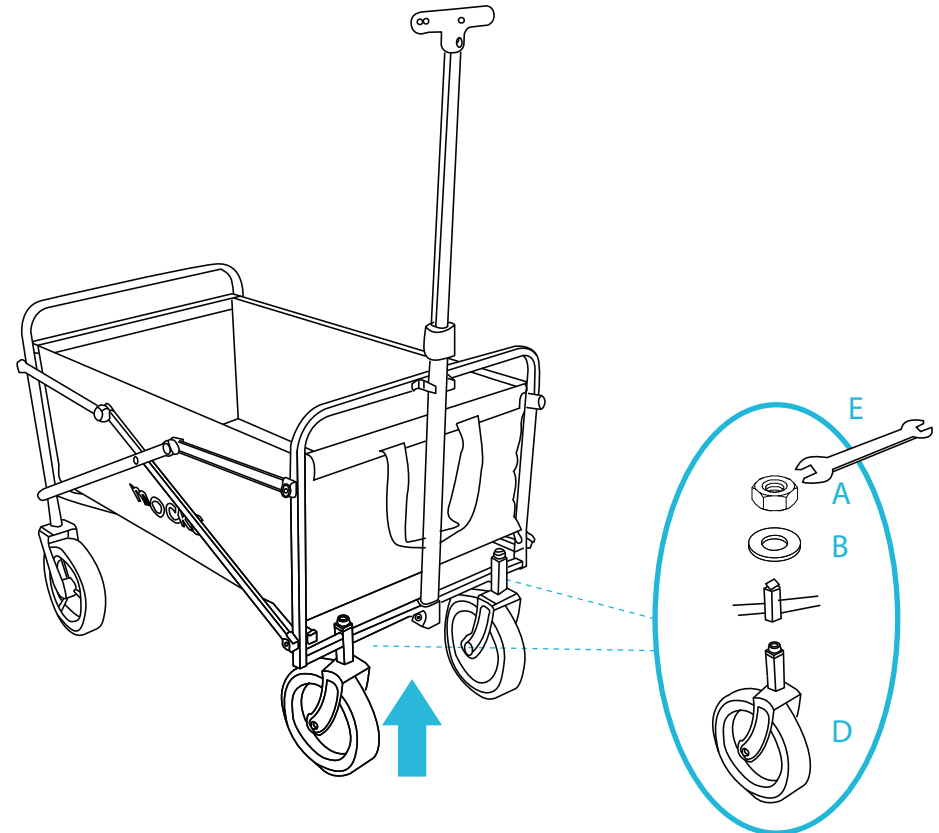
mocka

3



Secure rear wheels by pressing down the spring button and pushing wheels into the metal frame. Wheels are secure once the button clicks into place in the hole of the frame.

4



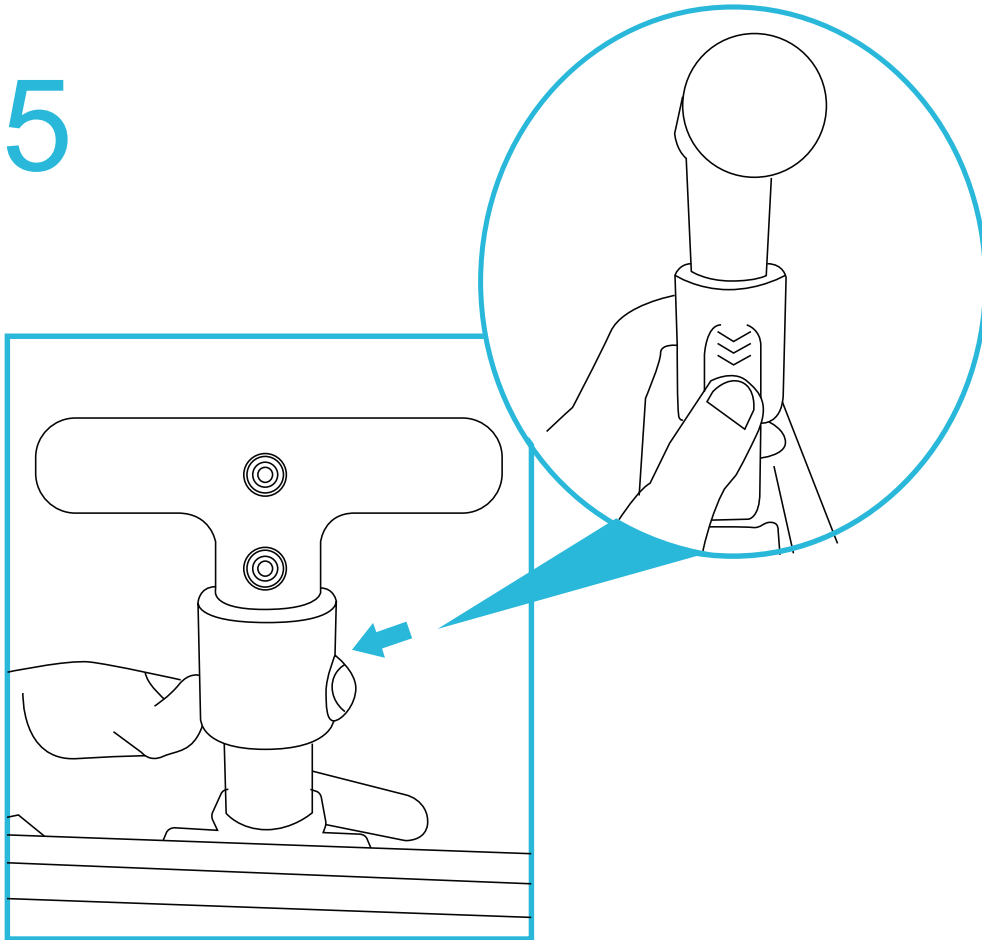
Slide front wheels into metal frame. To secure wheels, place the washer on the top and use the wrench to screw on the nut.

Mocka Beach Cart

Assembly Instructions

mocka

5



Extendable handle. Press the handle button and pull to expand, press the handle button to push back down.

NOTE: To fold up repeat steps 1, 2 and 5.