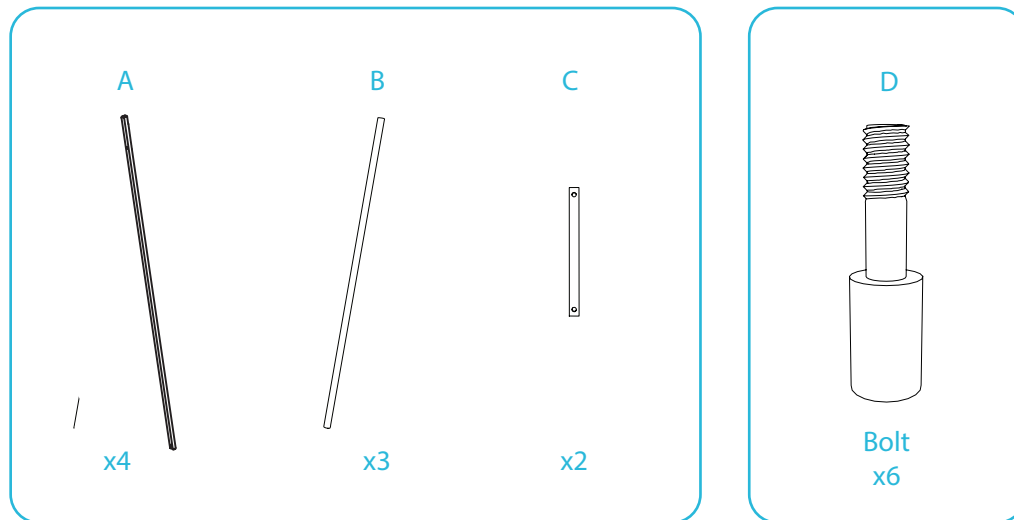


Minka A-Frame

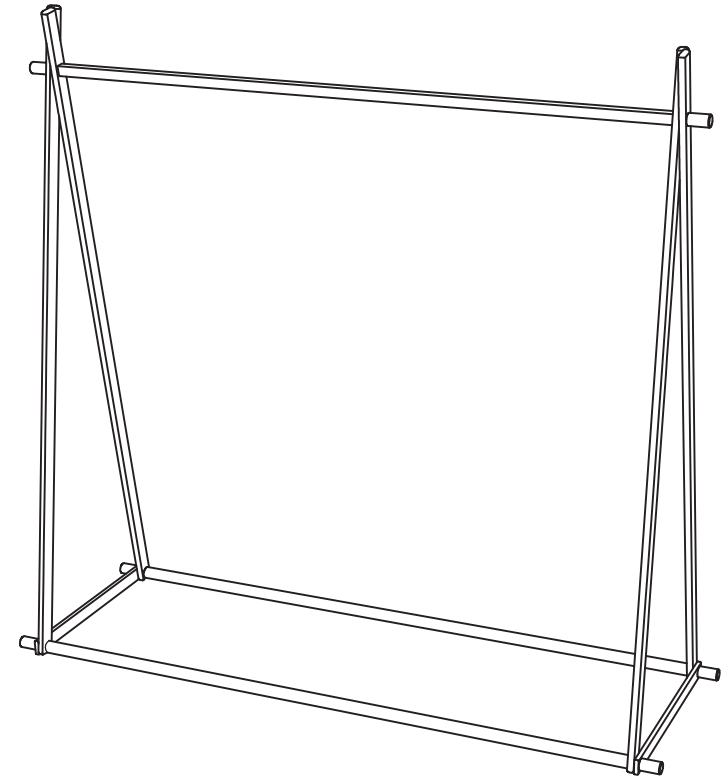
Assembly Instructions

Thank you for your purchase.
Please follow the instructions below for correct assembly.

mocka



To ensure longevity of the wood please use a damp cloth only for cleaning. Avoid use of household cleaners.

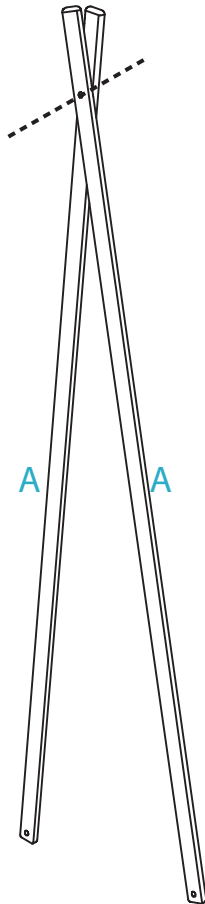


Minka A-Frame

Assembly Instructions

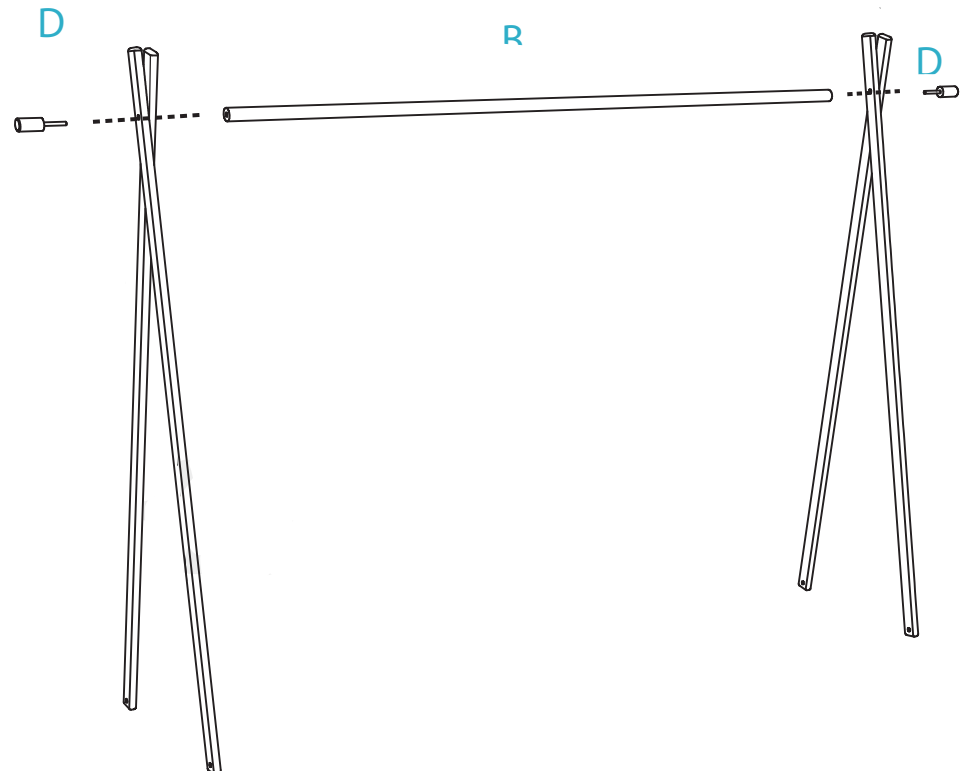
mocka

1



Bring together the Legs (A) of the A-Frame. Make sure the holes are lined up and clear of any loose wood.

2



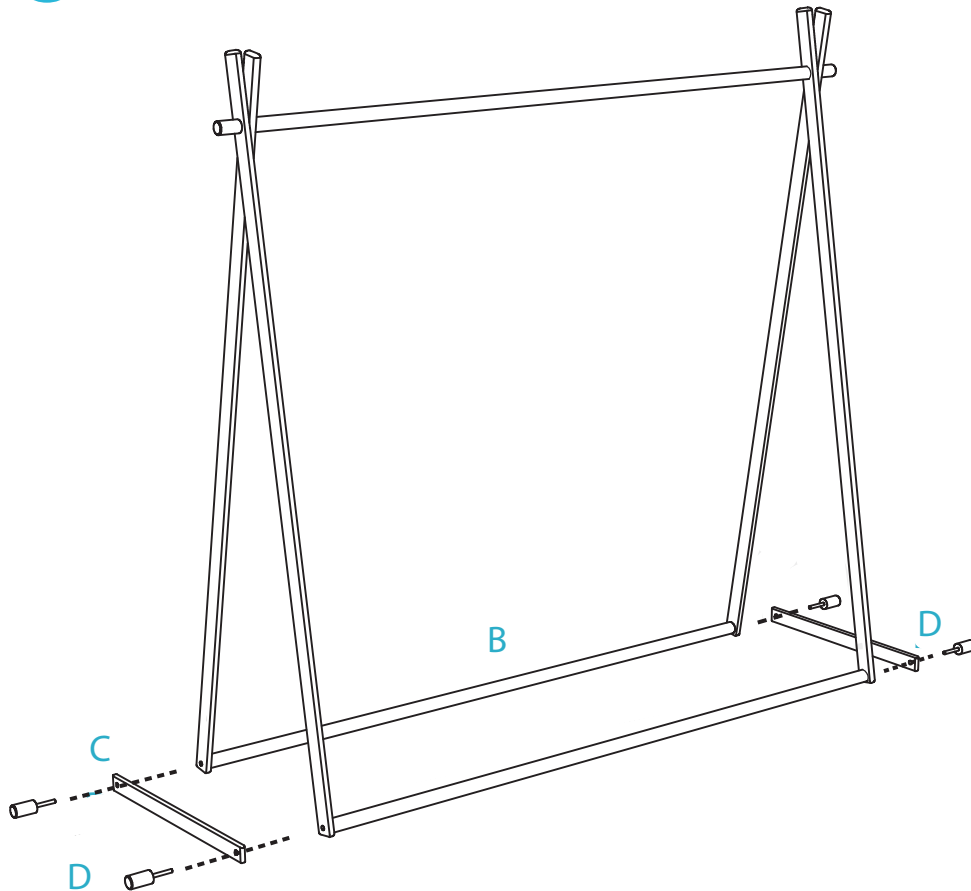
Attach the Legs to the top Rod (B) using 2x Bolts (D).

Minka A-Frame

Assembly Instructions

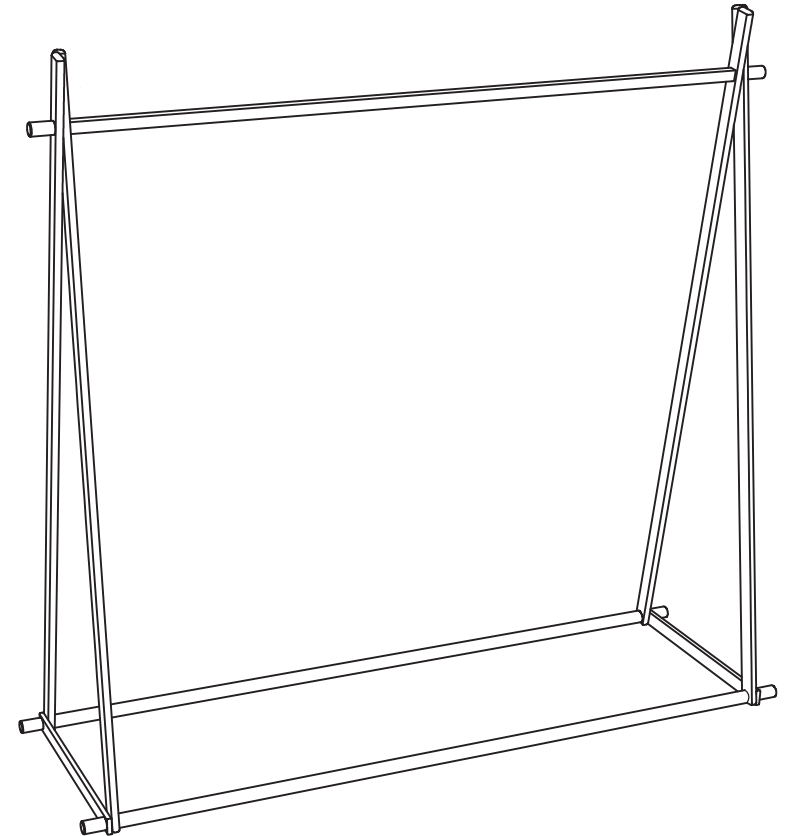
mocka

3



Line up the two remaining rods (B) to the inside of the legs. Place the supports (C) on the outside of the legs and secure the A-Frame using the Bolts (D).

4



All done! Regularly check all bolts are secure but not overly tightened. Enjoy!