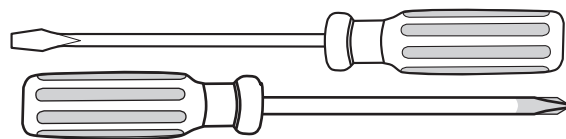
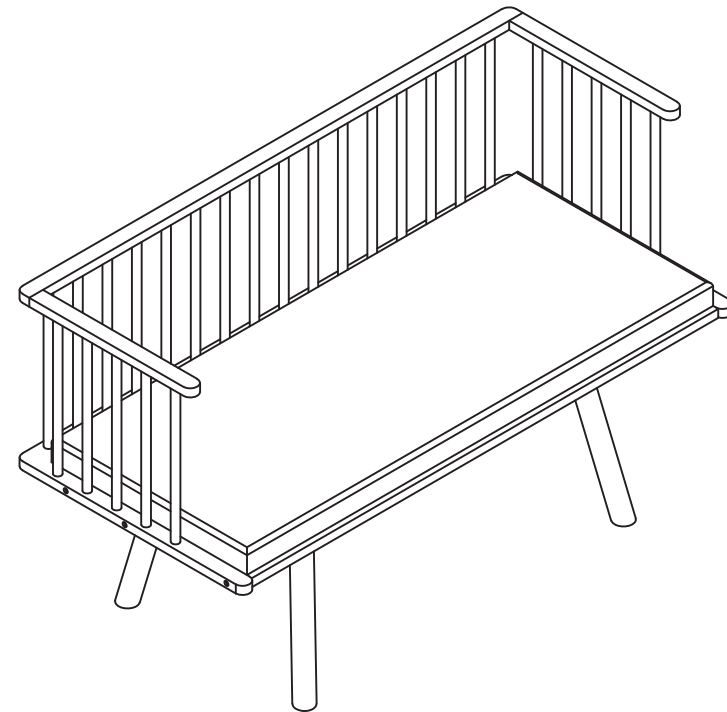
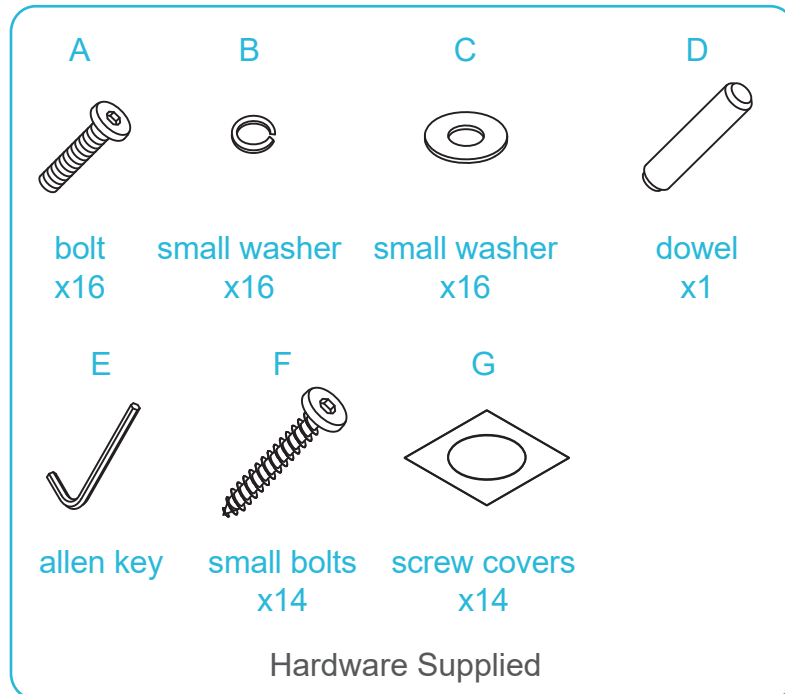


Mikkel Bench Seat

Assembly Instructions

Thank you for your purchase.
Please follow the instructions below for correct assembly.

mocka



Phillips & Flathead screwdrivers required.

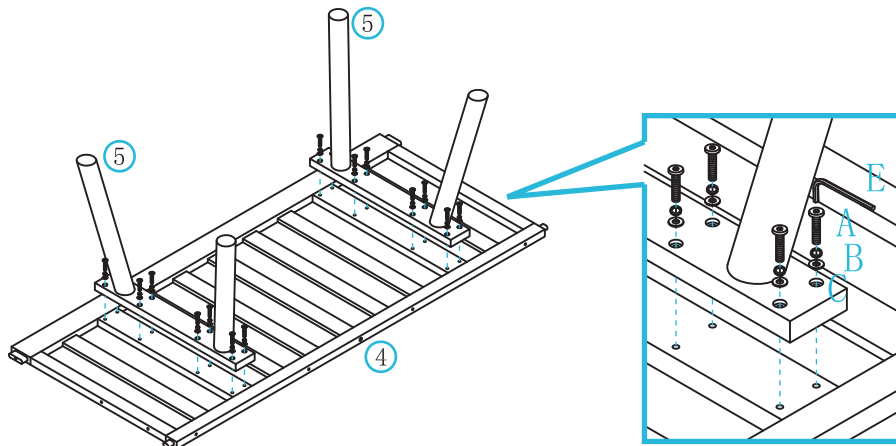
For quicker assembly, we recommend the use of a power drill on a low-speed setting.

Mikkel Bench Seat

Assembly Instructions

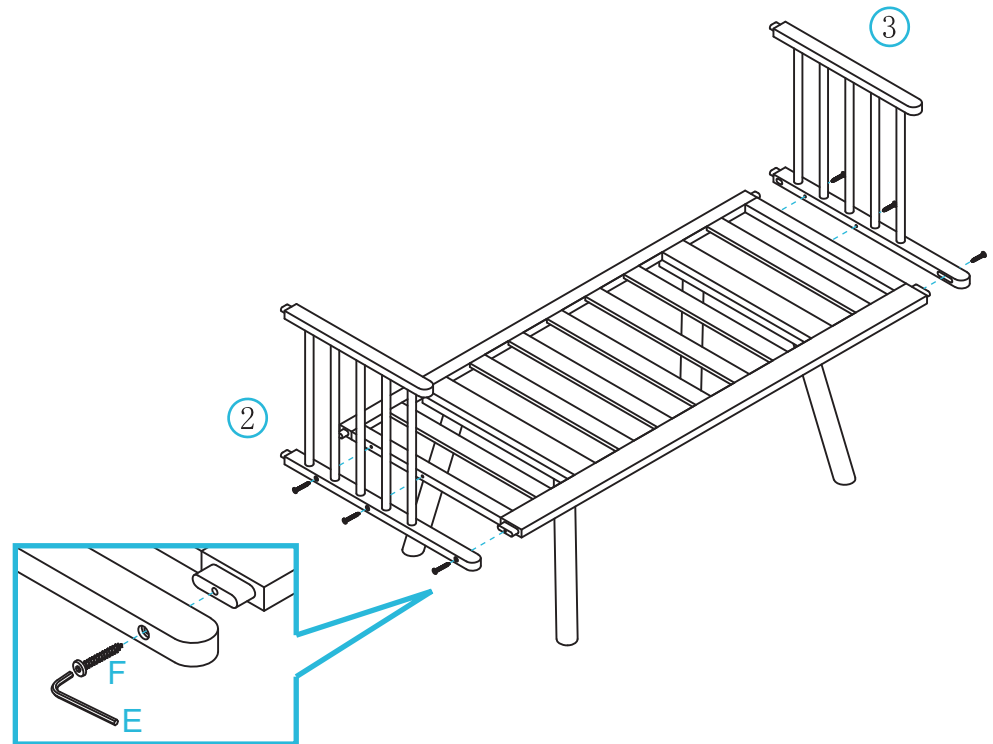
mocka

1



Attach 2 x panels [5] to panel [4] and secure with 16 x bolts (A), 16 x small washers (B) and 16 x large washers (C). Tighten with an Allen Key (E).

2



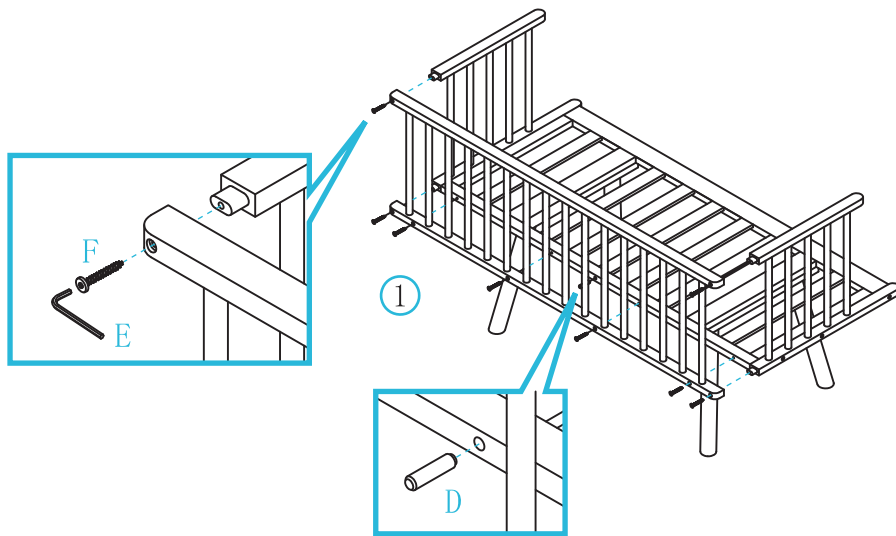
Attach panels [2] and [3] to assembled frame and secure with 6 x small bolts (E). Tighten with an Allen Key (E).

Mikkel Bench Seat

Assembly Instructions

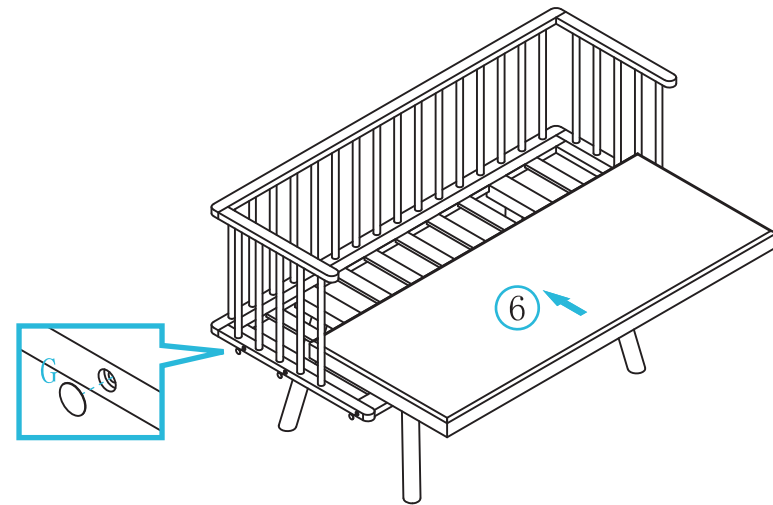
mocka

3



Attach panel [1] to assembled frame and secure with 6 x small bolts (E) and 1 x dowel (D). Tighten with an Allen Key (E).

4



Slide panel [6] into position as shown. Attach 14 x screw covers (G). Once assembled lift furniture into place, do not drag. Ensure unit is balanced and steady before use. You're done, enjoy!