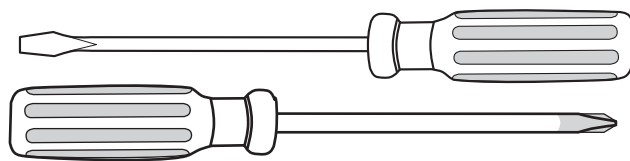
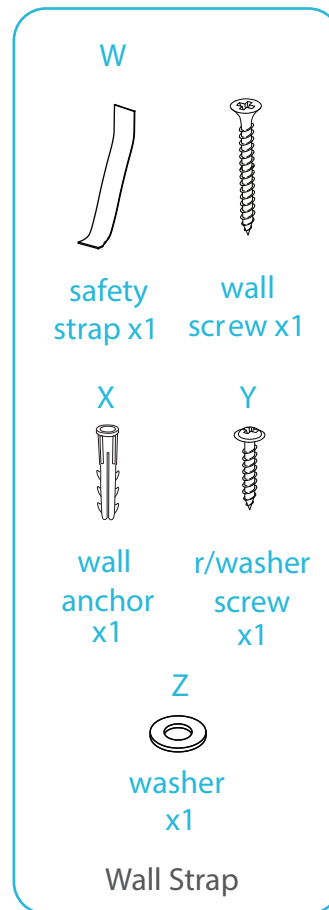
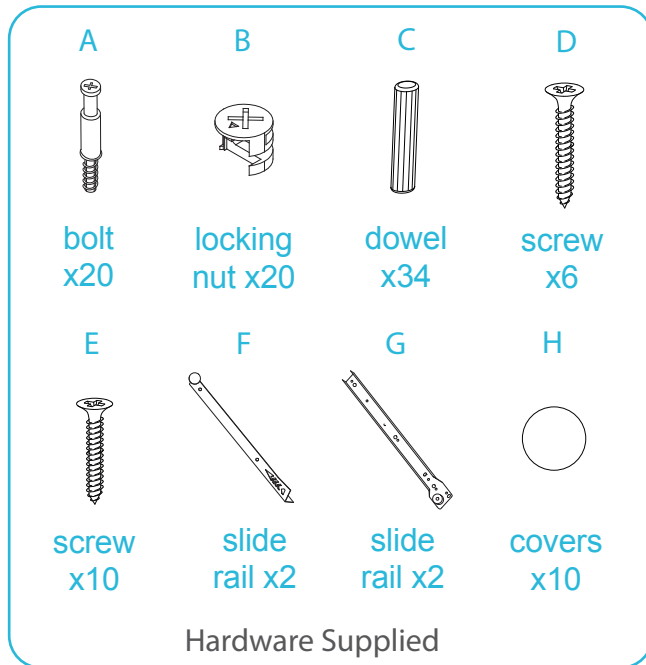


Mocka Make-Up Table

Assembly Instructions

mocka

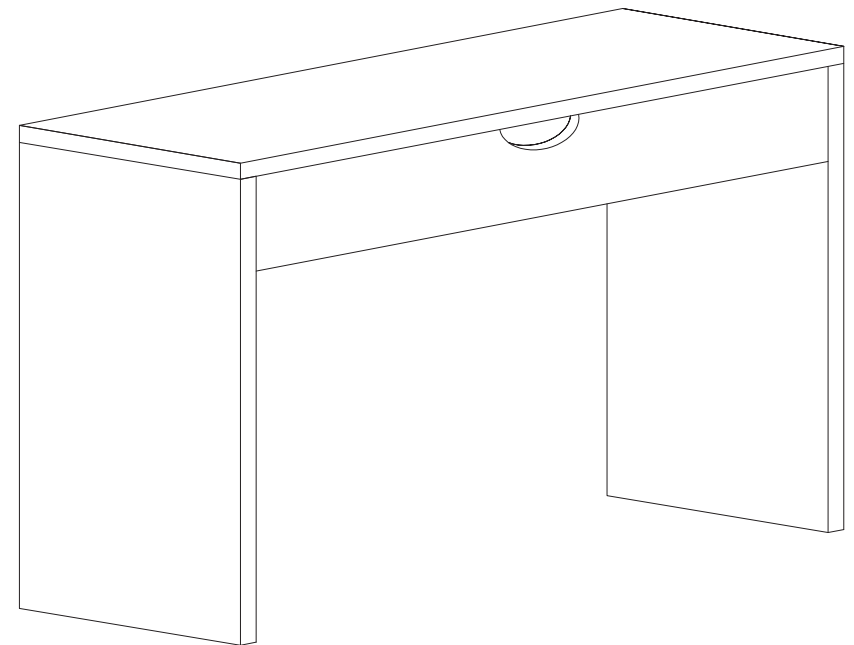
Thank you for your purchase.
Please follow the instructions below for correct assembly.



Phillips & Flathead screwdrivers required

For quicker assembly, we recommend the use of a power drill on a low-speed setting.

WARNING: Any furniture that is not anchored to a wall has the potential to tip over in certain circumstances, i.e. if a child attempts to climb up on the furniture or in the event of an earthquake. Accordingly, we recommend that all furniture is anchored to a wall. We supply a free safety wall anchor with all furniture sold and we recommend these are used to prevent your product tipping. The fixing device provided should fit most wall types, but please note that different wall materials may require different fixing devices from those supplied.



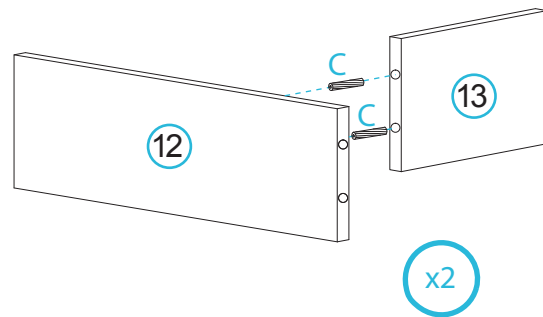
*We recommend using a Flathead screwdriver to tighten all locking nuts 100% before first use. Please clear any loose wood from the locking nut holes before inserting the nut to ensure it locks 100%.

Mocka Make-Up Table

Assembly Instructions

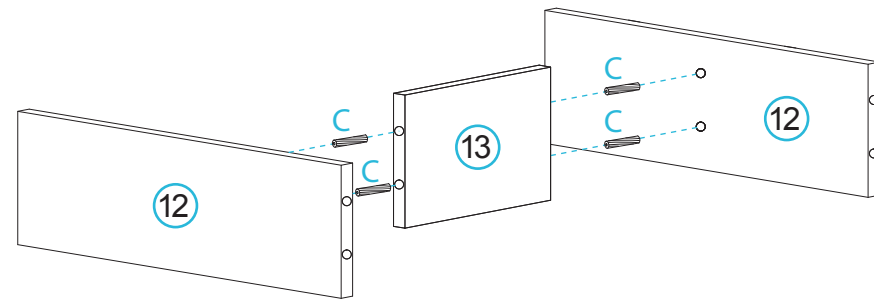
mocka

1



Attach panel [12] to panel [13] using 2x dowels (C). Repeat this step to assemble another section.

2



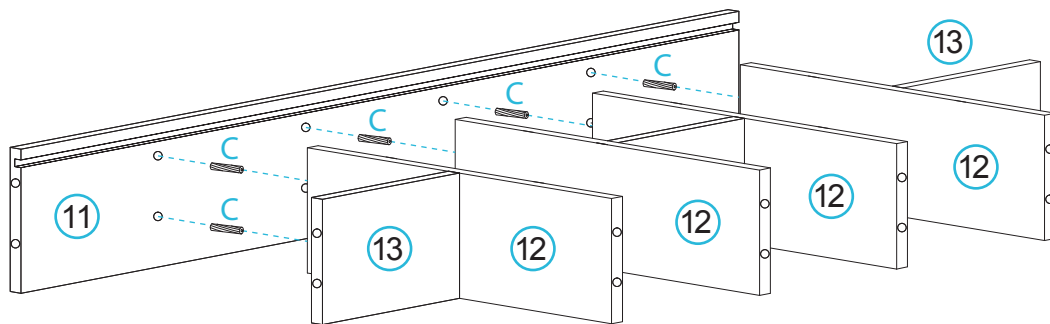
Attach the other panels [12] to panel [13] with 4x dowels (C) as shown.

Mocka Make-Up Table

Assembly Instructions

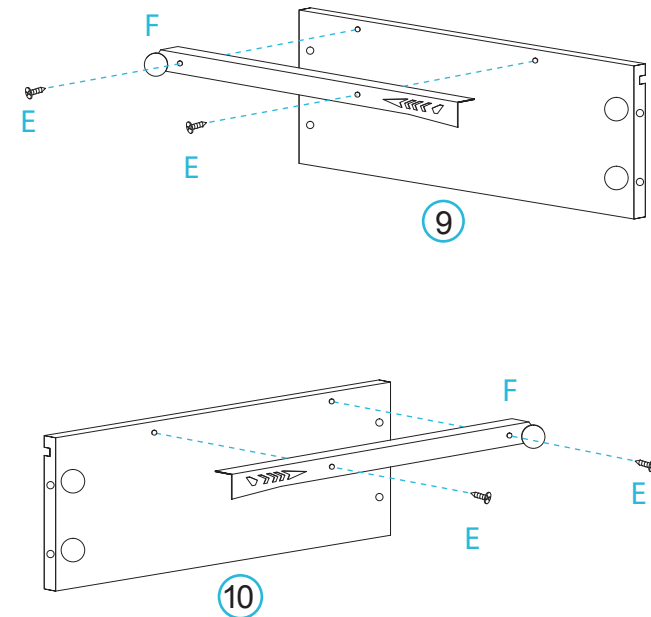
mocka

3



Attach panels [12] to panel [11] using 8x dowels (C).

4



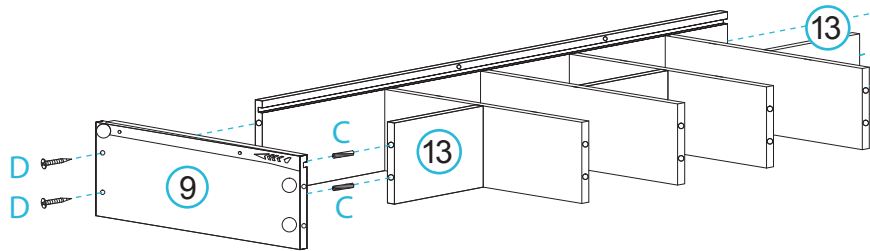
Attach 1x slide rail (F) to panel [9] using 2x screws (E). Attach 1x slide rail (F) to panel [10] using 2x screws (E). Tighten with a screwdriver.

Mocka Make-Up Table

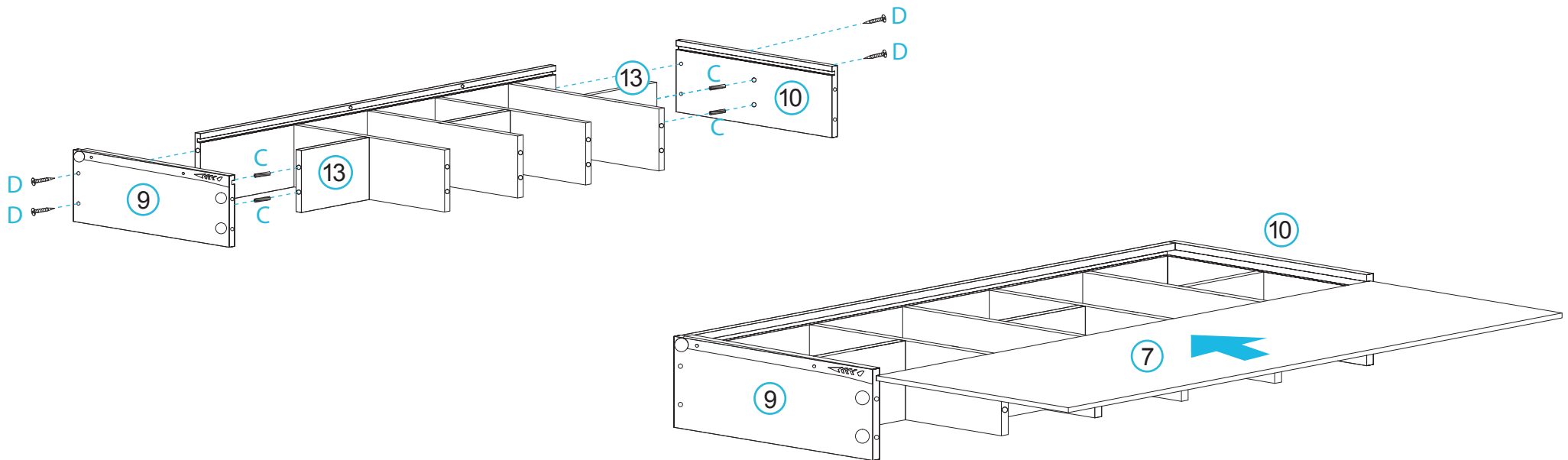
Assembly Instructions

mocka

5



6



Attach panel [9] to panel [13] using 2x dowels (C) and secure with 2x screws (D). Attach panel [10] to panel [13] using 2x dowels (C) and secure with 2x screws (D). Tighten with a screwdriver.

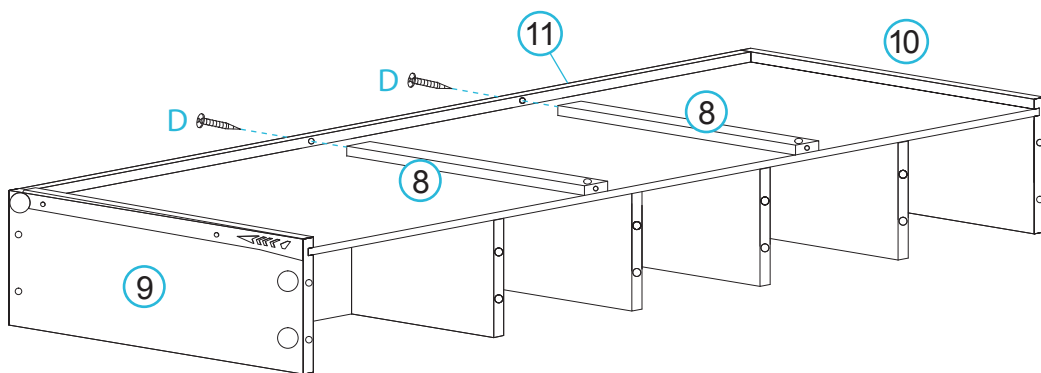
Slide panel [7] along the grooves between panels [9] and [10].

Mocka Make-Up Table

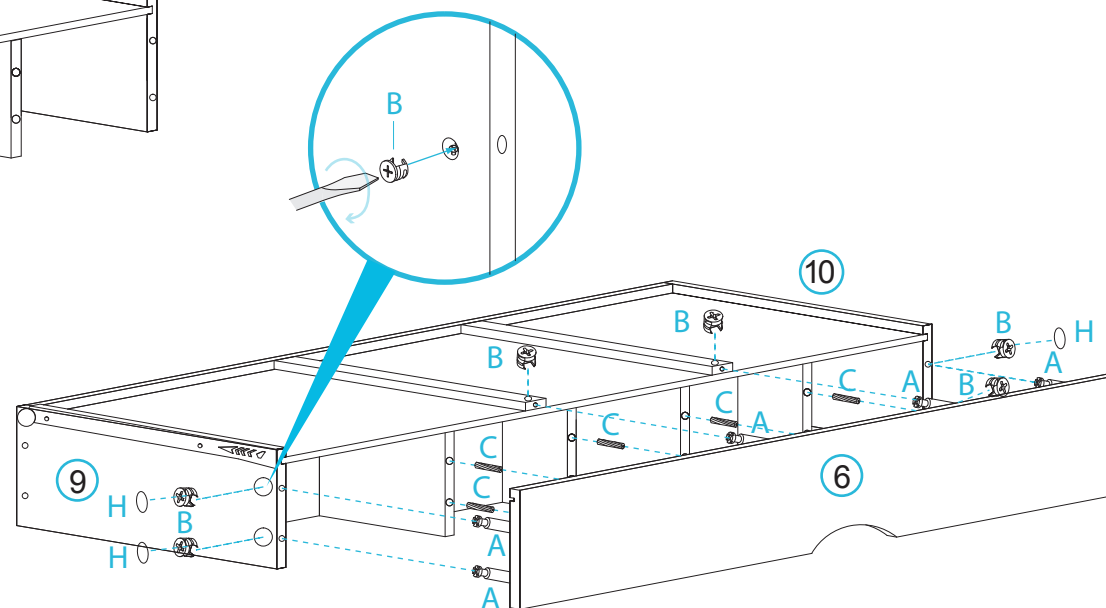
Assembly Instructions

mocka

7



8



Attach panels [8] to panel [11] as shown using 2x screws (D). Tighten with a screwdriver.

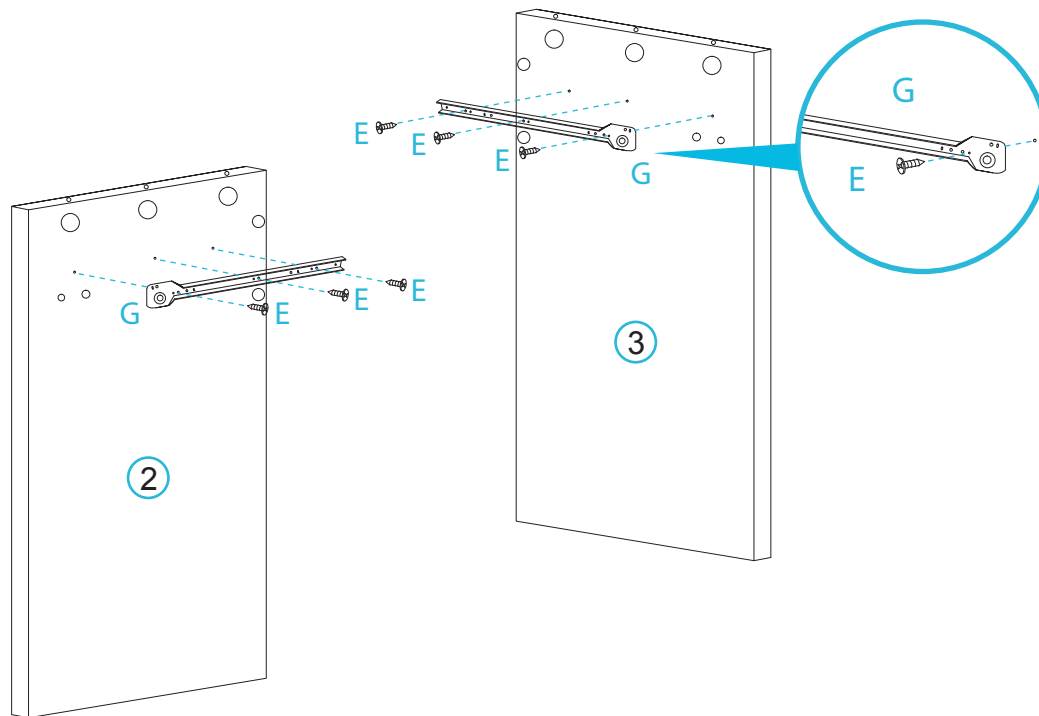
Attach panel [6] as shown using 8x dowels (C), 6x bolts (A) and secure with 6x locking nuts (B) as shown. Tighten with a screwdriver. Use 4x stickers (H) to cover the holes where locking nuts (B) are used as shown.

Mocka Make-Up Table

Assembly Instructions

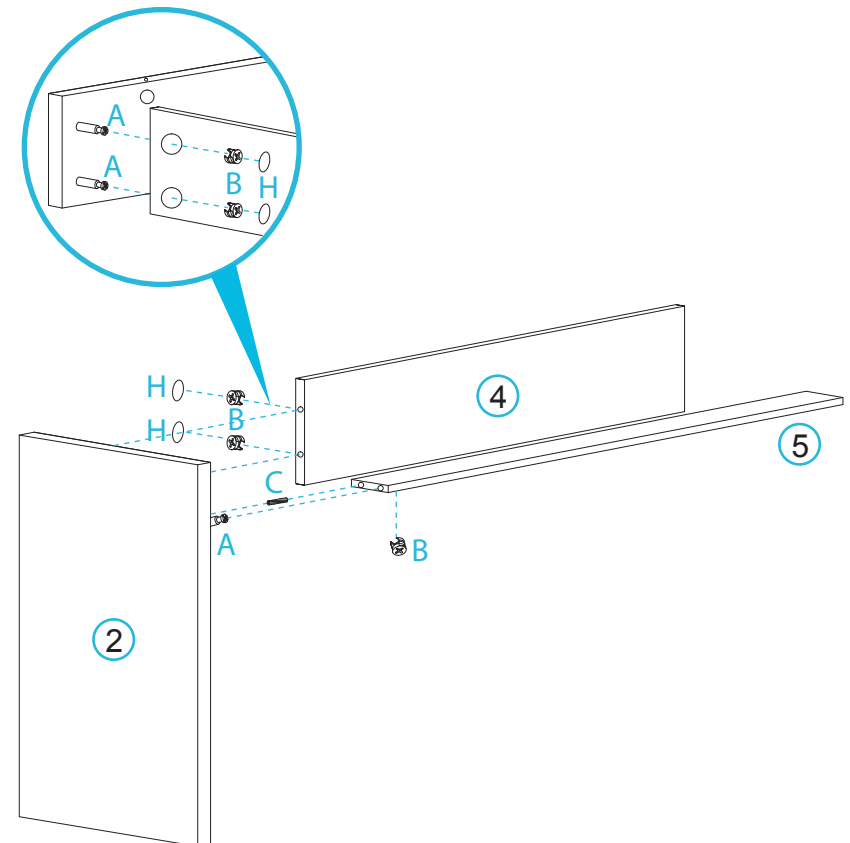
mocka

9



Attach 1x slide rail (G) to panel [2] using 3x screws (E). Attach 1x slide rail (G) to panel [3] using 3x screws (E). Tighten with a screwdriver.

10



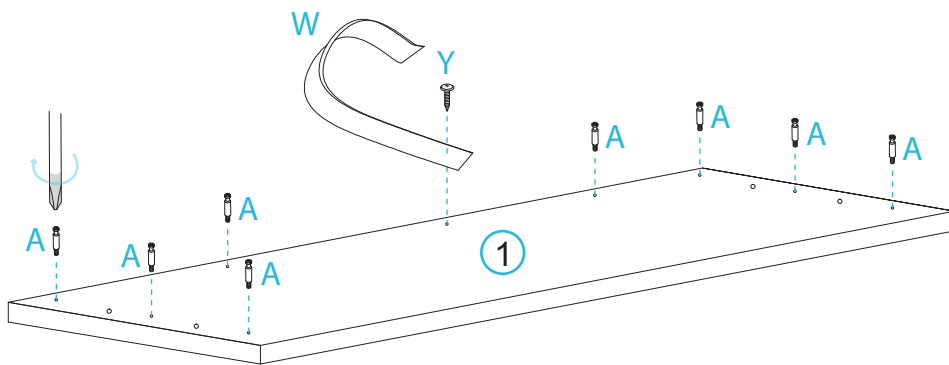
Attach panel [4] to panel [2] using 2x bolts (A) and secure with 2x locking nuts (B). Attach panel [5] to panel [2] using 1x dowel (C), 1x bolt (A) and secure with 1x locking nut (B). Tighten with a screwdriver. Use 2x stickers (H) to cover the holes where locking nuts (B) are used.

Mocka Make-Up Table

Assembly Instructions

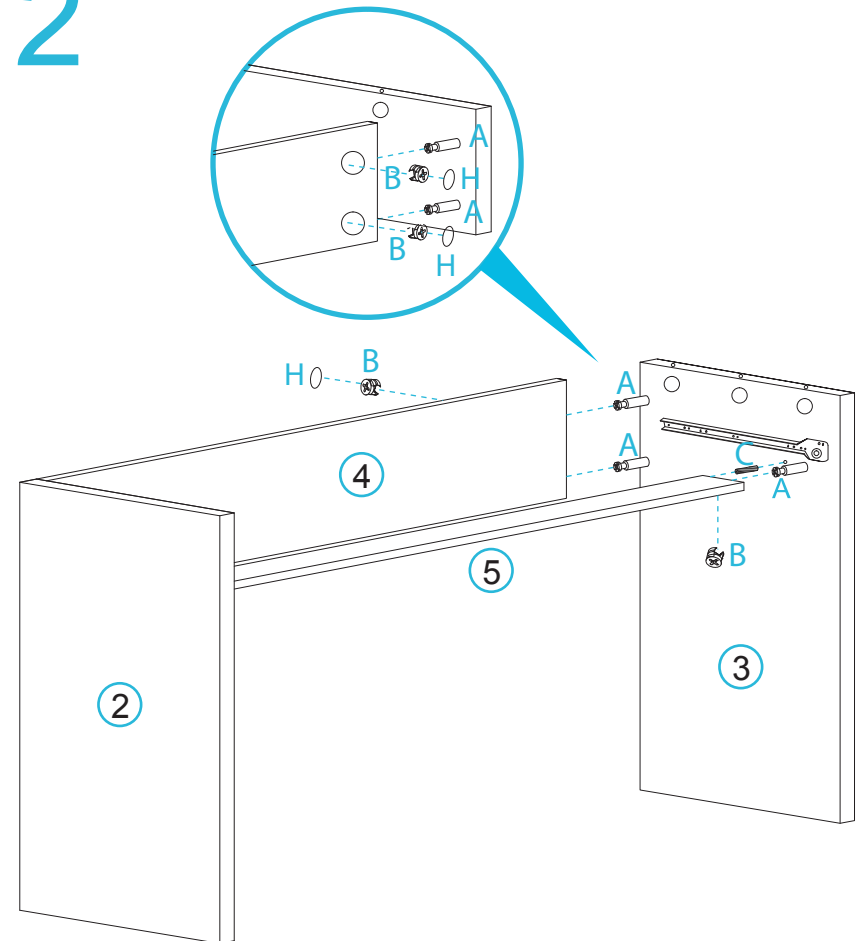
mocka

11 Wall Strap



Insert 8x bolts (A) into panel [1] and attach 1x safety strap (W) using 1x screw (Y). Tighten with a screwdriver.

12



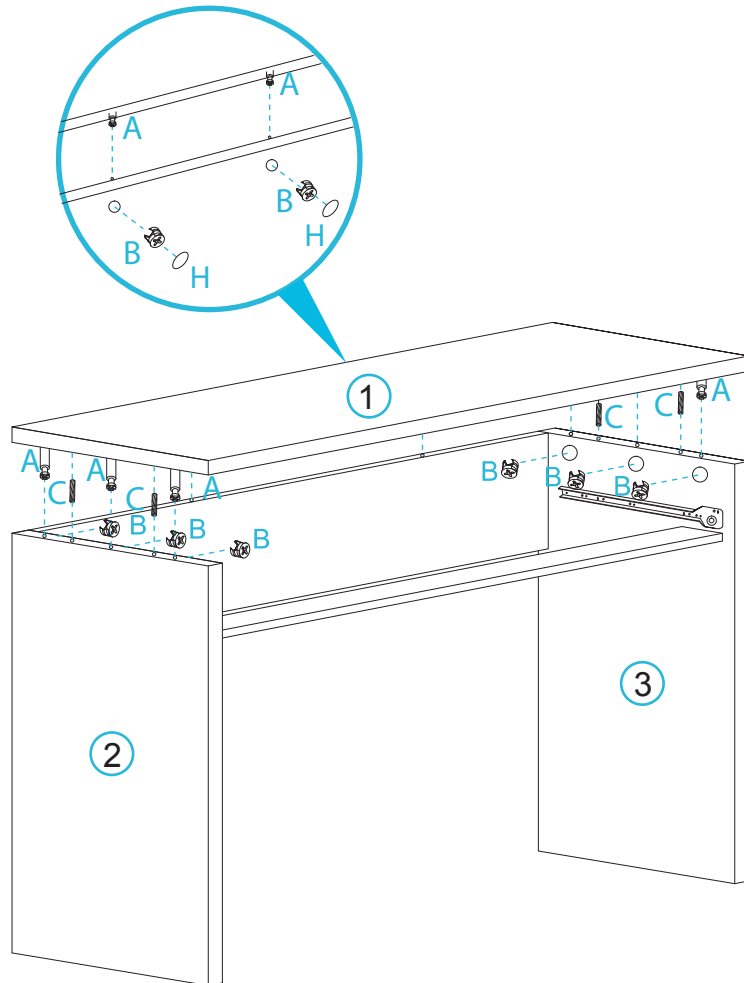
Attach panel [4] to panel [3] using 2x bolts (A) and secure with 2x locking nuts (B). Attach panel [5] to panel [3] using 1x dowel (C), 1x bolt (A) and secure with 1x locking nut (B). Tighten with a screwdriver. Use 2x stickers (H) to cover the holes where locking nuts (B) are used.

Mocka Make-Up Table

Assembly Instructions

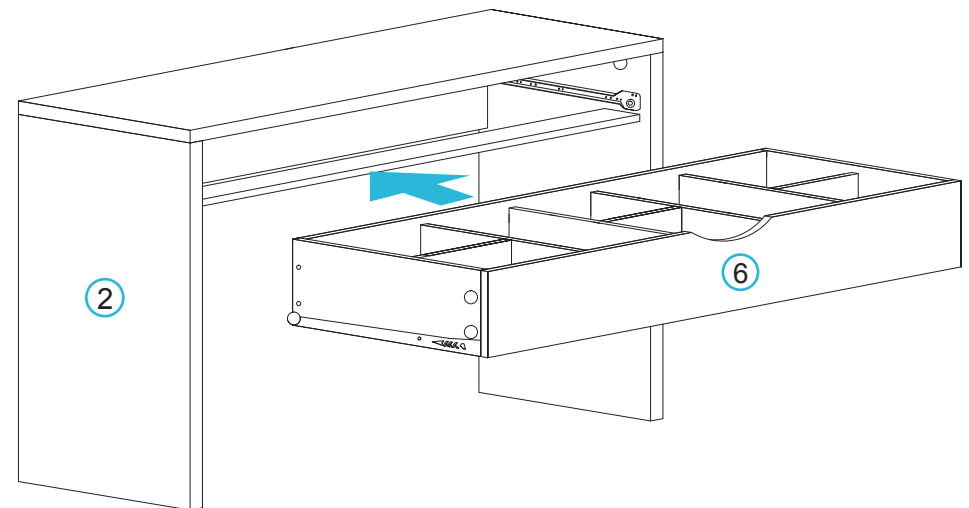
mocka

13



Attach panel [1] to panels [2] and [3] using 4x dowels (C) and secure with 8x locking nuts (B). Tighten with a screwdriver. Use 2x stickers (H) to cover the rear holes where locking nuts (B) are used.

14



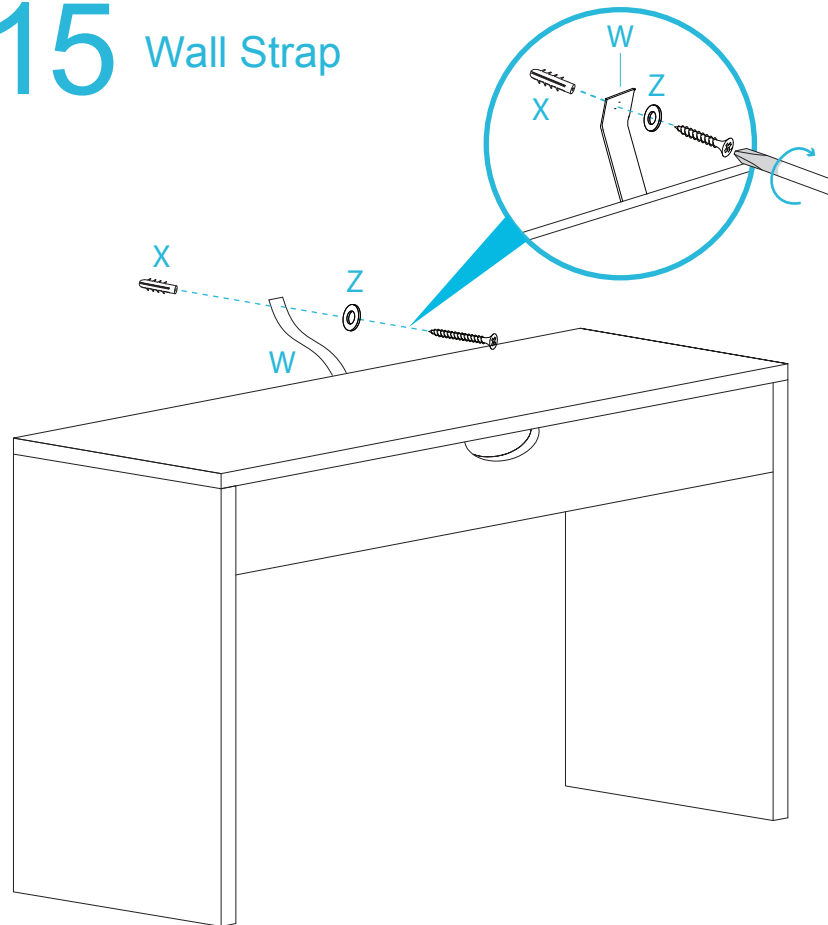
Insert the drawers into the unit ensuring it smoothly and easily slides along the rails.

Mocka Make-Up Table

Assembly Instructions

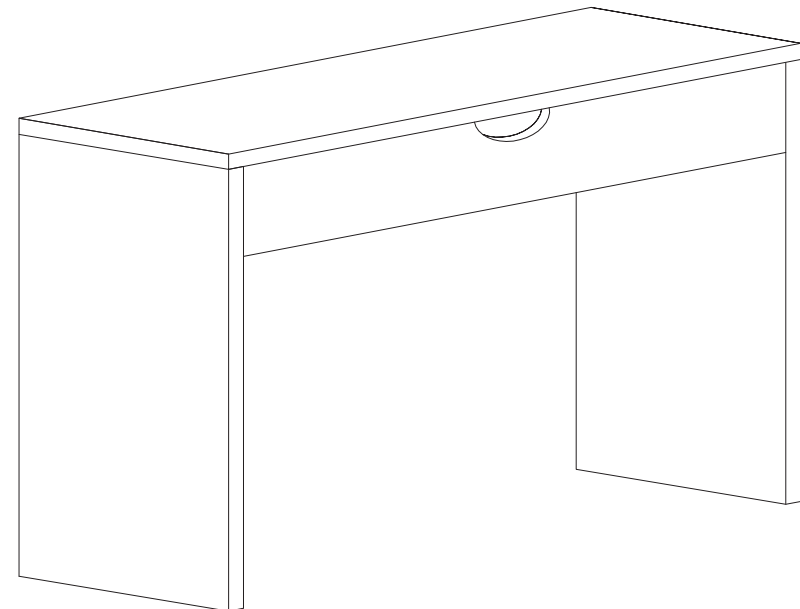
mocka

15 Wall Strap



Once assembled lift furniture into place, do not drag. Use a drill to create a small hole lining up with the top of the safety strap (W). Fasten to wall using 1x wall plug (X), 1x washer (Z) and 1x wall screw (not supplied).

16



Ensure the unit is balanced and steady before use. You're done, enjoy!