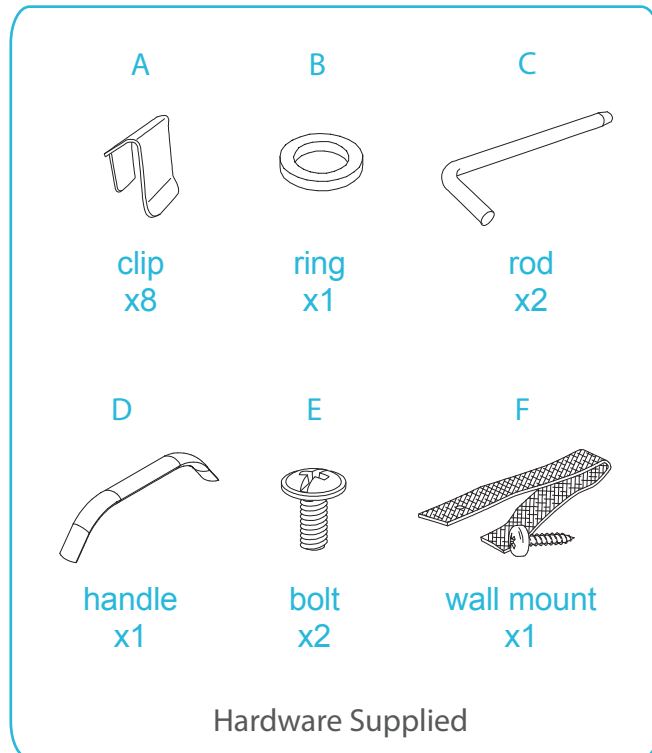


Locka Single

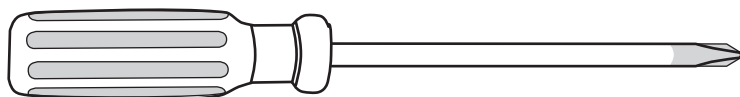
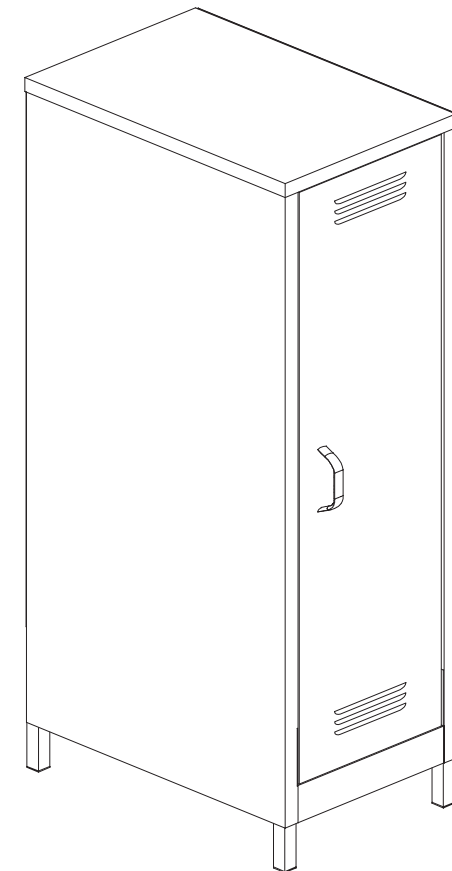
Assembly Instructions

mocka

Thank you for your purchase.
Please follow the instructions below for correct assembly.



WARNING: Any furniture that is not anchored to a wall has the potential to tip over in certain circumstances, i.e. if a child attempts to climb up on the furniture or in the event of an earthquake. Accordingly, we recommend that all furniture is anchored to a wall. We supply a free safety wall anchor with all furniture sold and we recommend these are used to prevent your product tipping. The fixing device provided should fit most wall types, but please note that different wall materials may require different fixing devices from those supplied.

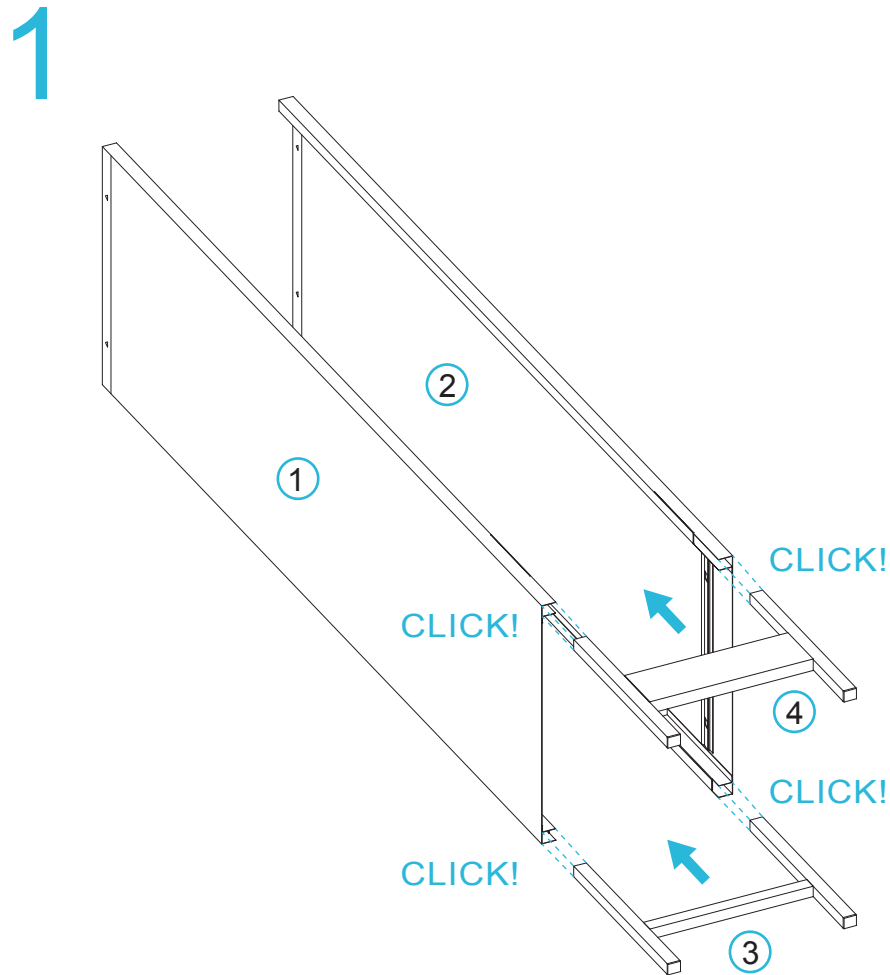


Phillips screwdriver required

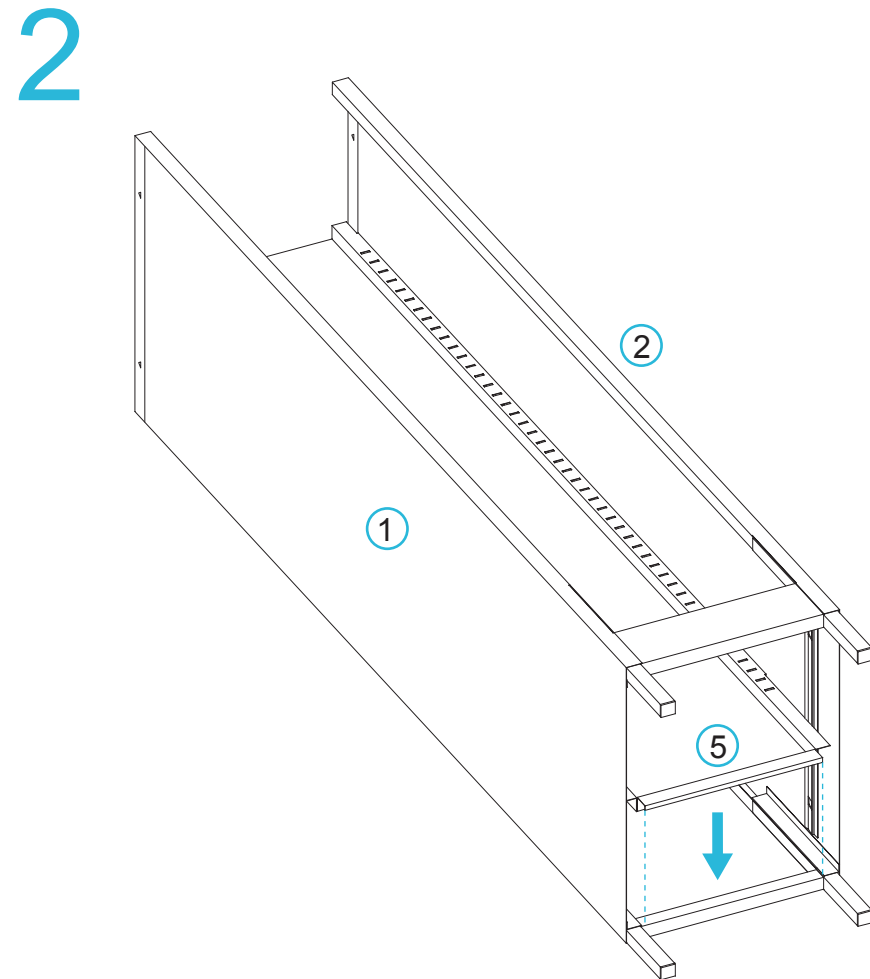
Locka Single

Assembly Instructions

mocka



Slide the legs [3] and [4] into the bottom of the panels [1] and [2] until they click into place.



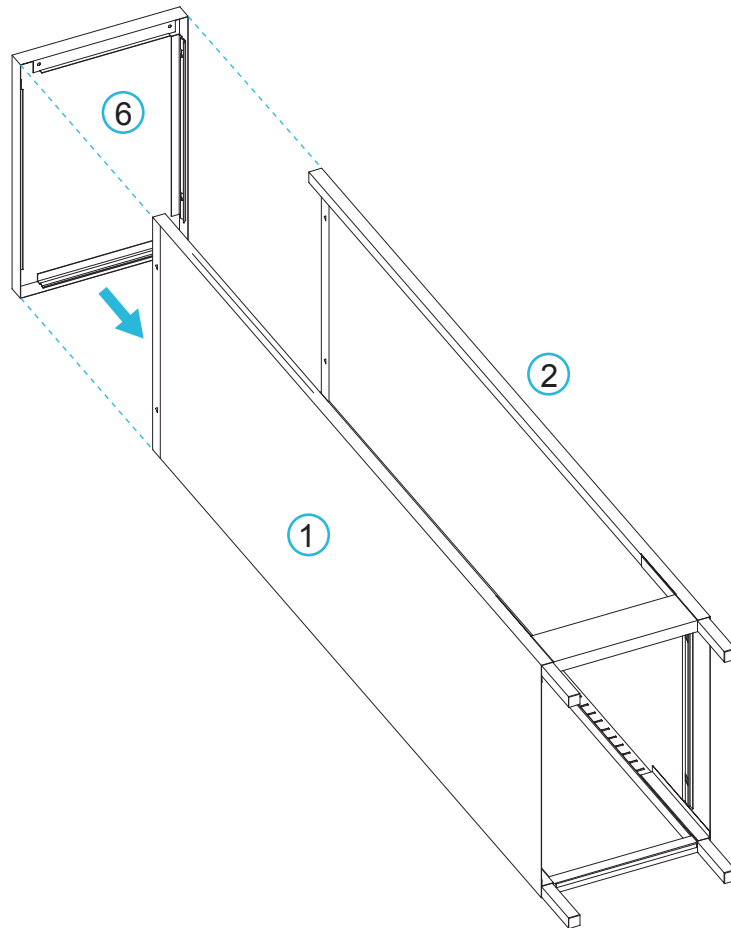
Insert the back panel [5] between panels [1] and [2] as shown.

Locka Single

Assembly Instructions

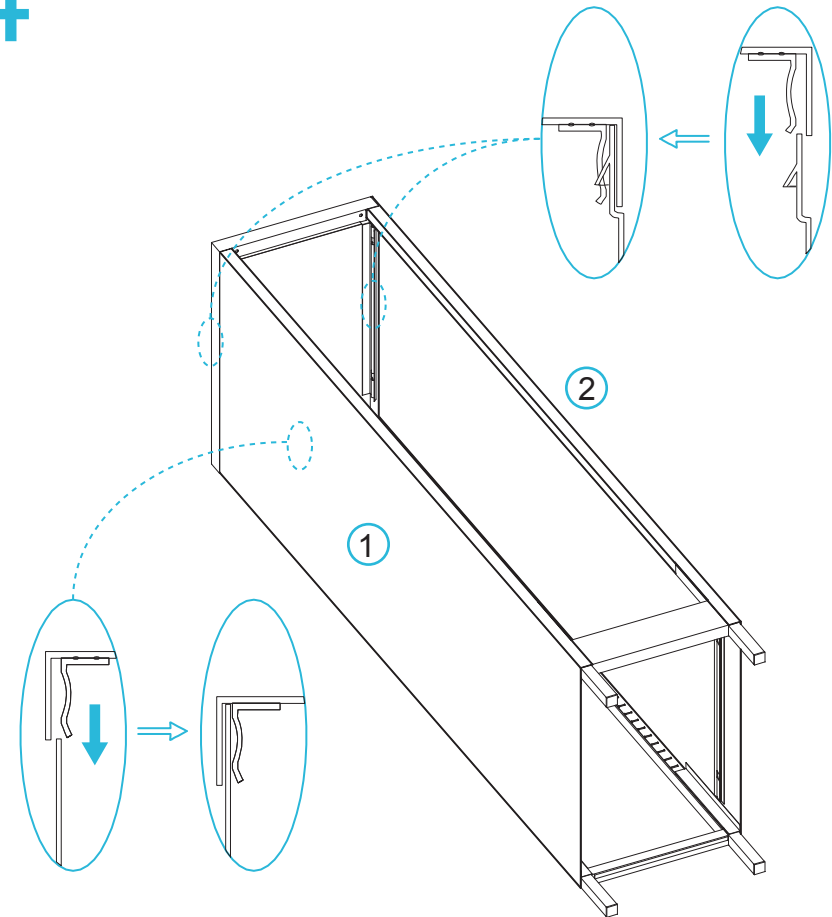
mocka

3



Attach the top panel [6] to the rest of the unit.

4



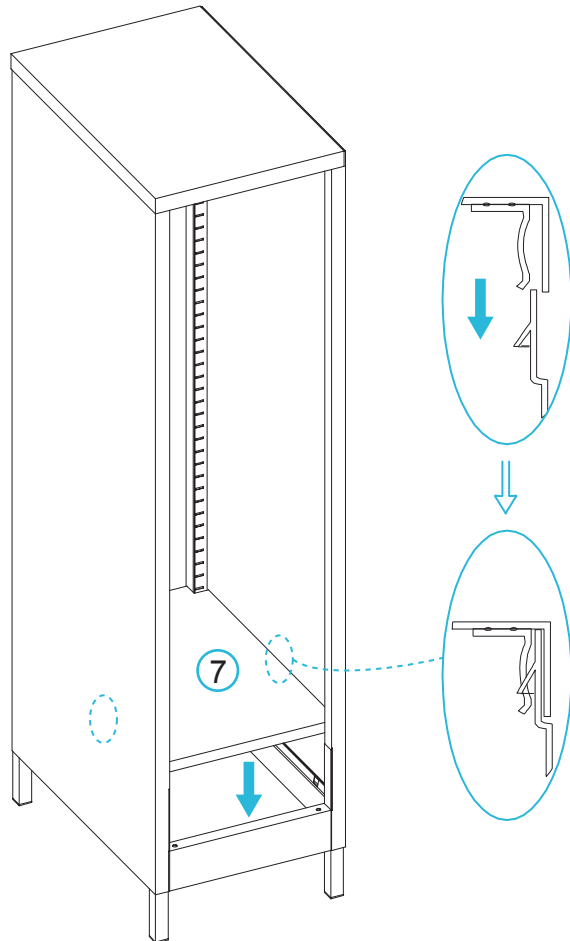
Secure the top panel by clicking into place as shown.

Locka Single

Assembly Instructions

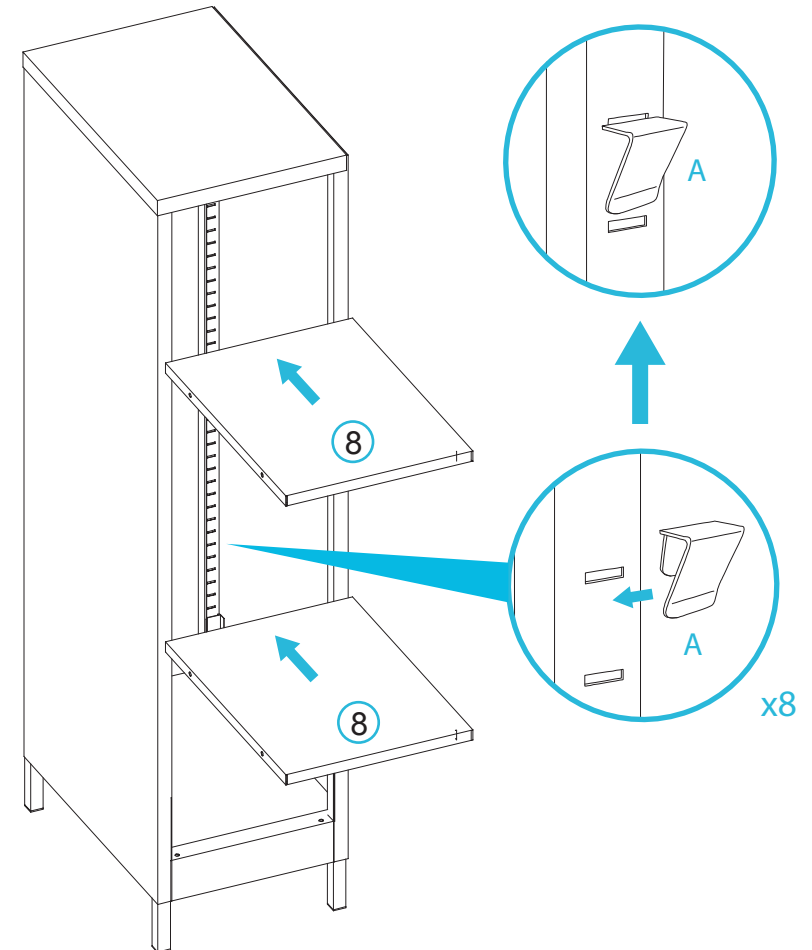
mocka

5



Insert bottom panel [7] by clicking into place as shown.
NB. If you ever need to take the shelves out to readjust their height, please use a flat head screwdriver to loosen the clips from underneath.

6



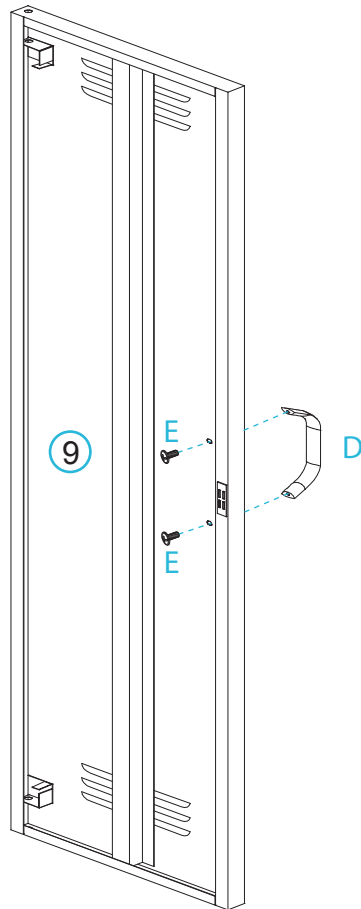
Insert 8x clips (A) into the back and front clip brackets at your desired shelf height as shown. Place the two shelf panels [8] into the unit over the clips to form the shelves.

Locka Single

Assembly Instructions

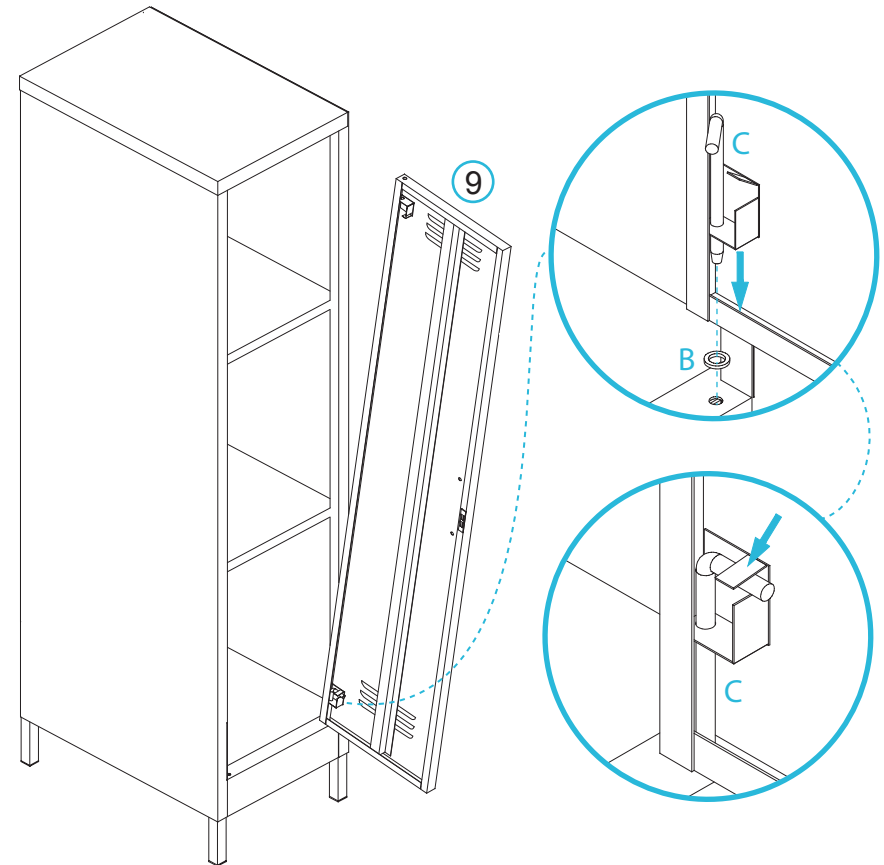
mocka

7



Attach handle (D) to door panel [9] with 2x bolts (E) and tighten with a screwdriver.

8



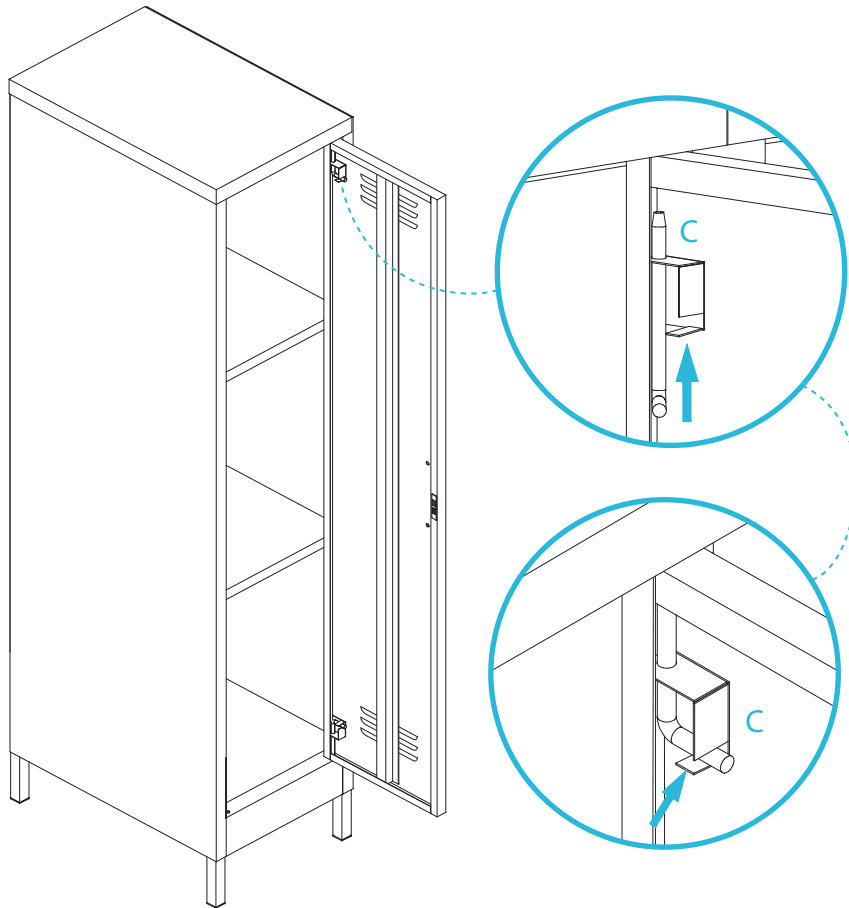
To attach the bottom of the door, insert 1x ring (B) and 1x rod (C) through the door panel [9] as shown. Twist the rod into place and secure by bending the clasp down.

Locka Single

Assembly Instructions

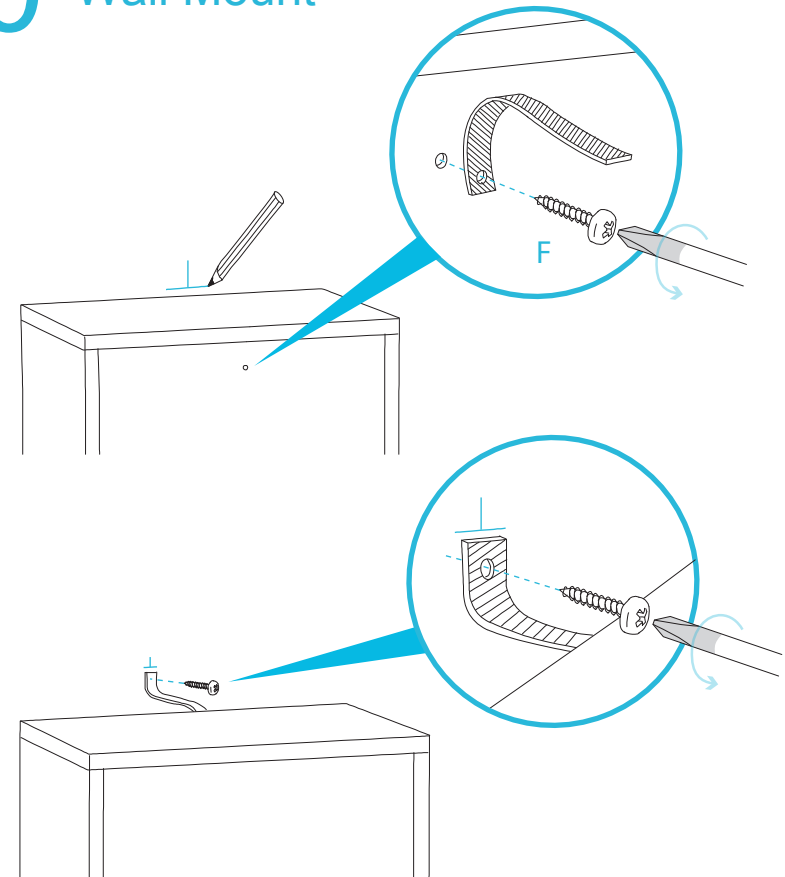
mocka

9



To attach the top of the door, insert 1x rod (C) through the door panel as shown. Twist the rod into place and secure by bending the clasp up onto it.

10 Wall Mount



Lift the completed unit into place, do not drag. Mark its height on the wall with a pencil. Attach one end of the wall mount strap to the back of the unit with a 1x screw (F). Screw the other end into the wall at the marked height with a wall screw (not supplied). You're done, enjoy!