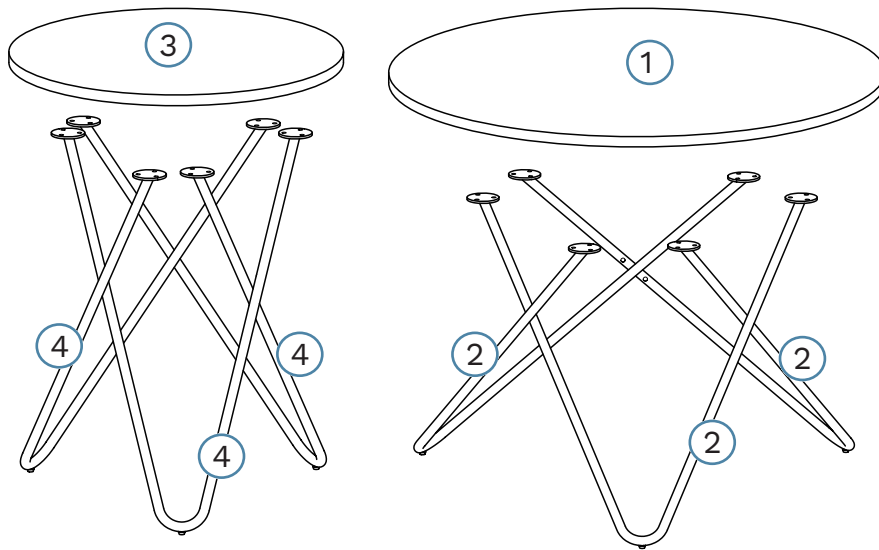
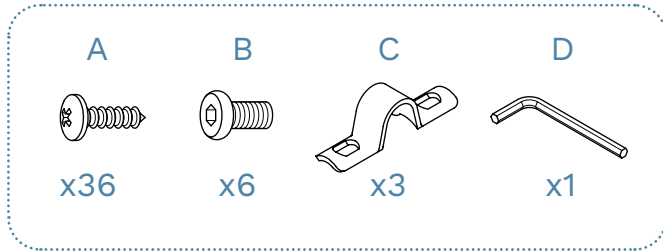


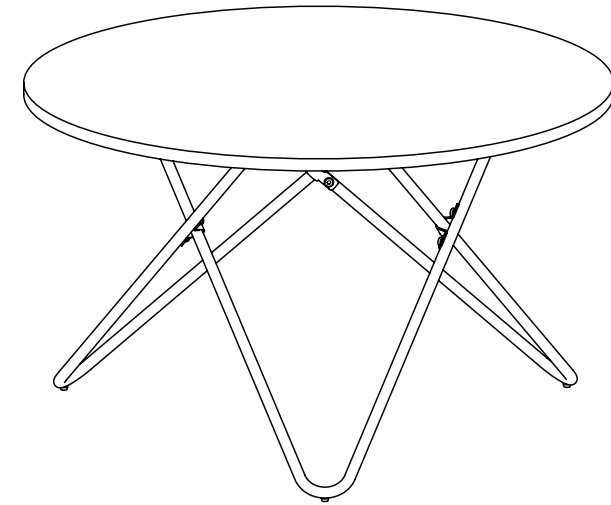
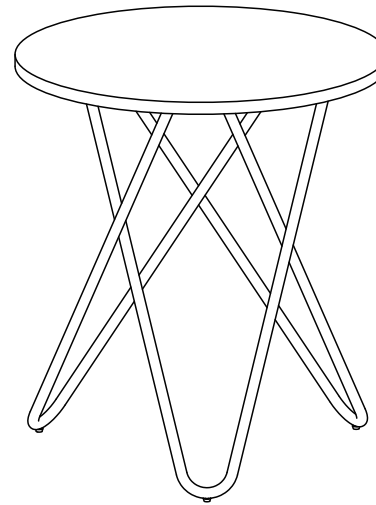
Lewis

Coffee Table - Set of 2



Phillips & Flathead screwdrivers required.

For quicker assembly, we recommend the use of a power drill on a low-speed setting.

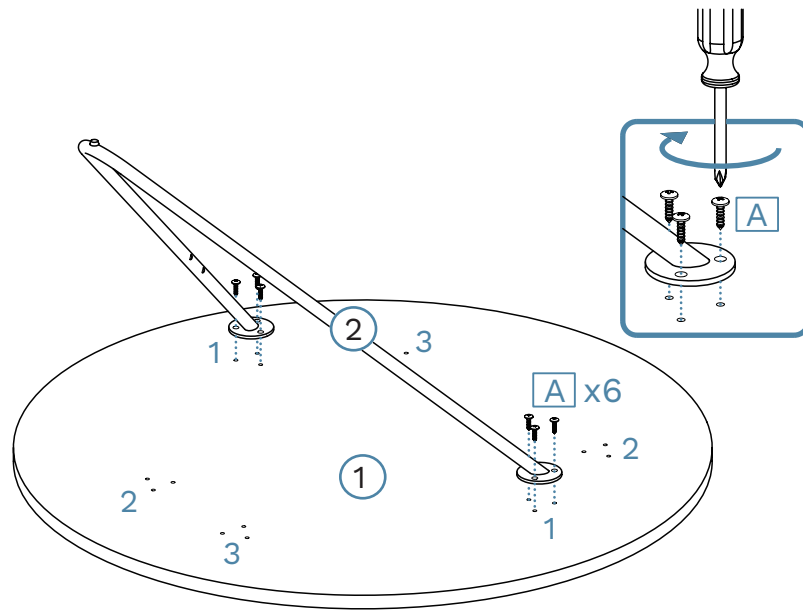


WARNING: Any furniture that is not anchored to a wall has the potential to tip over in certain circumstances, ie. if a child attempts to climb on the furniture or in the event of an earthquake. Accordingly, we recommend that all furniture is anchored to a wall. We supply a free safety wall anchor with all furniture sold and we recommend these are used to prevent your product tipping. The fixing device provided should fit most wall types, but please note that different wall materials may require different fixing devices from those supplied.

Lewis

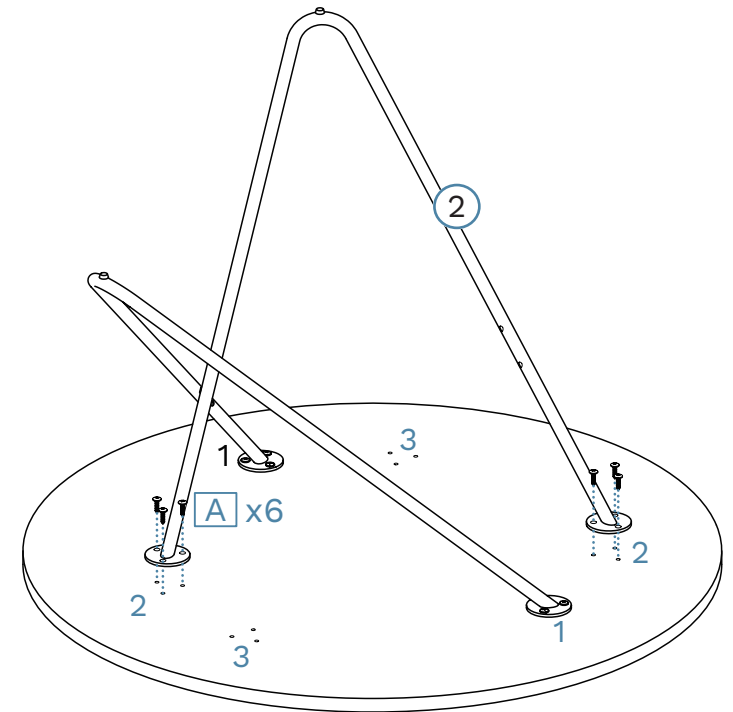
Coffee Table - Set of 2

1



Attach 1 x leg (2) to table (1) and secure with 6 x screws (A). Tighten with a screwdriver.

2

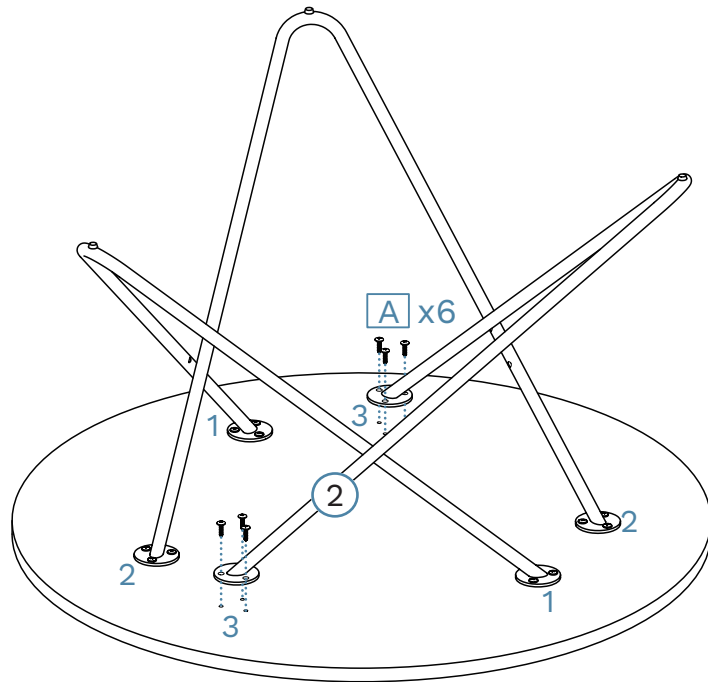


Attach 1 x leg (2) to table (1) and secure with 6 x screws (A). Tighten with a screwdriver.

Lewis

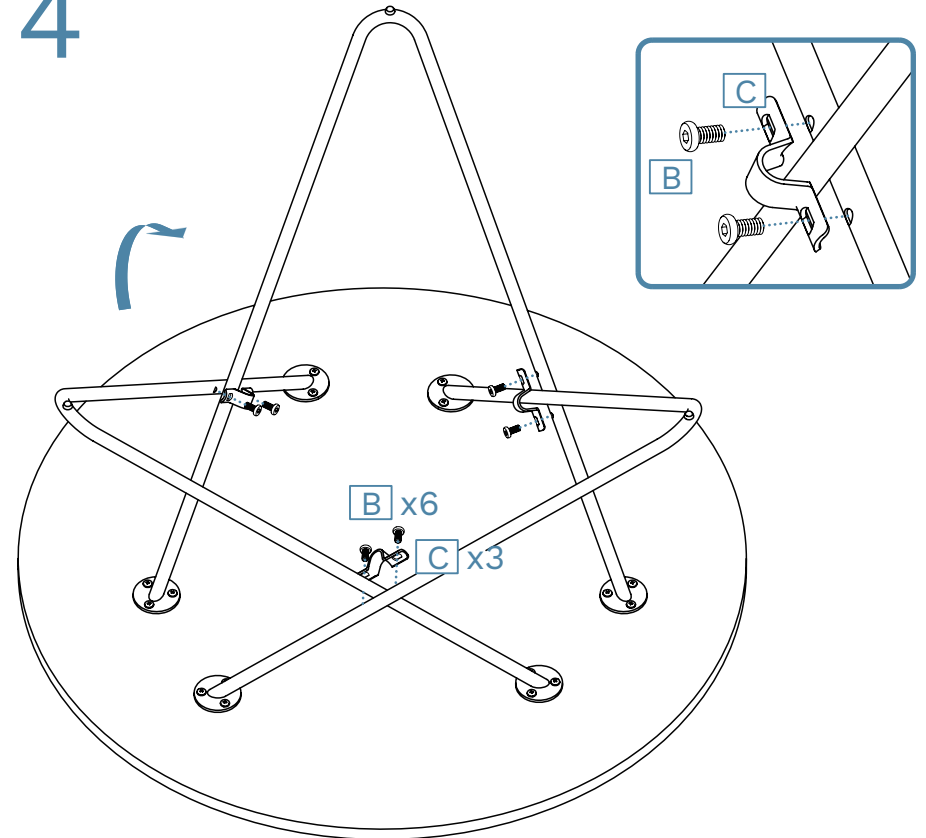
Coffee Table - Set of 2

3



Attach 1 x leg (2) to table (1) and secure with 6 x screws (A). Tighten with a screwdriver.

4

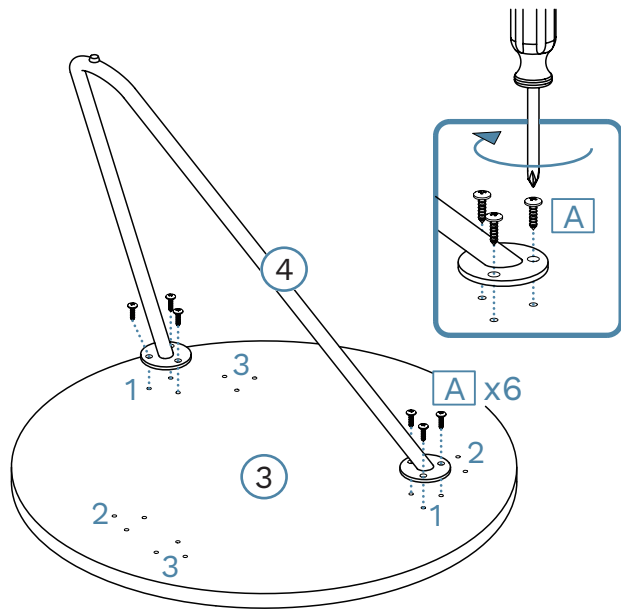


Attach 3 x fasteners to assembled frame as shown and secure with 6 x screws (B). Tighten with a screwdriver.

Lewis

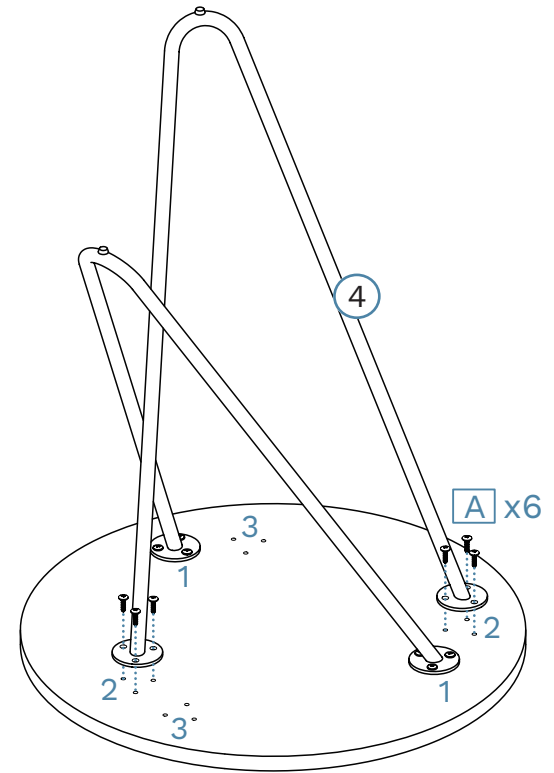
Coffee Table - Set of 2

5



Attach 1 x leg (4) to table (3) and secure with 6 x screws (A). Tighten with a screwdriver.

6

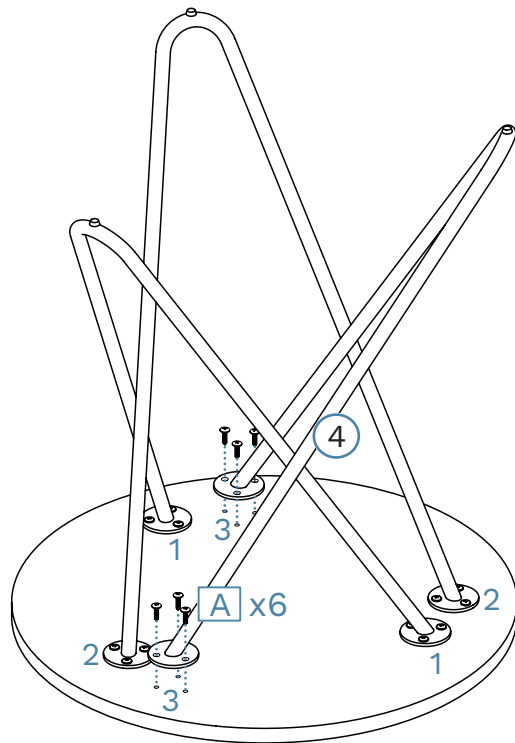


Attach 1 x leg (4) to table (3) and secure with 6 x screws (A). Tighten with a screwdriver.

Lewis

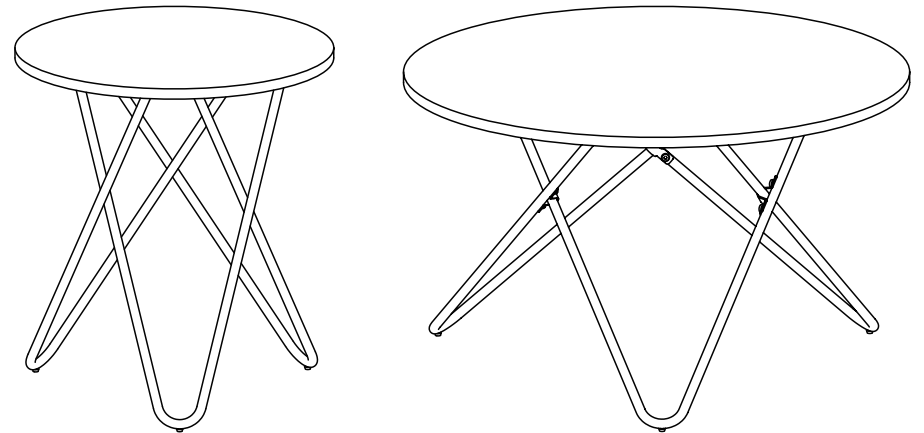
Coffee Table - Set of 2

7



Attach 1 x leg (4) to table (3) and secure with 6 x screws (A). Tighten with a screwdriver.

8



Once assembled lift furniture into place, do not drag. Ensure unit is balanced and steady before use. You're done, enjoy!