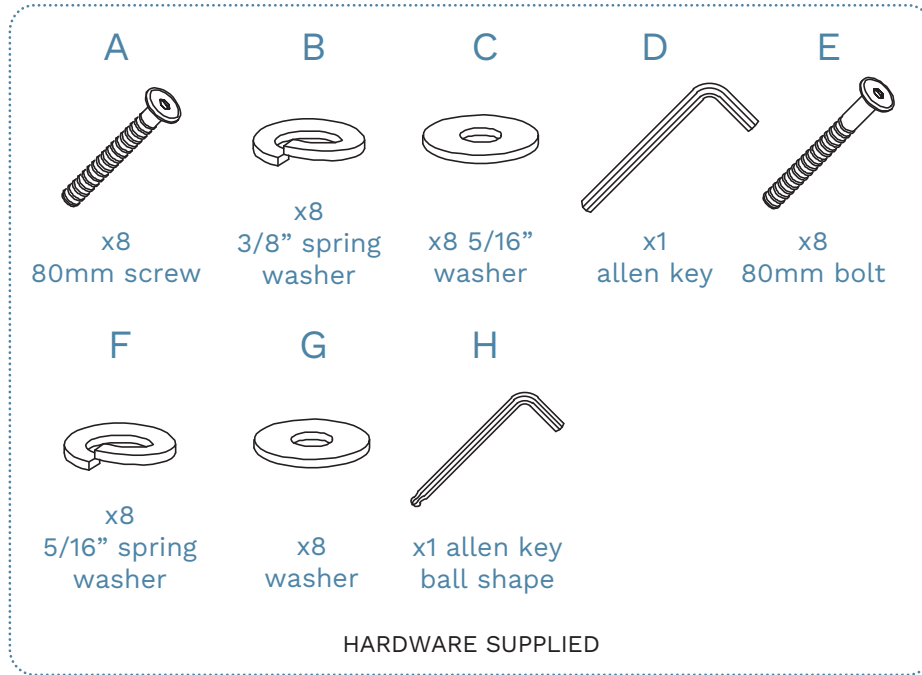


# Leon Dining Table

Thank you for purchasing Leon Dining Table. Please follow the manufacturer's assembly instructions in detail.



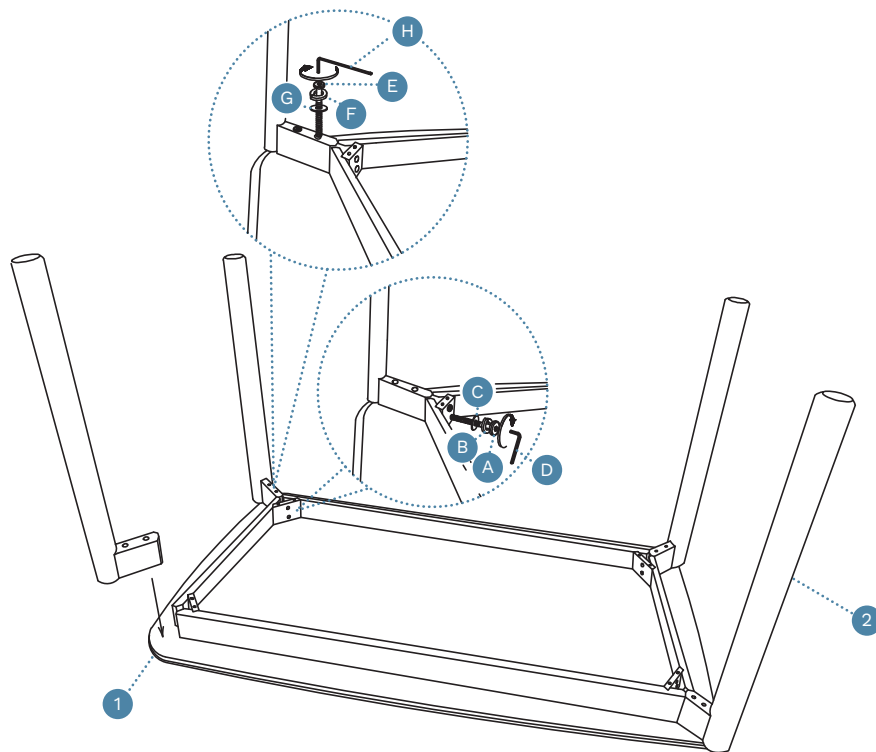
Read instruction carefully. Refer hardware and furniture parts list for guidance. Be sure all parts are complete, before assembling, place all wooden furniture part on a clean and flat soft surface to prevent scratches. Refer steps provided as assembling guide.

## CAUTION :

1. Do not FULLY-TIGHTEN the nuts or nut bolts until all are in place.
2. To prevent thread damage, ensure that nuts or nut bolts are not over tighten.
3. Hardware are to be kept out reach from children.

# Leon Dining Table

1



Attach 4 x table legs (2) to 1 x table top (1) and secure with 8 x 80mm screw (A), 8 x 3/8" spring washer (B), 8 x 5/16" washer (C), 8 x 80mm bolt (E), 8 x 5/16" spring washer (F) and 8 x washer (G). Tighten with an Allen Key (D) and Allen Key Ball Shape (H).

2



Once assembled lift furniture into place, do not drag. Ensure unit is balanced and steady before use. You're done, enjoy!