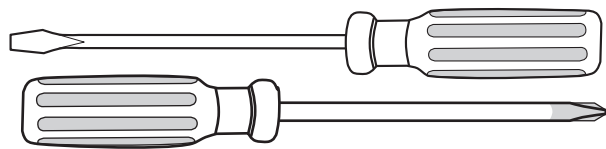
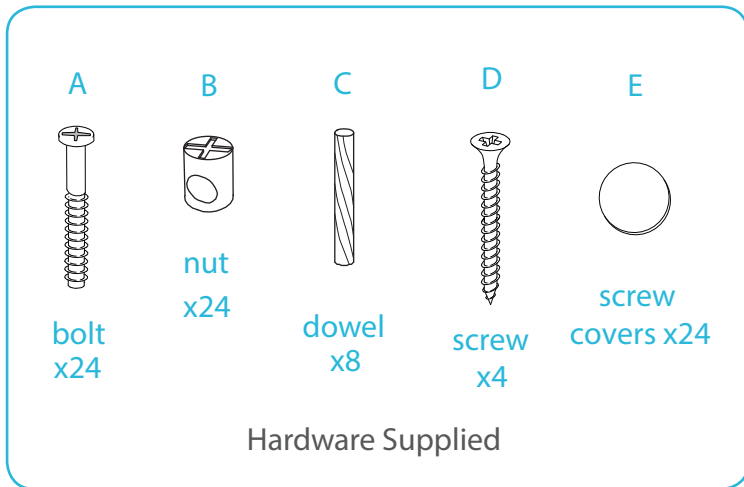


# Ladder Shelf

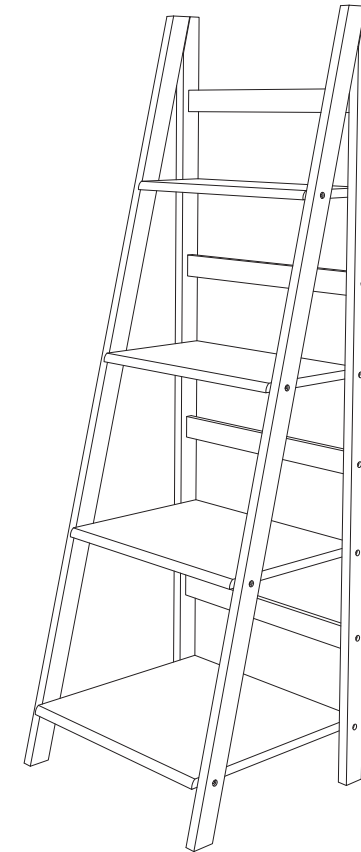
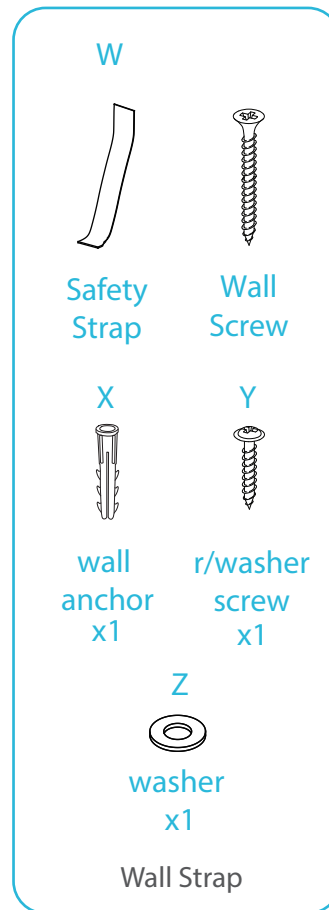
## Assembly Instructions

Thank you for your purchase.  
Please follow the instructions below for correct assembly.

# mocka



Phillips & Flathead screwdrivers required



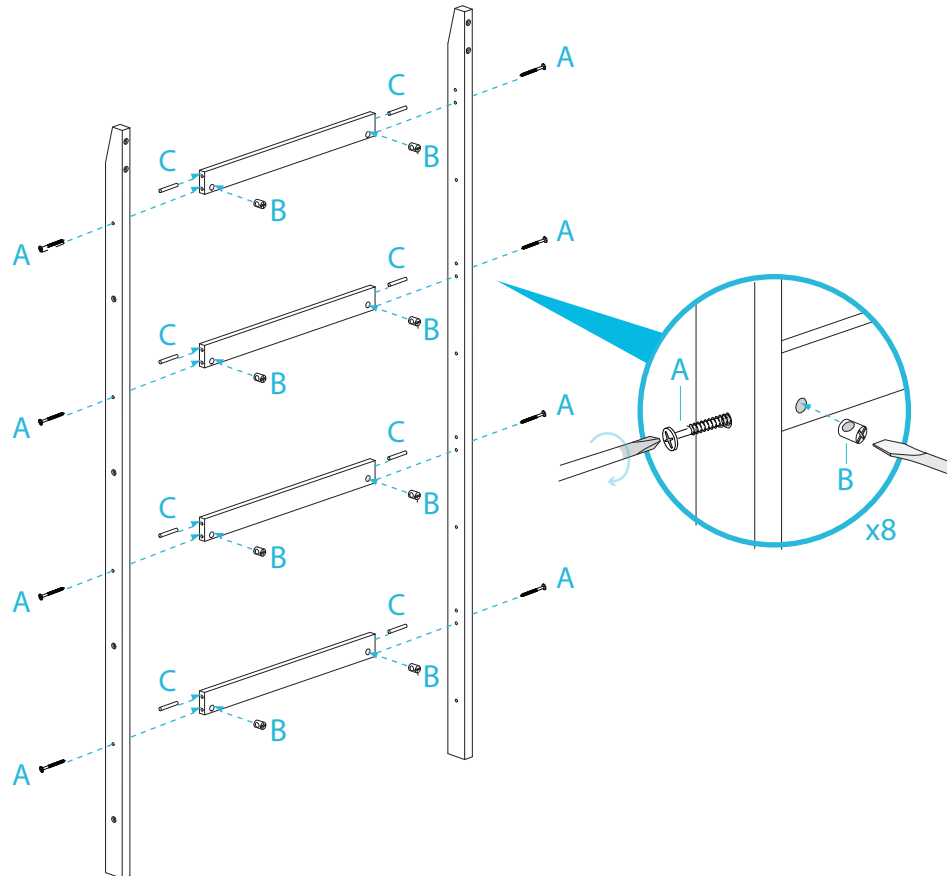
WARNING – This is not a ladder. Please do not climb or step on this product.

# Ladder Shelf

## Assembly Instructions

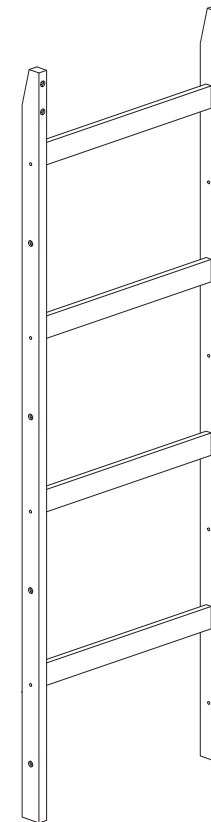
mocka

1



To begin, insert 2x dowels (C) and 2x nuts (B) into each ladder rung. Then attach each rung to the ladder rear sides using bolts (A).

2



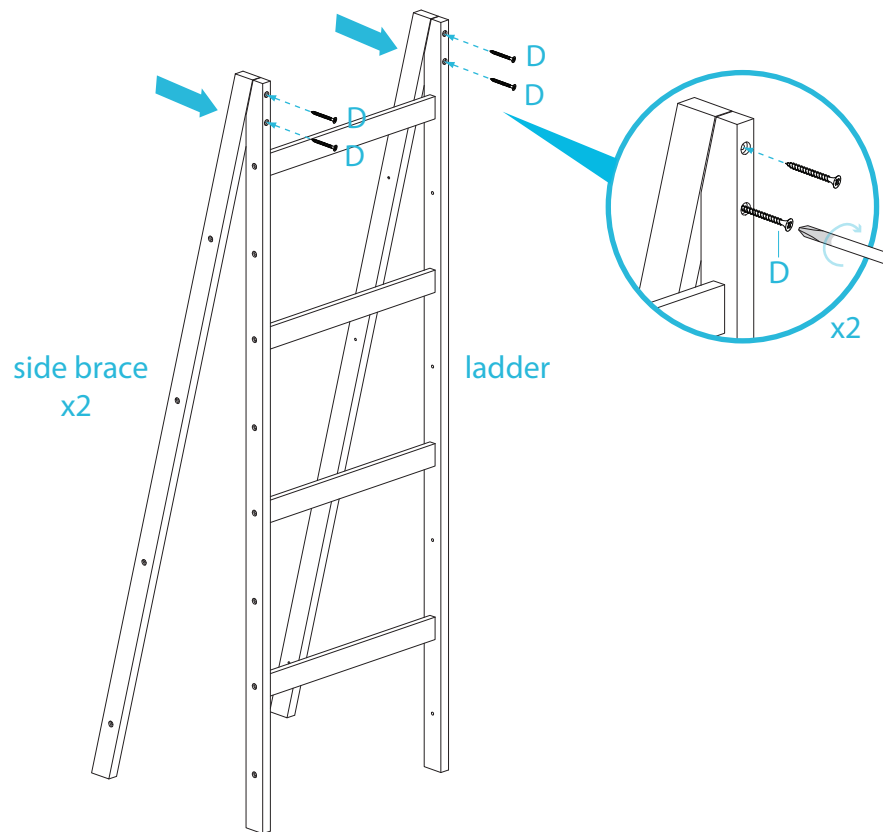
Ensure all bolt connections are tightened with a screwdriver.

# Ladder Shelf

## Assembly Instructions

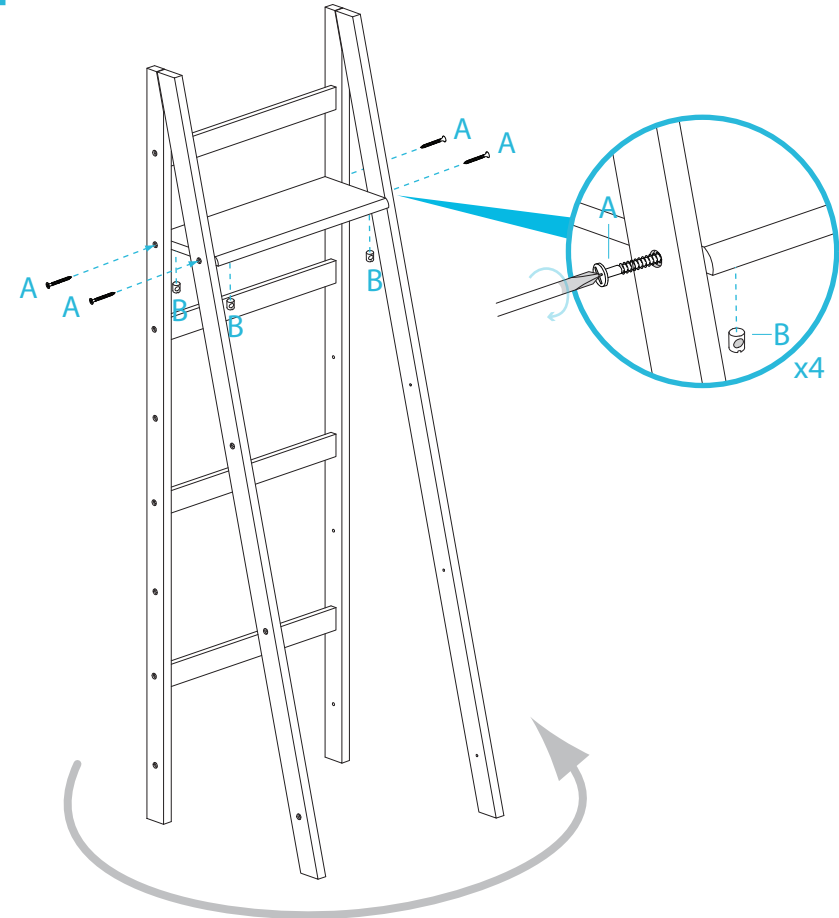
mocka

3



Attach the two side braces to the ladder using 4x screws (D). Tighten all screws with a screwdriver.

4



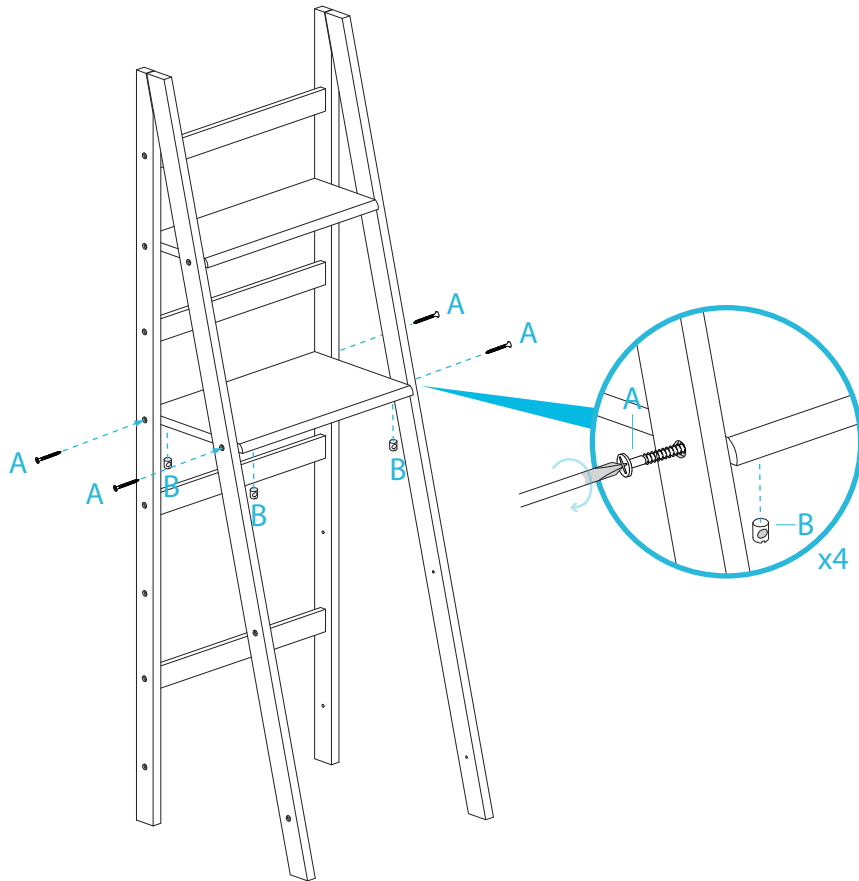
Rotate ladder shelf around. Fit the top panel into position between the two braces. Insert 4x nuts (B) into panel and fasten using 4x bolts (A). Tighten with a screwdriver.

# Ladder Shelf

## Assembly Instructions

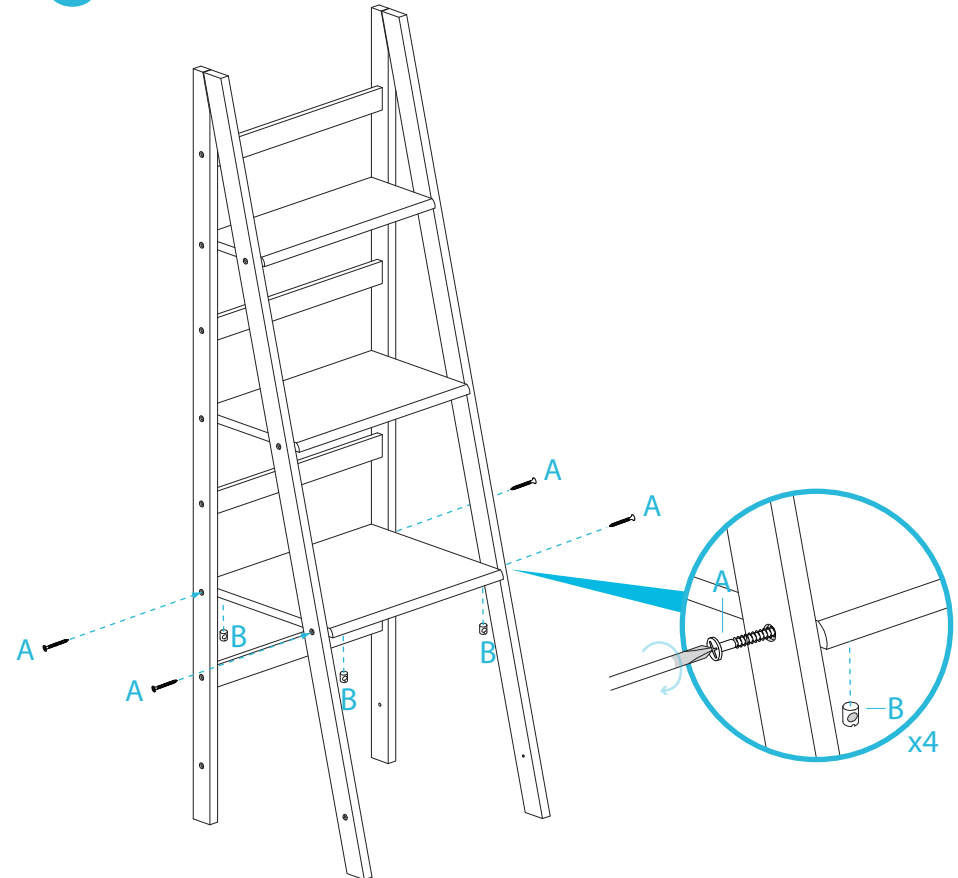
mocka

5



Fit the second panel into position between the two braces. Insert 4x nuts (B) into panel and fasten using 4x bolts (A). Tighten with a screwdriver.

6



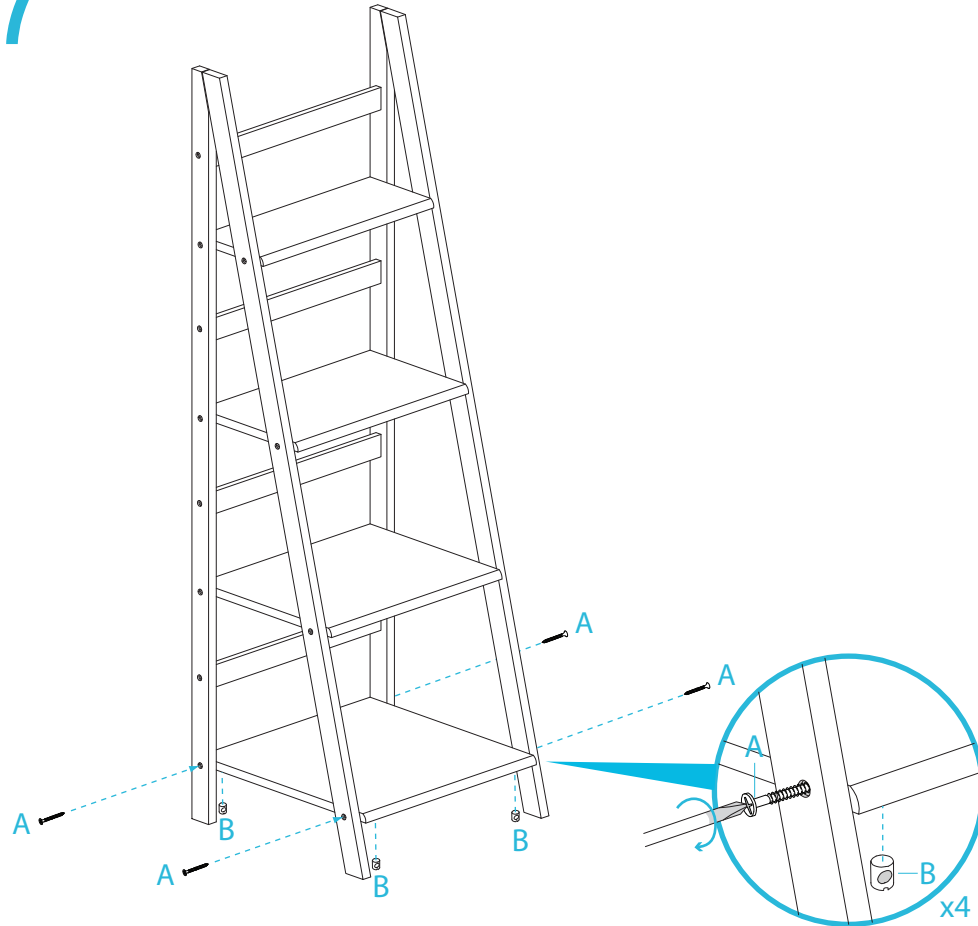
Fit the third panel into position between the two braces. Insert 4x nuts (B) into panel and fasten using 4x bolts (A). Tighten with a screwdriver.

# Ladder Shelf

## Assembly Instructions

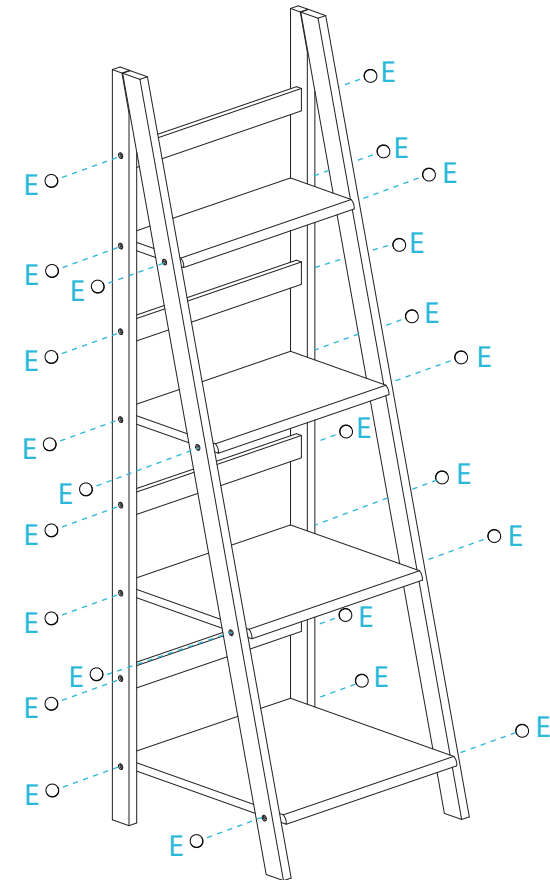
mocka

7



Fit the bottom panel into position between the two braces. Insert 4x nuts (B) into panel and fasten using 4x bolts (A). Tighten with a screwdriver.

8



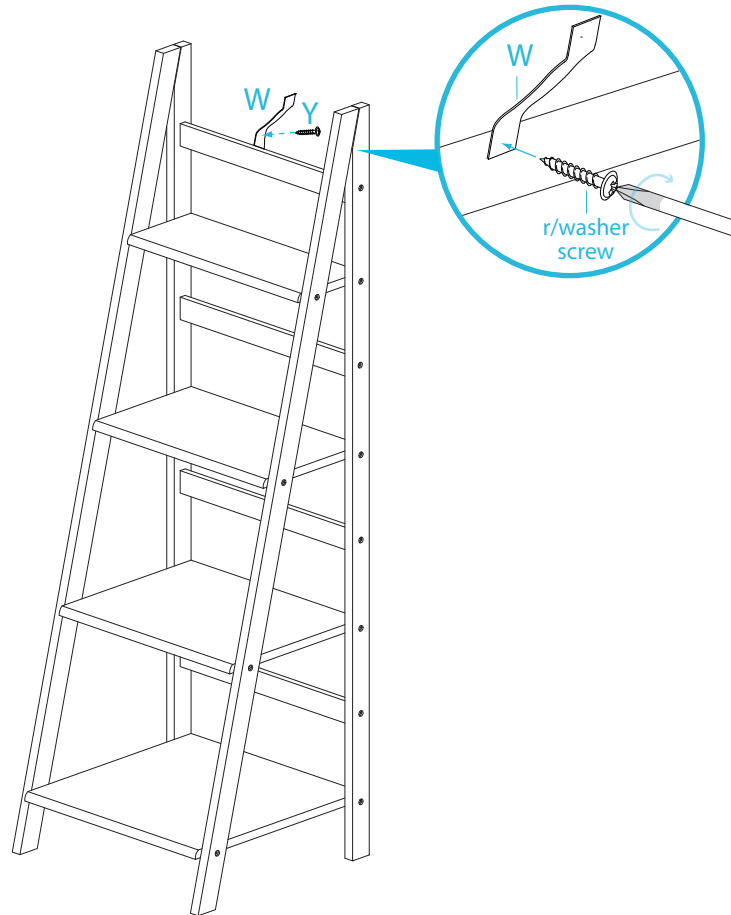
Ensure all screws and bolts are securely tightened before and during use. Cover the screw holes with 24x screw covers (E).

# Ladder Shelf

## Assembly Instructions

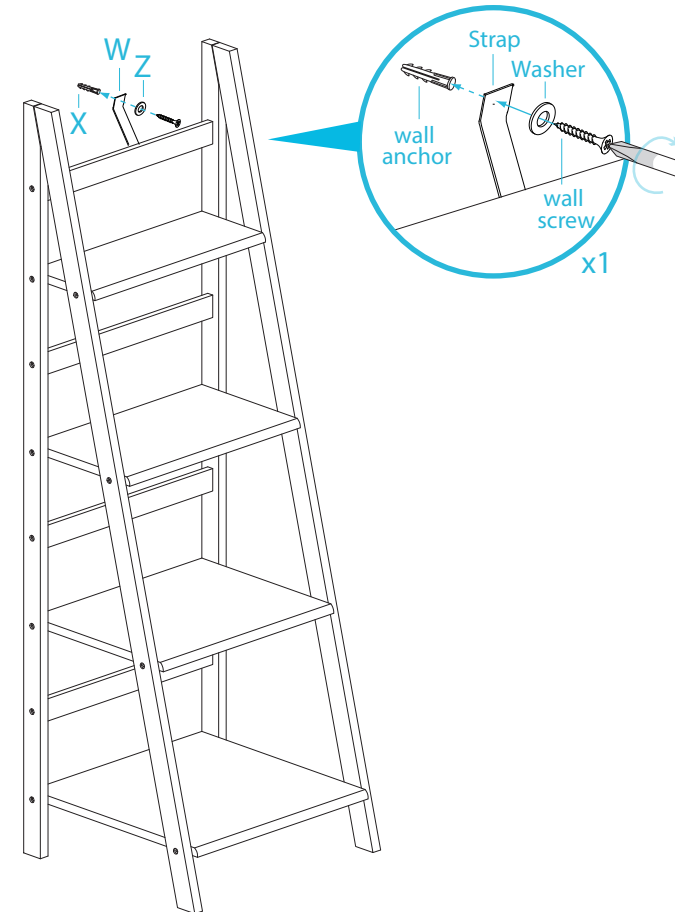
mocka

### 9 Wall Strap



Once assembled lift furniture into place, do not drag. Attach safety strap (W) to the top of the back side of the ladder using screw (Y). Tighten with a screwdriver.

### 10



Move the ladder into the desired location up against a wall. Use a drill to create a small hole lining up with the top of the safety strap (W). Fasten to wall using wall anchor (X), washer (Z) and a wall screw. Ensure unit is balanced and steady before use. You're done, enjoy!