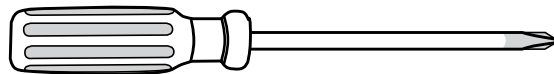
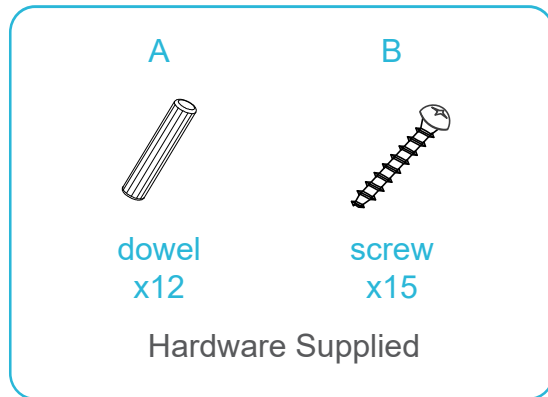


Kids Washing Machine

Assembly Instructions

Thank you for your purchase.
Please follow the instructions below for correct assembly.



Phillips screwdriver required.

For quicker assembly, we recommend the use of a power drill on a low-speed setting.

WARNING!

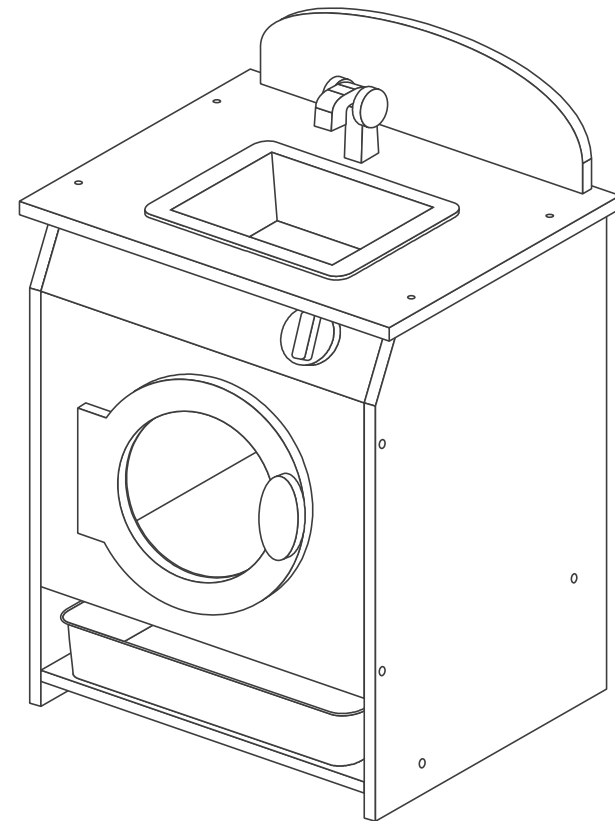
Not suitable for children under 2 years of age

WARNING - Small parts are used to assemble the Kids Washing Machine.

Only an adult should assemble the Kids Washing Machine.

Keep all assembly parts away from small children.

mocka

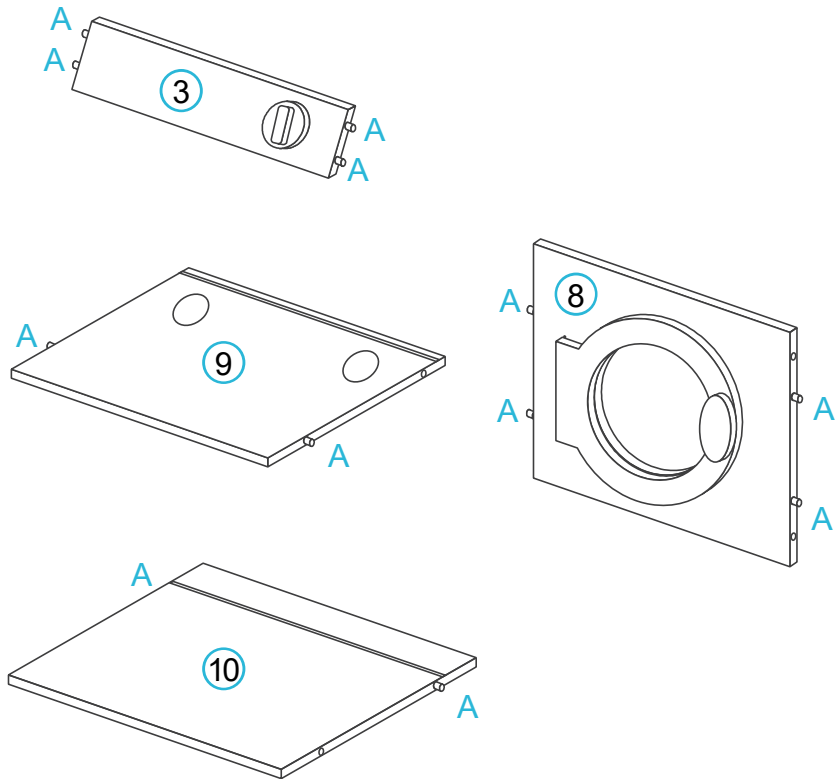


Kids Washing Machine

Assembly Instructions

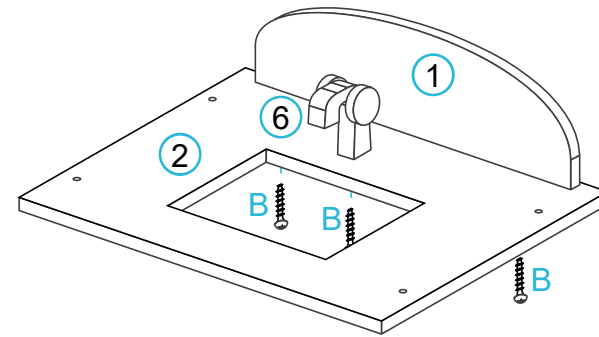
mocka

1



Insert 4 x dowels (A) into panel [3], 2 x dowels (A) into panel [9], 4 x dowels (A) into panel [8] and 2 x dowels (A) into panel [10].

2



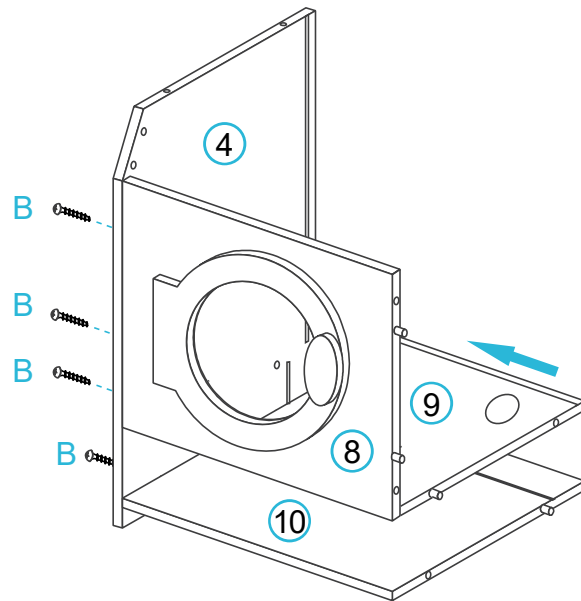
Attach panel [1] to panel [2] and secure with 2 x screws (B). Attach panel [6] to panel [2] and secure with 1 x screw (B). Tighten with a screwdriver.

Kids Washing Machine

Assembly Instructions

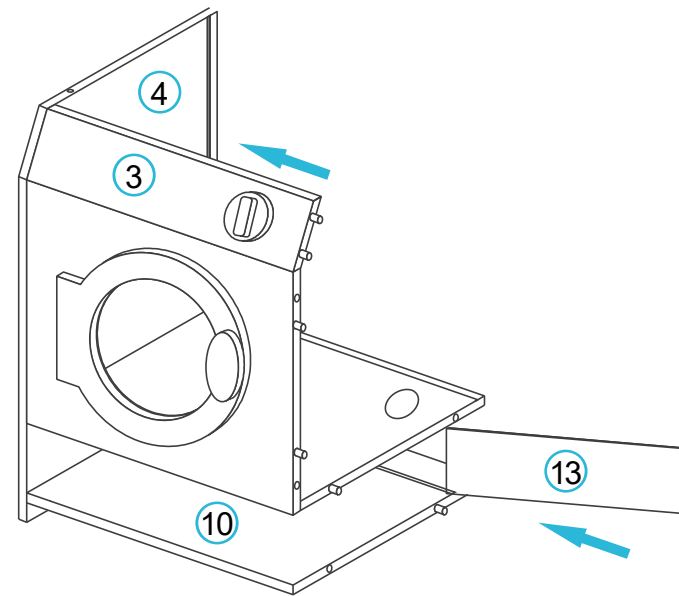
mocka

3



Attach panel [4], panel [8], panel [9] and panel [10] and secure with 4 x screws (B). Tighten with a screwdriver.

4



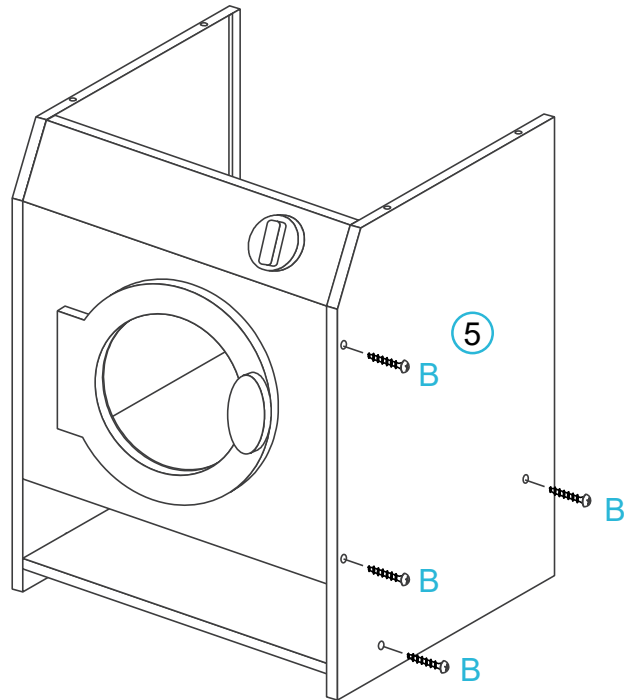
Attach panel [3] to panel [4] as shown. Slide panel [13] into grooves between panels [9] and [10] as shown.

Kids Washing Machine

Assembly Instructions

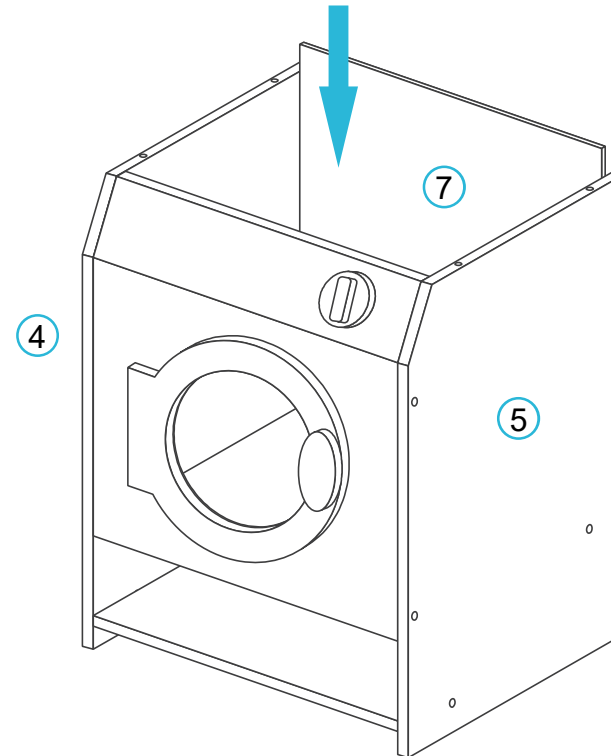
mocka

5



Attach panel [5] to assembled section as shown and secure with 4 x screws (B). Tighten with a screwdriver.

6



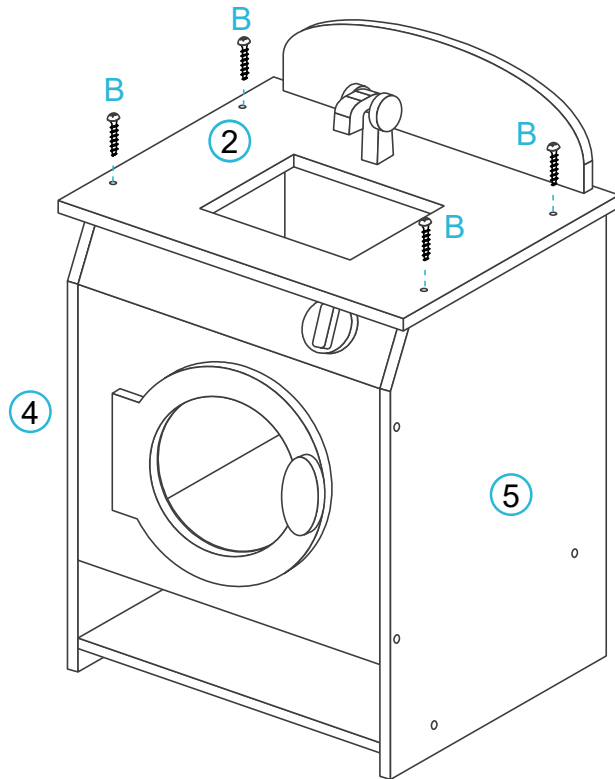
Slide panel [7] into groove between panel [4] and panel [5] as shown.

Kids Washing Machine

Assembly Instructions

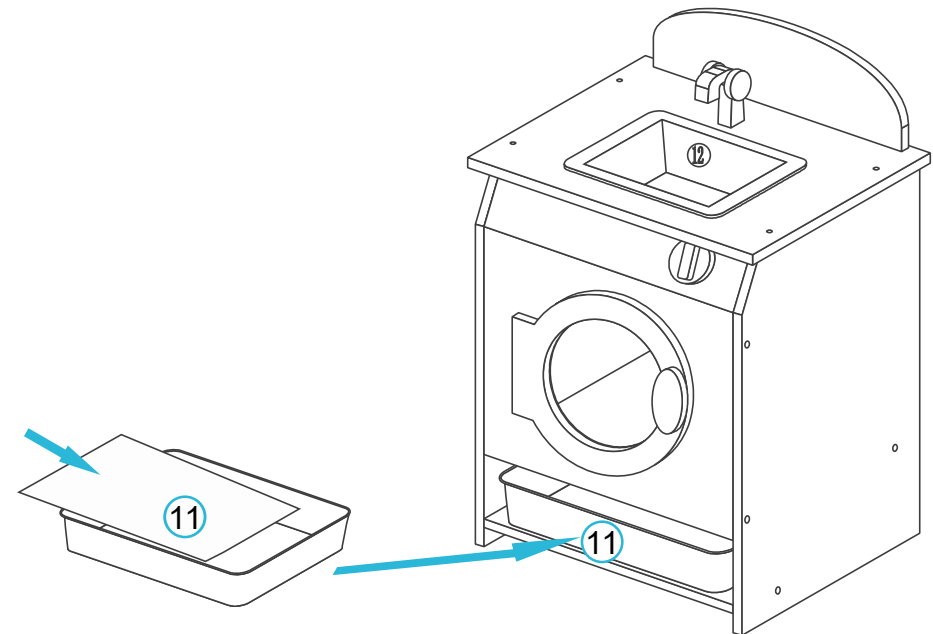
mocka

7



Attach panel [2] to panels [4] and [5] and secure with 4 x screws (B). Tighten with a screwdriver.

8



Insert the base of the tray [11] into the tray as shown and slide it into place. Ensure the unit is balanced and steady before use. Lift into place, do not drag. You're done, enjoy!