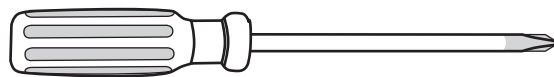
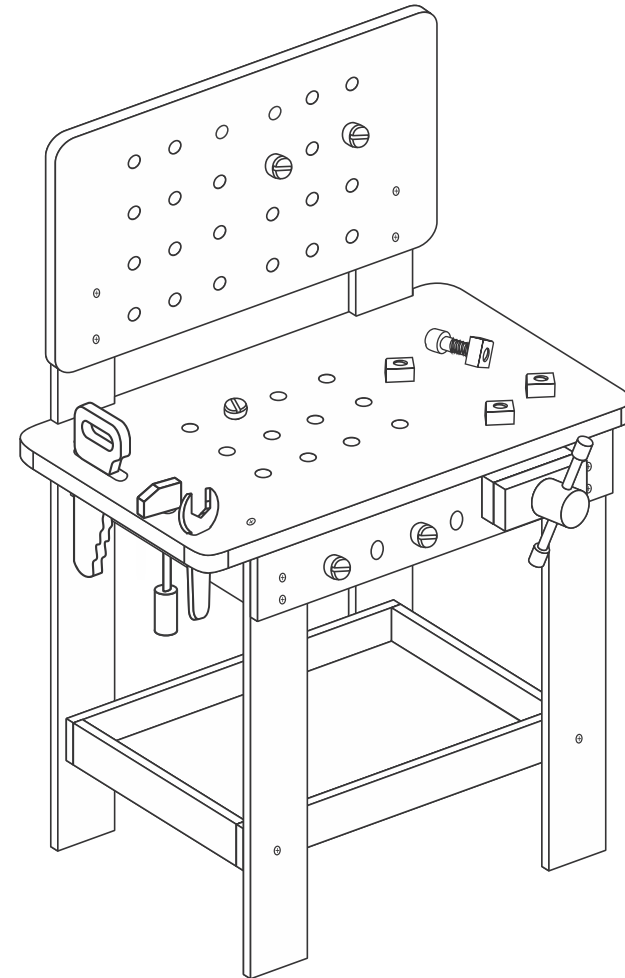
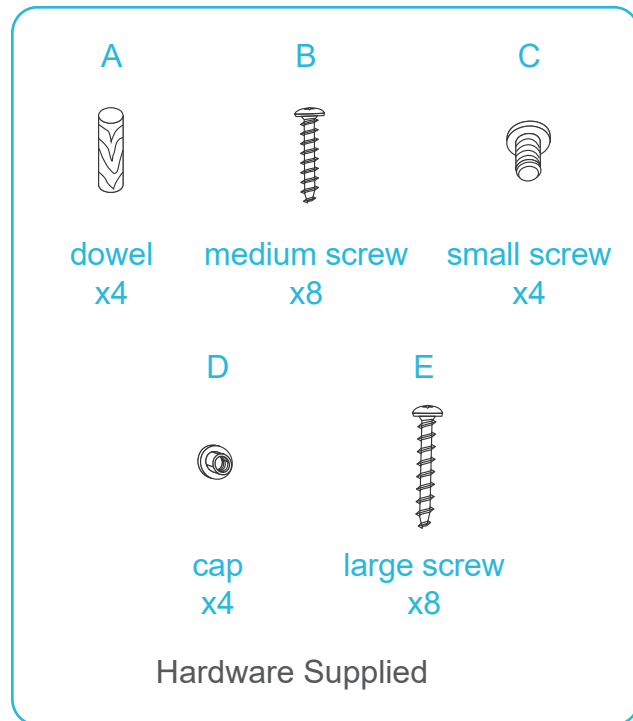


# Kids Tool Bench

## Assembly Instructions

Thank you for your purchase.  
Please follow the instructions below for correct assembly.

# mocka



Phillips screwdriver required.

For quicker assembly, we recommend the use of a power drill on a low-speed setting.

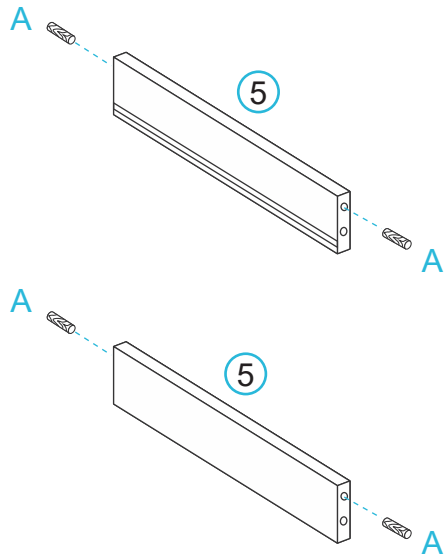
**WARNING:** Recommended for ages 2+. Small parts are used to assemble the Mocka Kids Tool Bench and should only be assembled by an adult. Keep all assembly parts away from small children.

# Kids Tool Bench

## Assembly Instructions

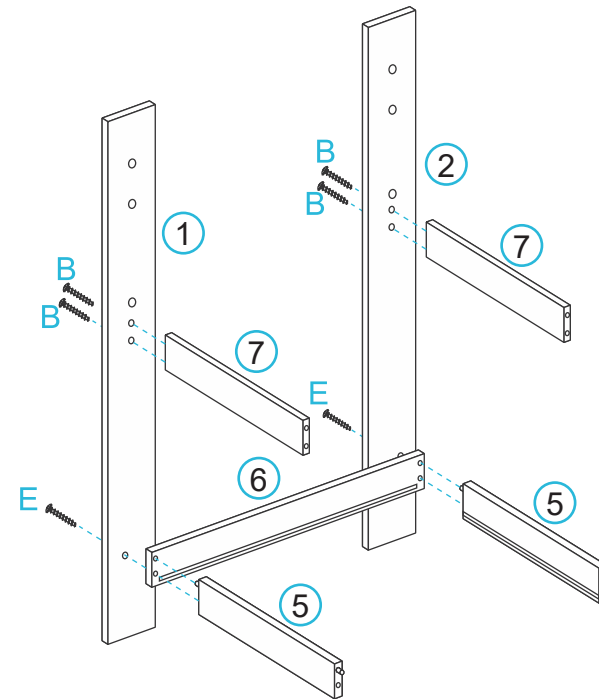
mocka

1



Insert 4 x dowels (A) into panels [5] as shown.

2



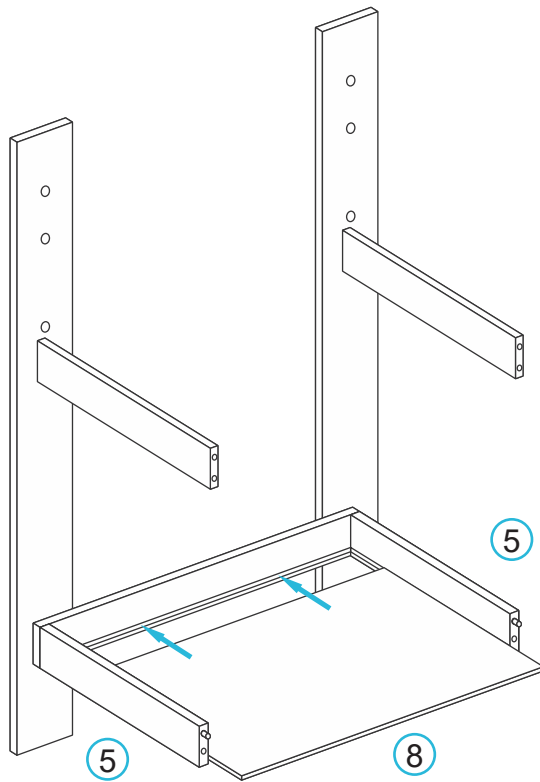
Attach panels [5] and [6] to panels [1] and [2] and secure with 2 x large screws (E). Attach panels [7] to panels [1] and [2] and secure with 4 x medium screws (B). Tighten with a screwdriver.

# Kids Tool Bench

## Assembly Instructions

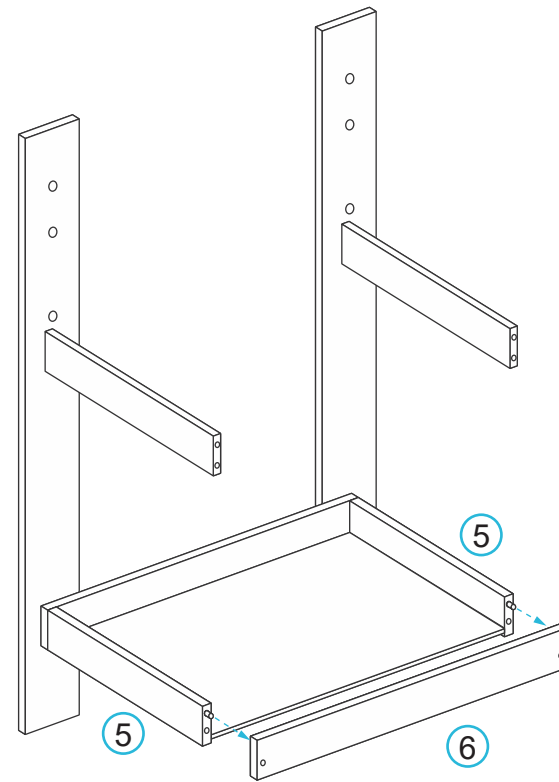
mocka

3



Slide panel [8] between panels [5] as shown.

4



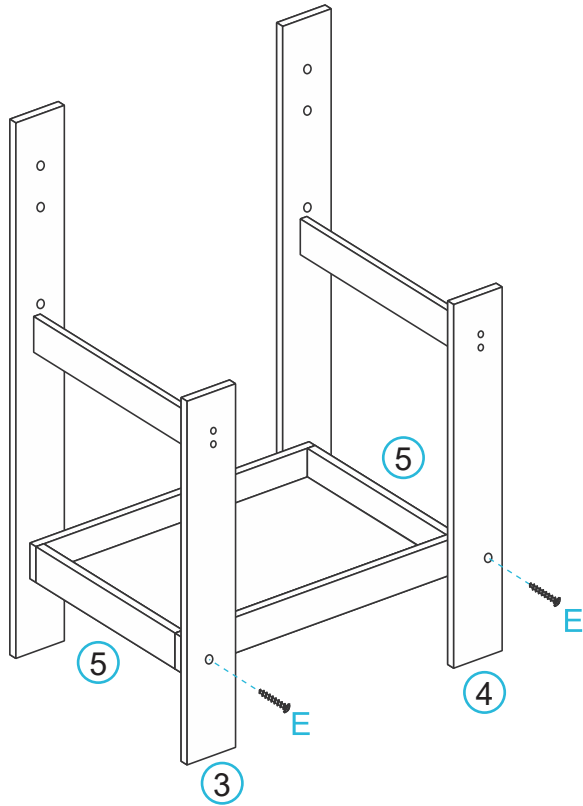
Attach panel [6] to panels [5] as shown.

# Kids Tool Bench

## Assembly Instructions

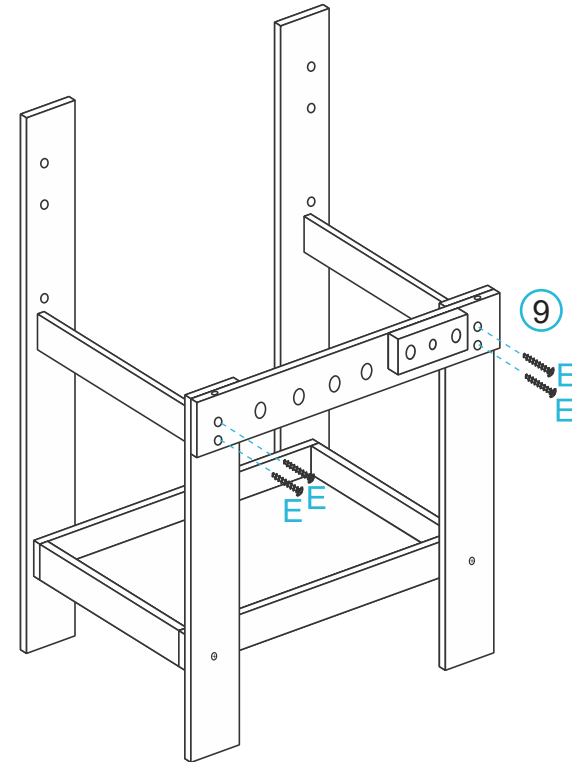
mocka

5



Attach panels [3] and [4] to panels [5] and secure with 2 x large screws (E). Tighten with a screwdriver.

6



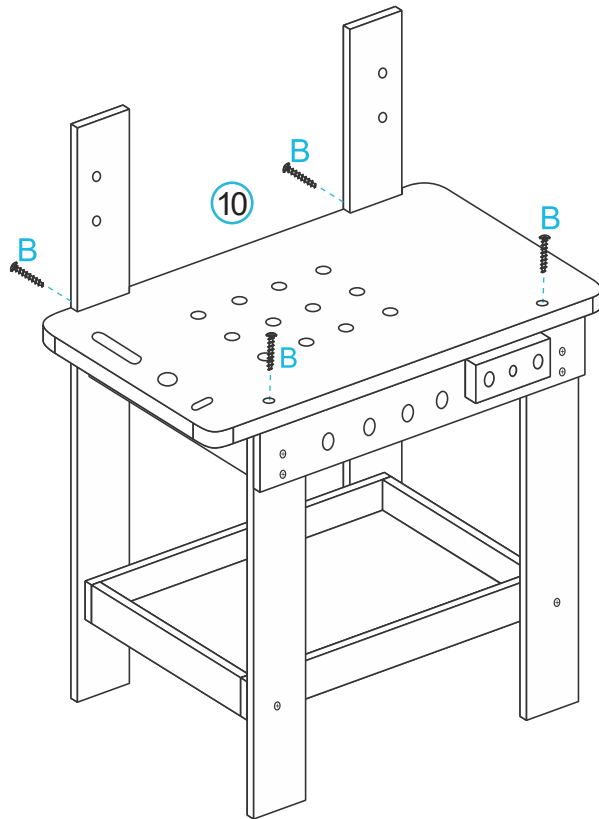
Attach panel [9] to assembled frame as shown and secure with 4 x large screws (E). Tighten with a screwdriver.

# Kids Tool Bench

## Assembly Instructions

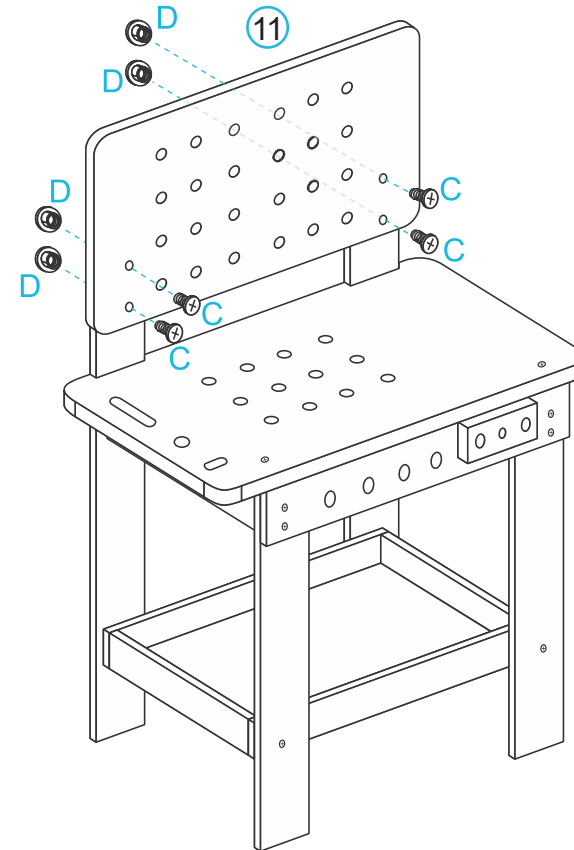
mocka

7



Attach panel [10] to assembled frame as shown and secure with 4 x medium screws (B). Tighten with a screwdriver.

8



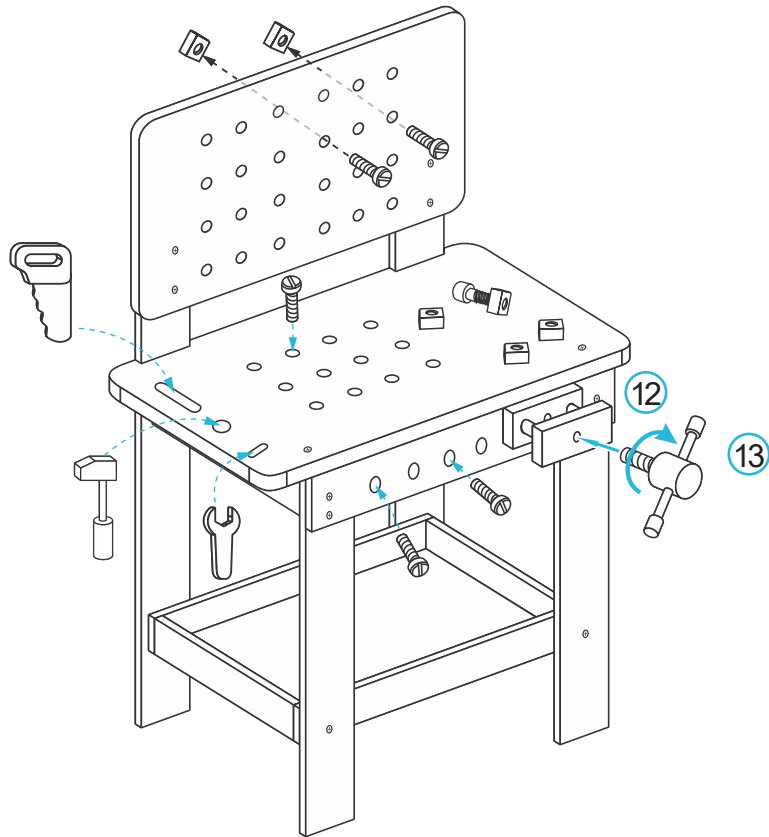
Attach panel [11] to assembled frame as shown and secure with 4 x small screws (C) and 4 x caps (D). Tighten with a screwdriver.

# Kids Tool Bench

## Assembly Instructions

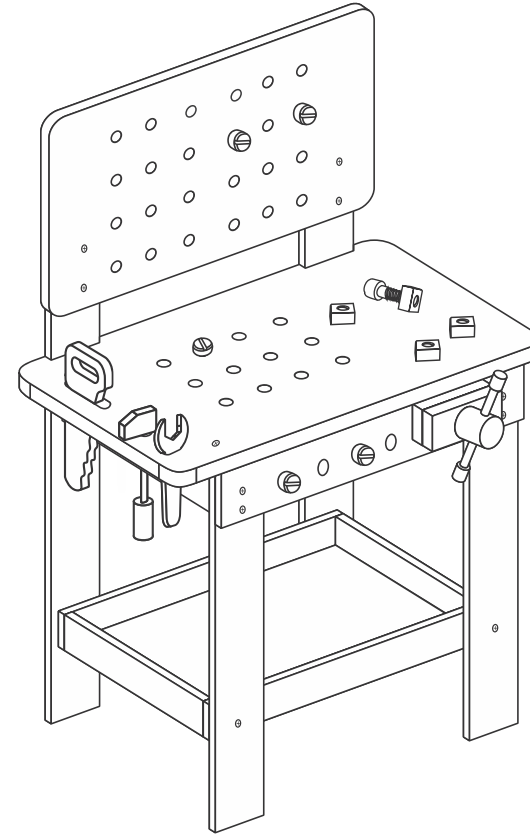
mocka

9



Attach panels [12] and [13] to assembled frame and organise tools as shown.

10



Once assembled lift furniture into place, do not drag. You're done, enjoy!