

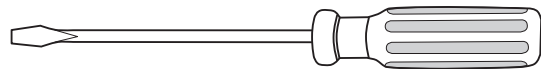
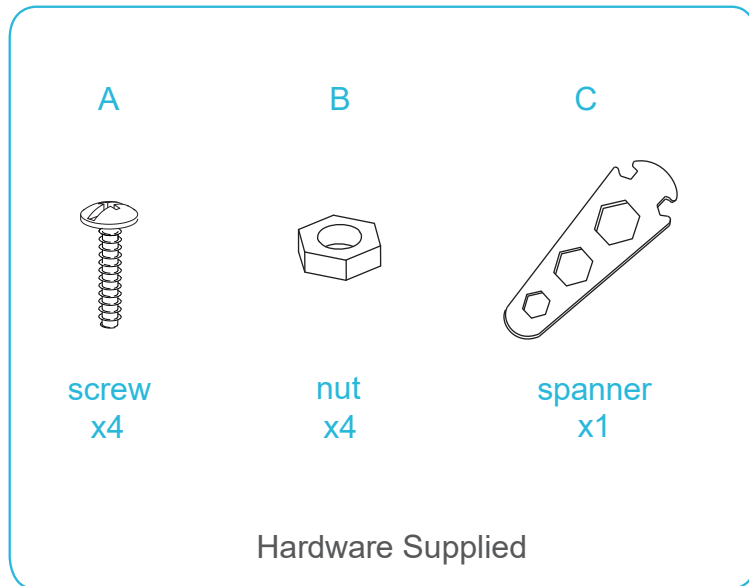
# Kids Steel Wheelbarrow

## Assembly Instructions

Thank you for your purchase.  
Please follow the instructions below for correct assembly.

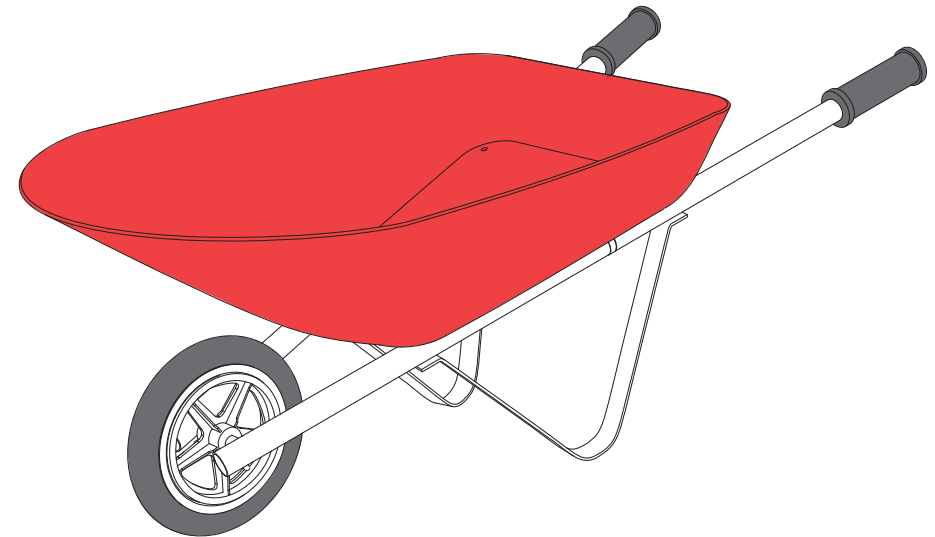
# mocka

Suitable for ages 12 months +



Flathead screwdriver required.

ALL nuts and bolts must be checked and tightened before first use. Regularly check all screws are tight to ensure safety.



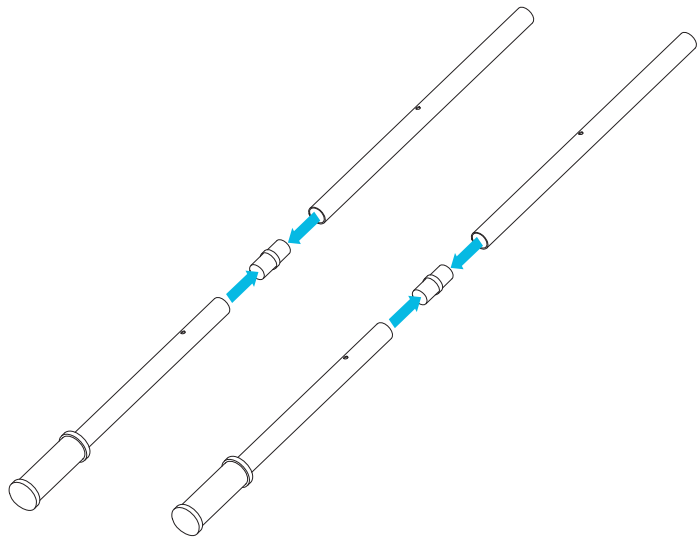
**Warning:** Small parts are used to assemble the Kids Steel Wheelbarrow and should only be assembled by an adult. Keep all assembly parts away from small children.

# Kids Steel Wheelbarrow

## Assembly Instructions

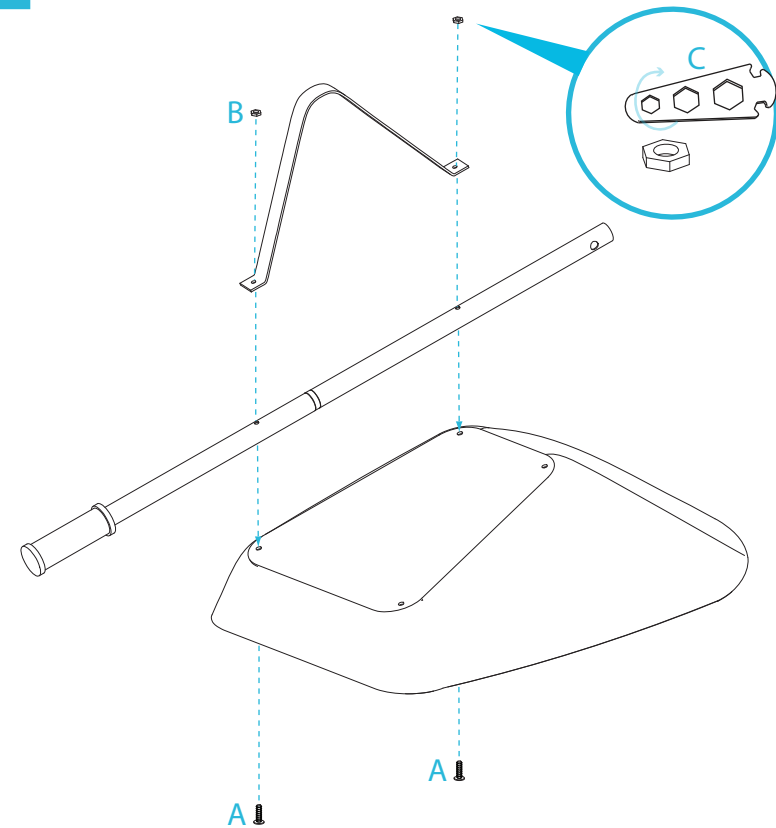
mocka

1



Firstly join together the two handle rods using the plastic connector as shown. Repeat step for the second handle.

2



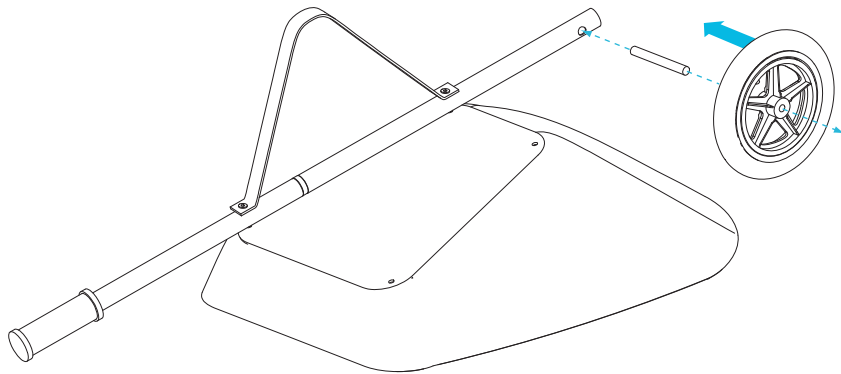
Next attach one wheelbarrow leg piece and one handle rod to the wheelbarrow tray using 2x bolts (A) inside the tray and fasten securely with 2x nuts (B). Tighten with spanner (C).

# Kids Steel Wheelbarrow

## Assembly Instructions

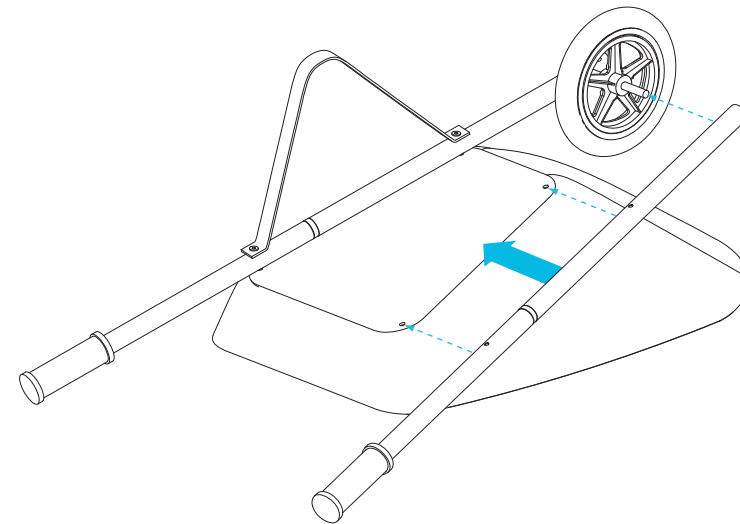
mocka

3



Slot the wheel on to the middle of the axle piece and insert into the hole at the end of the handle rod as shown.

4



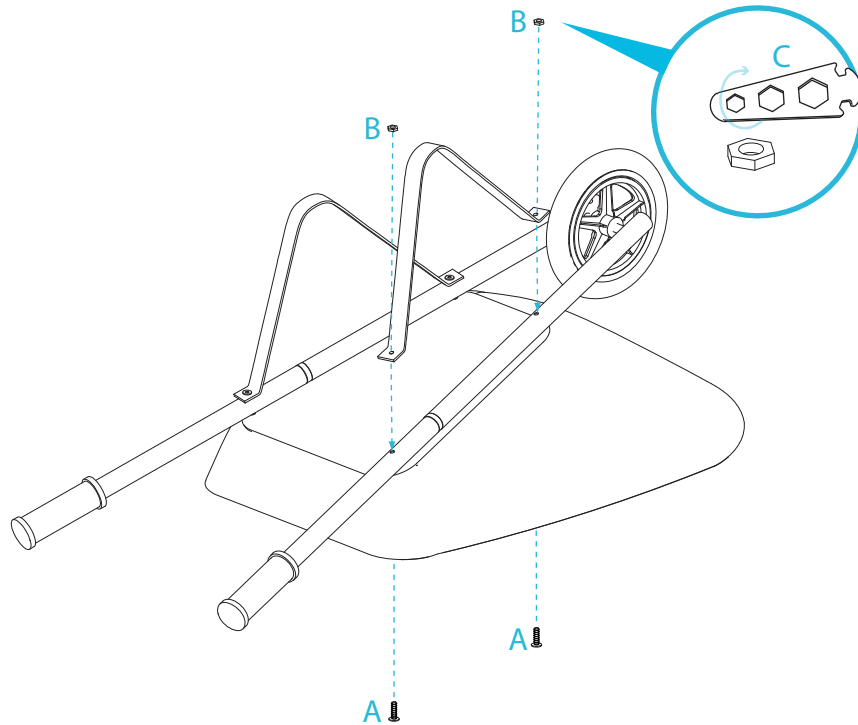
Slot the second handle piece on to the wheel axle and position in place over the holes in the underside of the wheelbarrow tray

# Kids Steel Wheelbarrow

## Assembly Instructions

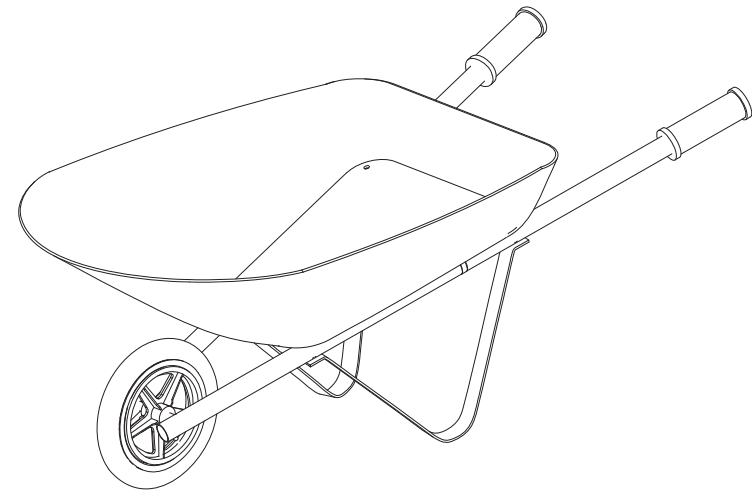
mocka

5



Attach the second wheelbarrow leg piece and handle rod to the wheelbarrow tray using 2x bolts (A) inside the tray and fasten securely with 2x nuts (B). Tighten with spanner (C).

6



Use the spanner (C) and flathead screwdriver to tighten all bolts and regularly check these are tight to ensure safety. You're done, enjoy!