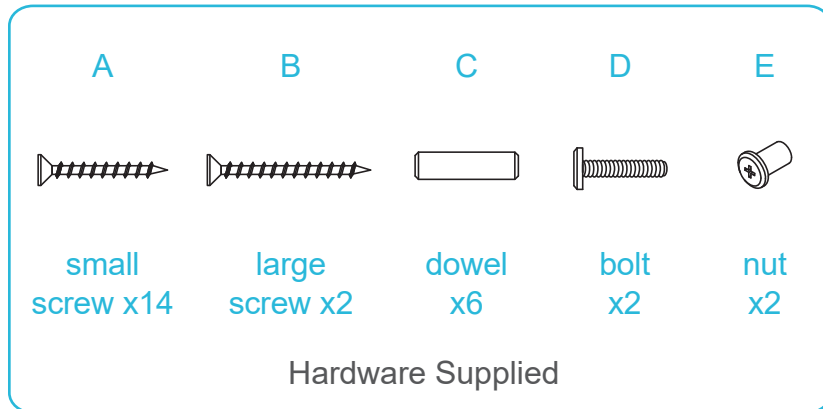


Kids Shopping Trolley

Assembly Instructions

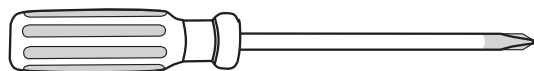
Thank you for your purchase.
Please follow the instructions below for correct assembly.

mocka



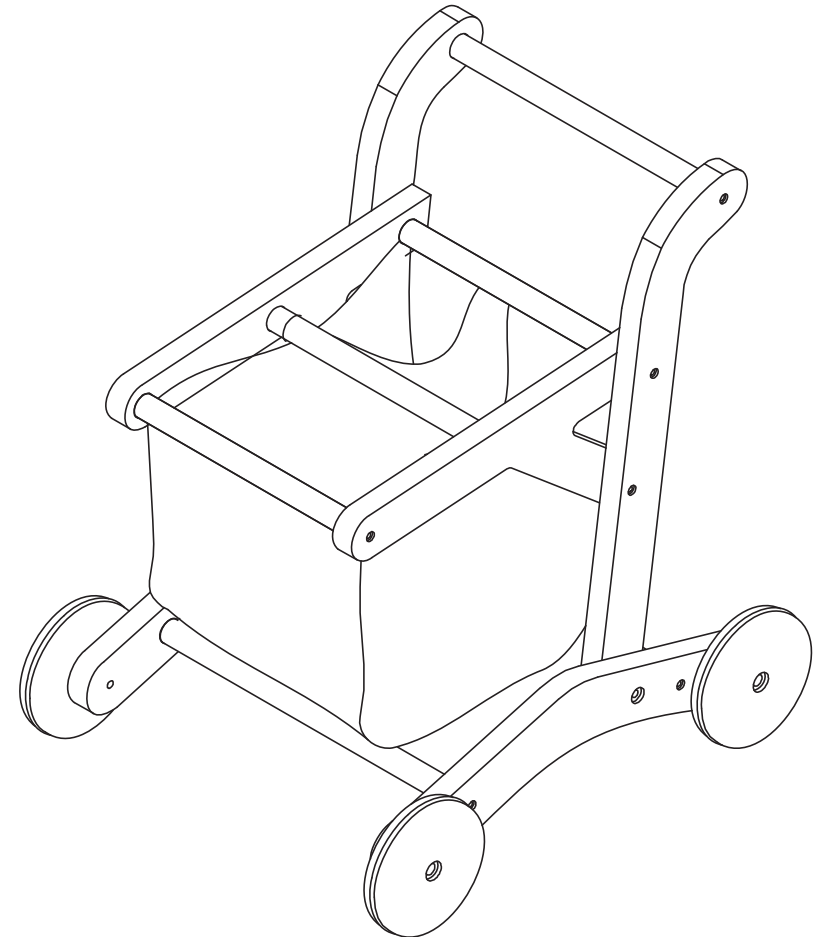
WARNING:

Recommended age 18 months +.
Assembly should be by an adult only.
The parts of the Kids Shopping Trolley in their unassembled state contain potentially hazardous small parts and sharp points.
This toy is not intended to be used close to swimming pools, stairs, roadways, hills, streets or inclines.
Keep away from fire.
Children under 36 months need to be supervised by an adult at all times.



Phillips screwdriver required

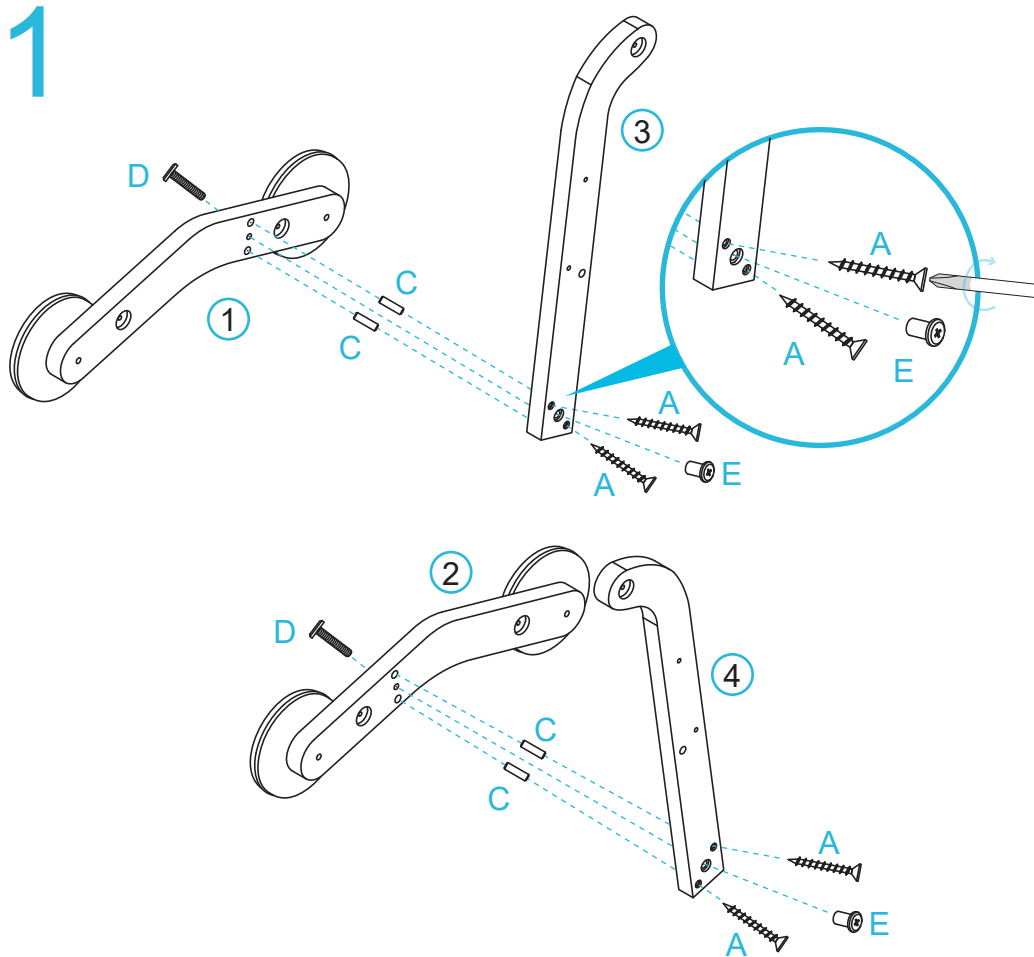
For quicker assembly, we recommend the use of a power drill on a low-speed setting.



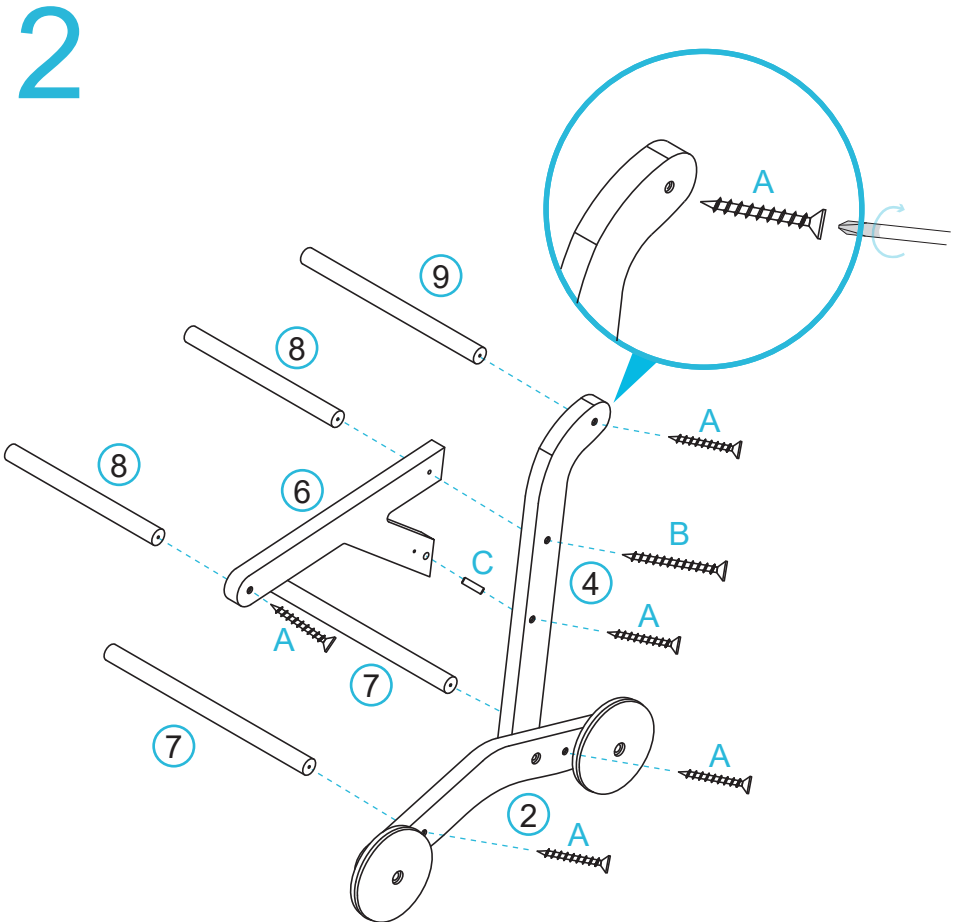
Kids Shopping Trolley

Assembly Instructions

mocka



Attach right base [1] to right arm [3] with 2 x dowels (C) and secure with 1 x bolt (D), 1 x nut (E) and 2 x small screws (A). Attach left base [2] to left arm [4] with 2 x dowels (C) and secure with 1 x bolt (D), 1 x nut (E) and 2 x small screws (A). Tighten with a screwdriver.



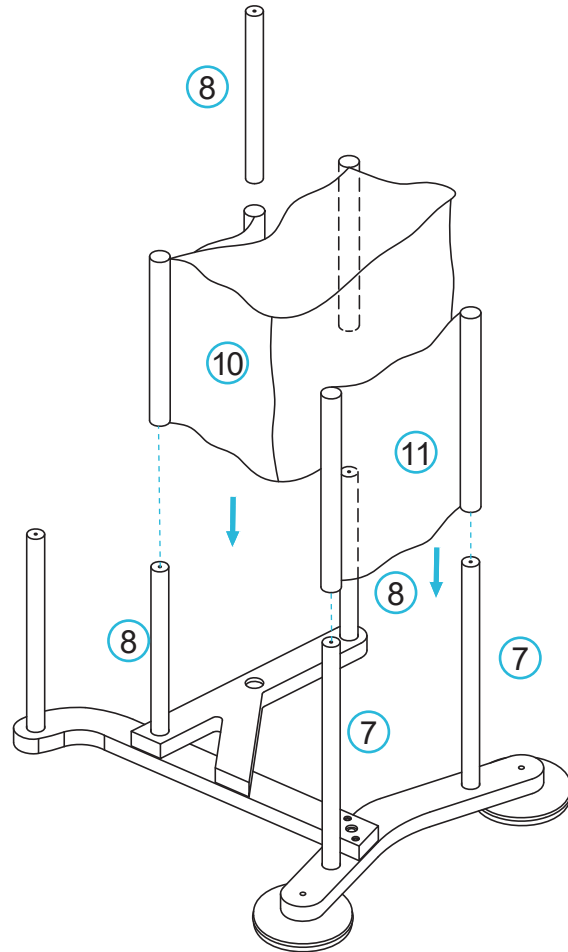
Attach panels [6], [7], [8] and [9] to panels [2] and [4] with 1 x dowel (C) and secure with 5 x small screws (A) and 1 x large screw (B). Tighten with a screwdriver.

Kids Shopping Trolley

Assembly Instructions

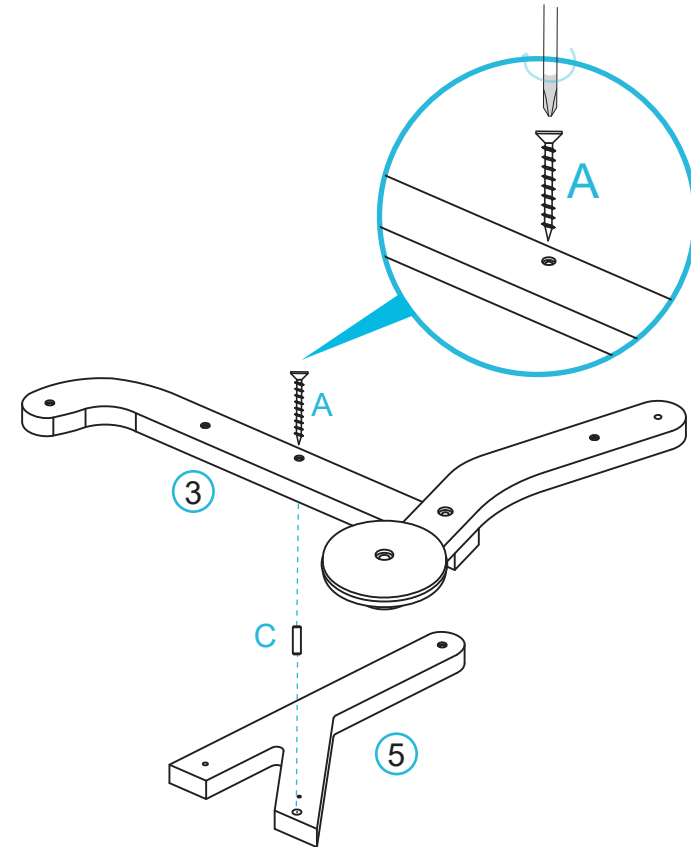
mocka

3



Gently slide bag [10] over panel [8] as shown. Gently slide base [11] over panel [8] as shown.

4



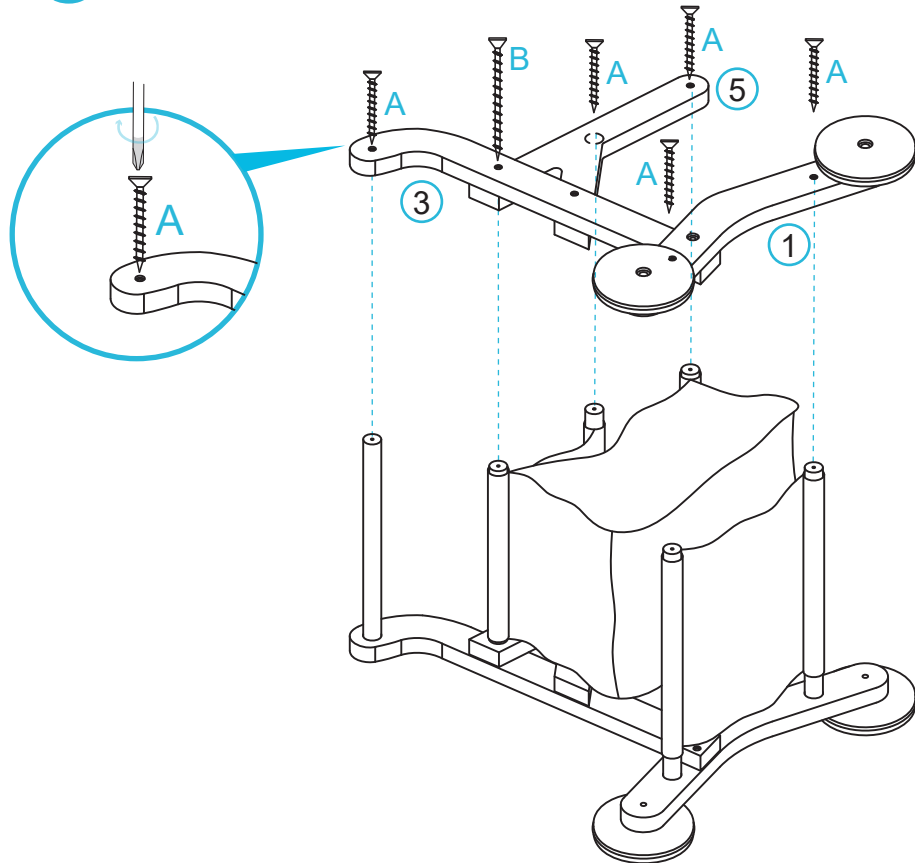
Attach panels [3] and [5] and secure with 1 x dowel (C) and 1 x small screw (A). Tighten with a screwdriver.

Kids Shopping Trolley

Assembly Instructions

mocka

5



Attach panels [3], [5] and [1] to the rest of the unit and secure with 5 x small screws (A) and 1 x large screw (B). Tighten with a screwdriver. You're done, enjoy!